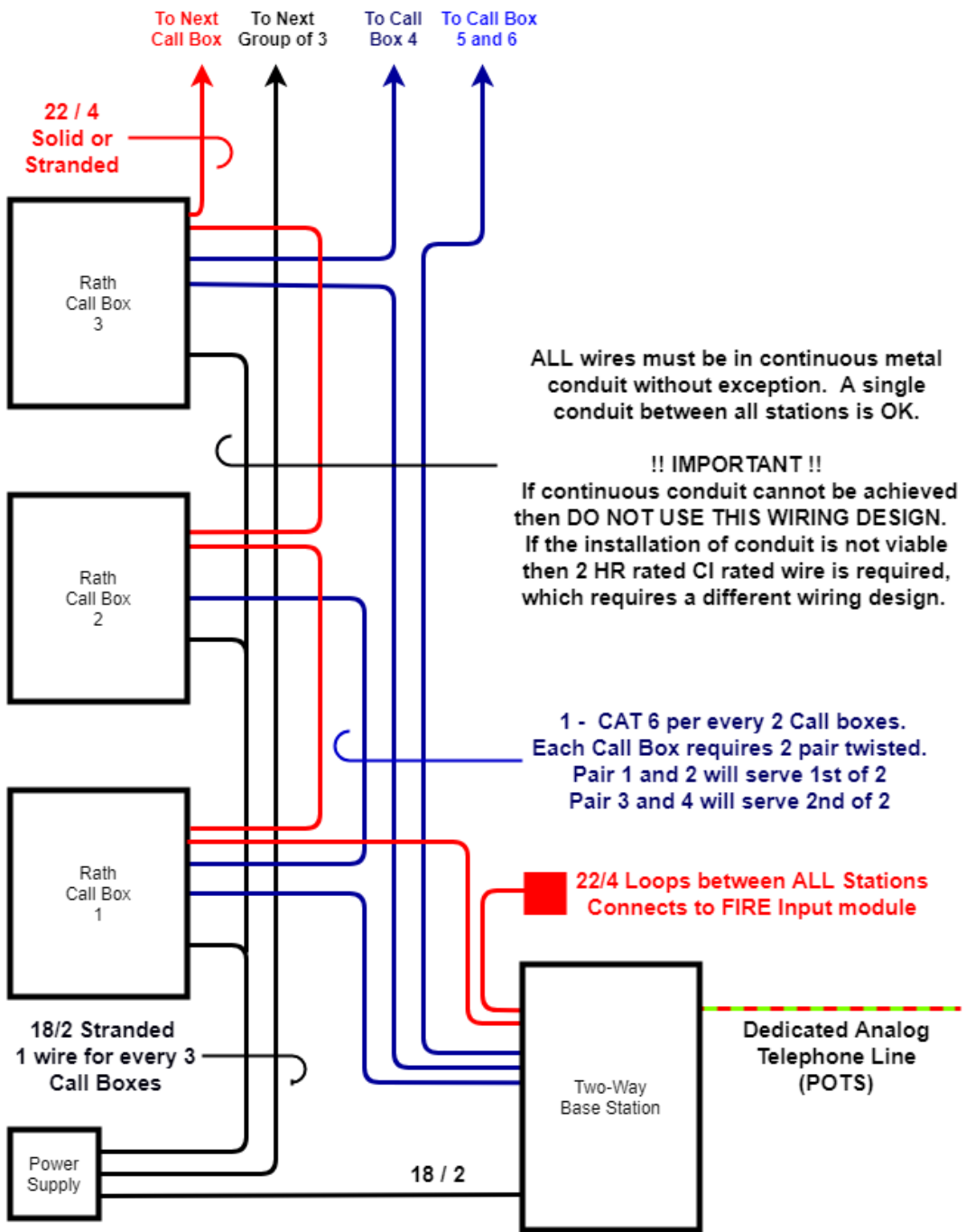


RATH® Two-Way Wiring



ALL wires must be in continuous metal conduit without exception. A single conduit between all stations is OK.

!! IMPORTANT !!
 If continuous conduit cannot be achieved then DO NOT USE THIS WIRING DESIGN. If the installation of conduit is not viable then 2 HR rated CI rated wire is required, which requires a different wiring design.

1 - CAT 6 per every 2 Call boxes.
 Each Call Box requires 2 pair twisted.
 Pair 1 and 2 will serve 1st of 2
 Pair 3 and 4 will serve 2nd of 2

22/4 Loops between ALL Stations
 Connects to FIRE Input module

Mounting Height: Base Station – 60” from floor to center
 Call Boxes – 50” from floor to center