



World Headquarters
12 Clintonville Rd., Northford, CT 06472-1653 USA
203-484-7161 • Fax 203-484-7118
www.notifier.com

BMP-1 Blank Module Plate

Product Installation Document
P/N 51008 Rev A 07/20/01
ECN 01-376

Introduction

The BMP-1 Blank Module Plate covers unused module positions in an annunciator backbox or in a FACP dress panel such as an ADP-4B or DP-DISP. The BMP-1 may also mount an option module, such as an NCM-W, NCM-F, or TM-4. It includes four stand-offs which allow option modules to mount behind the blank front, on the inside of the cabinet.

Note: This dress plate is suitable for modules that do not need to be visible or accessible when the door is closed.

Compatible dress panels and backboxes include:

- Surface-mount backboxes: ABS-1B, ABS-2B, ABS-4D, ABS-ITB
- Flush-mount backboxes: ABF-1B, ABF-2B, ABF-4B
- Semi-flush-mount backboxes: ABF-1DB, ABF-2DB
- Hinged dress panels: ADP-4B, DP-DISP

Installation

Slide the dress plate's two mounting holes over the backbox screws above and below the slot to be covered. Attach the dress plate with hex nuts provided.

Optional Module Installation

Four standoffs and four screws ship with modules that can be mounted to the back of the dress plate. Attach a standoff to each of the screwstuds on the dress plate, align the module's mounting holes on these standoffs, and screw down securely.

Note: Use all mounting holes so that the module is properly grounded.

Note: Modules cannot be mounted in the ADP-4B Dress Panel when a front slot of the CHS-4 or CHS-M2 is occupied, or when either of the two front right positions of the CHS-M2 is occupied. Always be certain there is enough clearance to close the cabinet door when this installation is used.

If using a surface-mount or flush-mount backbox, continue to assemble the backbox as indicated in assembly documentation.

Mount single-space blank plate onto compatible dress panel or backbox trim ring

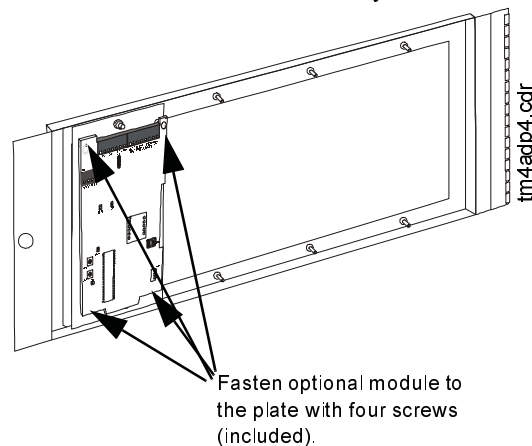
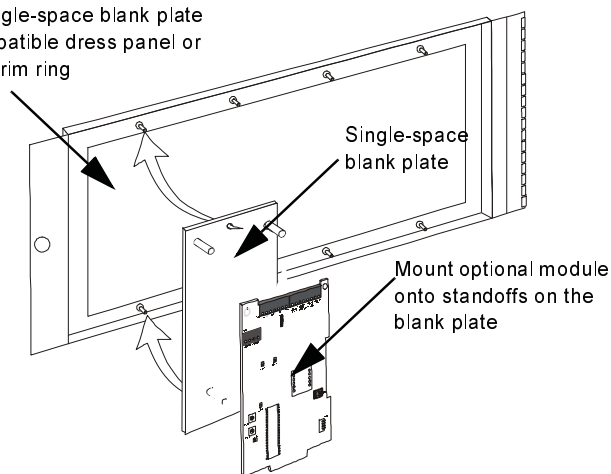


Figure 1 Mounting a Single-space Blank Plate onto the Dress Panel with Optional Module