

English	4
Detector features.....	5
Introduction	5
Safety information	5
Warnings	5
Box contents	6
Accessories	6
Parts identification	6
Ordering detector batteries.....	6
Disassembling the device.....	8
Enrollment	9
Compatible panels.....	9
Enrolling the device	9
Mounting	10
Mounting on a wall.....	11
Mounting on a pole	12
Mounting a second detector in the opposite direction on a pole	13
Device settings.....	15
Switch functions.....	15
Setting the 4-channel beam frequency selector	16
Optical Alignment	18
Alignment angles	18
Aligning the device	18
Testing the device	20
LED Indication	20
Troubleshooting.....	20
Battery saving timer.....	21
Replacing batteries	21
Optional settings	22
Dimensions	23
Specifications.....	23
Compliance with standards	24
Limited Warranty	25
Français	29
Détecteur à faisceau photoélectrique sans fil	29

Caractéristiques du détecteur	29
Introduction	29
Consignes de sécurité.....	29
Avertissements	29
Contenu du carton.....	29
Accessoires	30
Identification des pièces	30
Commandes de piles pour le détecteur.....	30
Démontage de l'appareil.....	31
Enregistrement.....	32
Centrales compatibles	32
Enregistrement de l'appareil.....	32
Montage de l'appareil.....	34
Fixation du détecteur contre un mur.....	35
Fixation du détecteur sur un montant.....	37
Fixation d'un deuxième détecteur sur un montant dans la direction opposée.....	38
Réglages de l'appareil.....	39
Fonctions des interrupteurs	39
Réglage du sélecteur de fréquence de faisceau 4 canaux.....	40
Alignement optique	42
Angles d'alignement	42
Test de l'appareil	44
Voyants LED.....	44
Dépannage	44
Minuterie d'économie des piles.....	45
Remplacement des piles	45
Paramètres facultatifs	46
Dimensions	47
Spécifications	47
Conformité aux normes.....	48
Garantie limitée.....	49
Español.....	53
Detector de haz fotoeléctrico inalámbrico	53
Características del detector	53
Introducción.....	53
Información sobre seguridad.....	53
Contenido de la caja	53
Accesorios	54
Identificación de piezas	54
Pedido de las baterías del detector	54
Desmontaje del dispositivo.....	55

Registro.....	57
Paneles compatibles	57
Registrar el dispositivo	57
Montar el dispositivo	58
Montar un detector en una pared	59
Montar un detector en un poste.....	61
Montar un segundo detector en dirección opuesta en un poste.....	62
Ajustes del dispositivo	63
Componentes del dispositivo.....	63
Funciones del interruptor	63
Ajustar el selector de frecuencia del haz de 4 canales	64
Alineación óptica	66
Ángulos de alineación	66
Alineación del dispositivo	66
Probar el dispositivo.....	68
Indicaciones del LED.....	68
Solución de problemas	68
Temporizador ahorro de batería	70
Sustitución de las baterías	70
Ajustes opcionales	71
Dimensiones	72
Especificaciones	72
Cumplimiento de normativas.....	73
Garantía limitada.....	74
Português	78
Detector de feixe fotoelétrico sem fio.....	78
Recursos do detector	78
Introdução	78
Informação de Segurança.....	78
Conteúdo da caixa	78
Acessórios.....	79
Identificação das peças	79
Pedido de baterias de detectores.....	79
Desmontagem do dispositivo	80
Registro.....	81
Painéis compatíveis.....	81
Registrando o dispositivo	81
Montagem do dispositivo	82
Montagem de um detector em uma parede	83
Montagem de um detector em um poste.....	85

Montagem de um segundo detector na direção oposta em um poste	87
Configurações do dispositivo	88
Funções da chave	88
Configuração do seletor de frequência de feixe de 4 canais.....	89
Alinhamento óptico.....	92
Ângulos de alinhamento	92
Alinhamento do dispositivo.....	92
Teste do dispositivo	94
Indicação do LED	94
Solução de problemas.....	94
Temporizador de economia da bateria	95
Substituição das baterias	95
Configurações opcionais.....	96
Dimensões	97
Especificações	97
Conformidade com os padrões	98
Garantia Limitada.....	99

Detector features

- Battery saving function
- 4-channel beam frequency selector
- IP55 waterproof rating (Not evaluated by UL)
- Environmental disqualification circuit for configuring behavior in adverse weather conditions
- Tamper function
- Outdoor detection range of 200 ft

Introduction

The PG9200AX is a PowerG wireless photoelectric beam detector that provides protection for outdoor perimeters. The beam detector consists of a receiver and a transmitter.

Warning: Failure to follow the instructions provided with this device, or improper handling, may cause death or serious injury.

Safety information

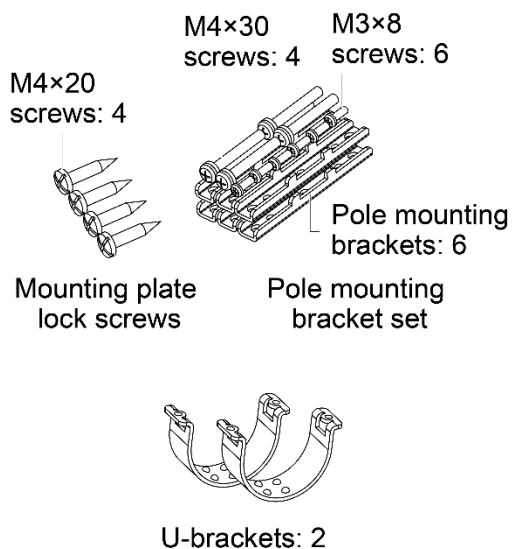
Warnings

- Do not use the product for purposes other than the detection of moving objects such as people and vehicles.
- Do not use the product for unintended purposes, such as activating a shutter, which may cause an accident.
- Do not touch the product when it is wet or touch the device base or power terminals of the product with wet hands. It may cause electric shock.
- Do not pour water over the product. It may cause damage to the devices.
- Never attempt to disassemble or repair the product. It may cause fire or damage to the devices.
- Do not use batteries that have different levels of power remaining, that is, new and used batteries. Not observing these guidelines may result in an explosion, leakage of electrolyte, emission of toxic gases, or other outcomes that may be harmful to people and property.
- When handling batteries, do not recharge, short circuit, crush, disassemble, exceed heat above 100°C (212°F), incinerate, or expose the contents to water. Do not solder directly to the cell. Not observing these guidelines may result in fire, explosion, or severe burn hazard.
- Clean and check the product periodically for safe use. If any problem is found, stop using the product, and have the product repaired by a professional engineer or electrician.

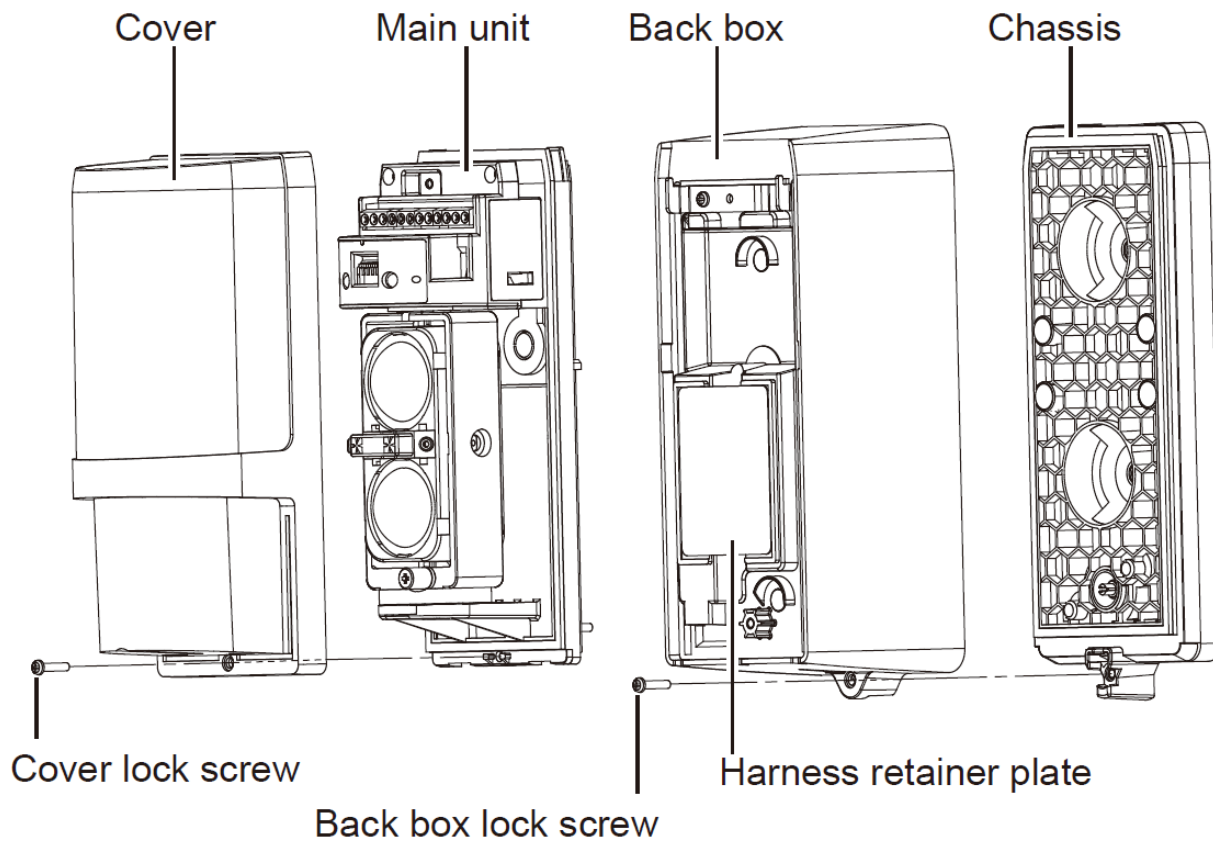
Box contents

Transmitter and receiver modules
Product documentation
Hardware pack

Accessories



Parts identification



Ordering detector batteries

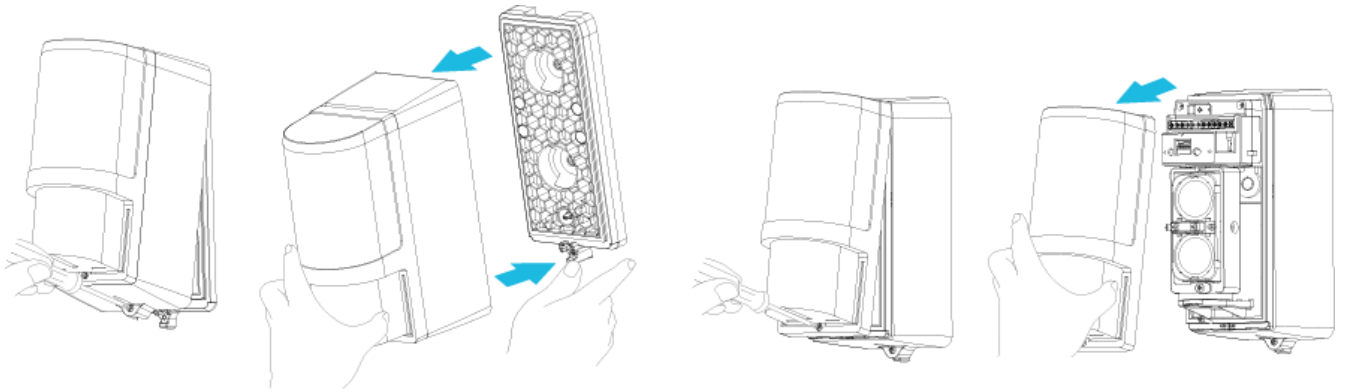
The specified batteries for the device are four (4) LSH20 batteries manufactured by SAFT, two for the transmitter and two for the receiver.

For information about batteries, visit the following website and contact your local SAFT sales representative. See <http://www.saftbatteries.com/battery-search/lsh/>.

Disassembling the device

Disassemble the device before enrolling and mounting.

1. Loosen the back-box lock screw.
2. Press the tab on the bottom of the back box.
3. Loosen the screw at the bottom of the cover.
4. Pull the cover from the chassis.



Note: Complete the Disassembly process for both the transmitter and receiver before mounting the device.

Enrollment

Compatible panels

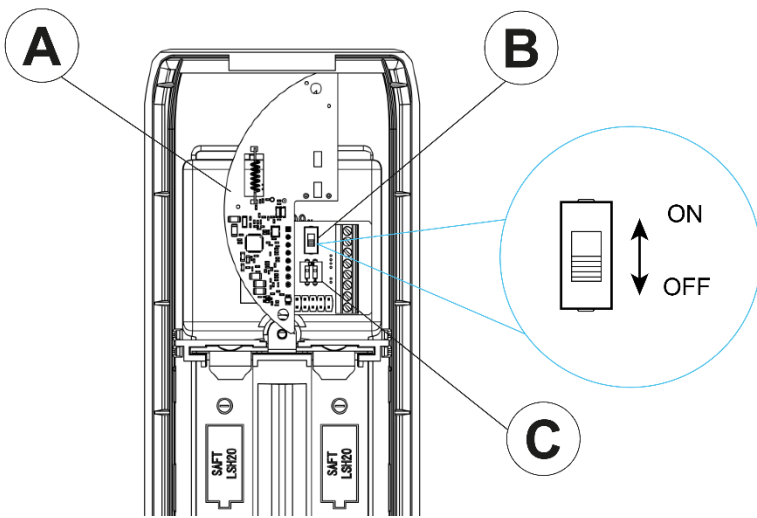
The device is compatible with the following panels:

- PowerSeries NEO (v1.37 and higher)
- PowerSeries Pro (v1.31 and higher)
- IQ2+ (v2.6.2 and higher)
- IQ Hub (v3.0.1 and higher)
- IQ4 (v4.0.1 and higher)

Enrolling the device

The enrollment process begins when you turn on the PowerG module. The PowerG module is a card in the detector.

Note: Enroll both the transmitter and receiver onto the control panel. The modules can be enrolled in any order.

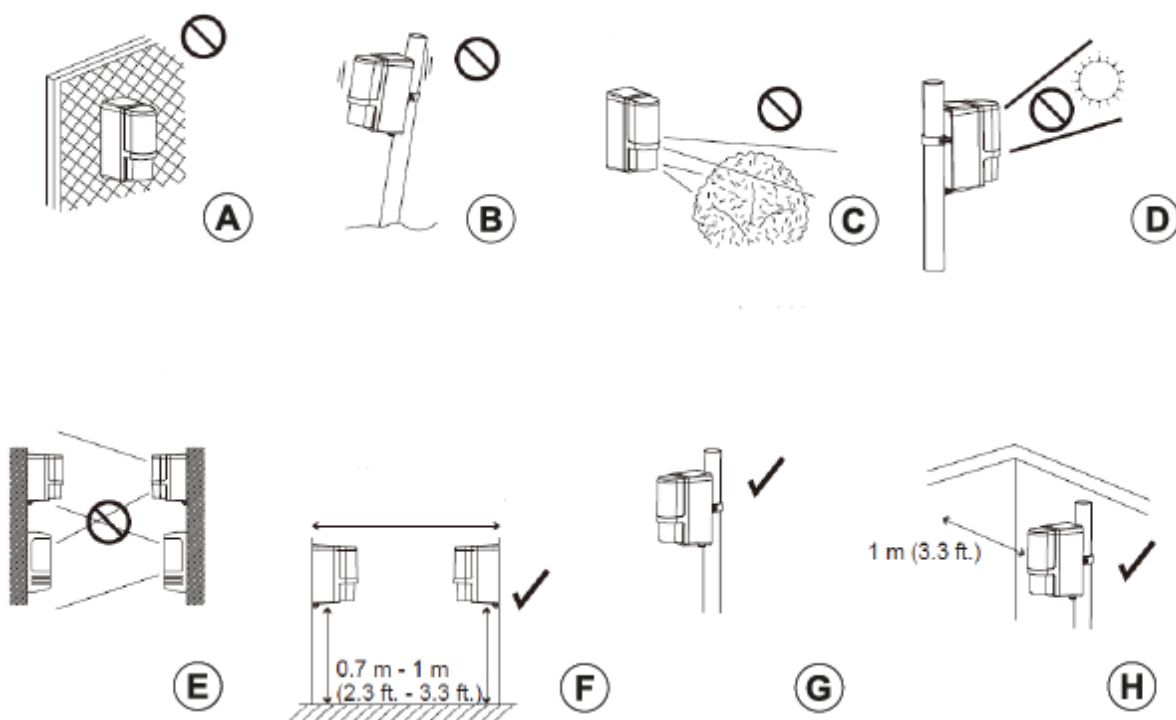


A	PowerG daughter card			
B	PowerG power switch			
C	Configuration dipswitches	Configuration	Dipswitch 1	Dipswitch 2
		Receiver	On	Off
		Transmitter	Off	Off

1. Ensure the control panel is in enrollment mode.
2. Install batteries in the detector.
3. Turn the PowerG module power switch located on the interface board to the ON position. Refer to the control panel installation manual for a complete set of enrollment instructions.
 - If the automatic enrollment procedure fails, refer to the control panel instructions and enroll the device manually.
4. **Important!** Turn the switch to the OFF position and remove the batteries. The batteries will be reinserted after you mount the device.

Note: Complete *Enrolling the device* for both the transmitter and receiver before mounting the device.

Mounting

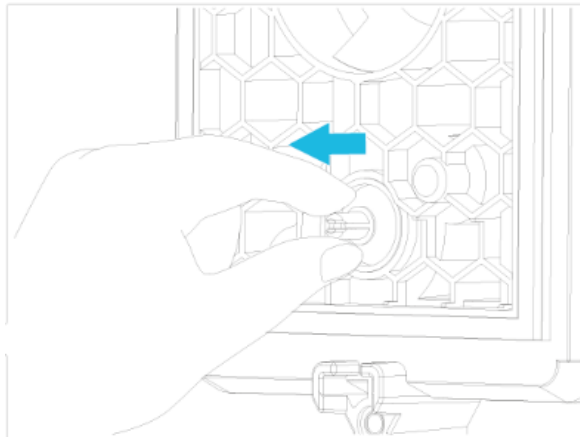


Callout	Description
A	Do not mount the device on an unstable surface
B	Do not mount the device on an unstable pole.
C	Do not mount the device near trees or other objects that may block the beam.
D	Avoid mounting the receiver in direct sunlight. Sunlight can affect receiver performance.
E	Do not mount the device where the infrared beam from a different model can reach the receiver
F	Mount the device at a height between 0.7 m to 1 m (2.3 ft to 3.3 ft)
G	When mounting on a pole, the pole diameter should be 34 - 48 mm (1.34" - 1.89").
H	Mount the device at least 1 m (3.3 ft.) away from a wall or fence that is parallel to the beam.

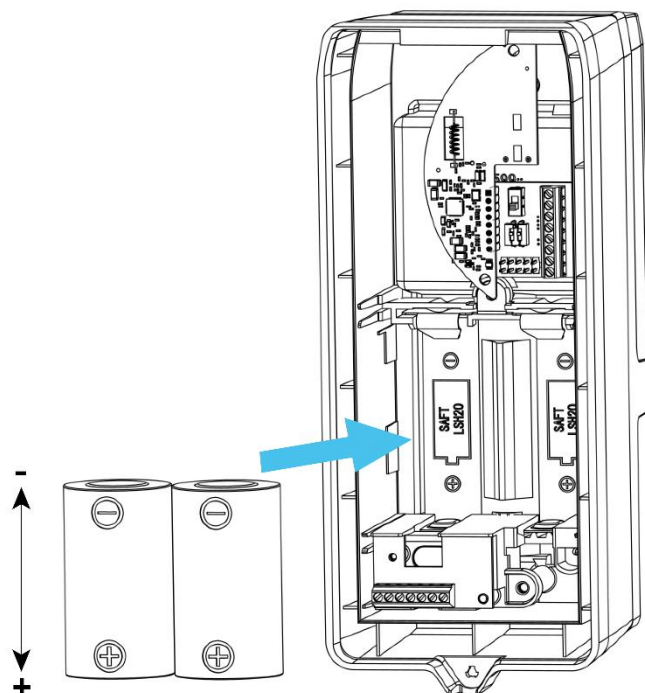
Caution: Completely install all components of the detector to comply with the IP55 standard requirements.

Mounting on a wall

1. Loosen the back-box lock screw.
2. Remove the chassis from the back-box.
3. Use the supplied M4×20 wall mounting screws to fix the chassis to the wall.
4. After mounting the chassis, pick up the tamper bushing with your thumb and index finger.
5. Position the tamper bushing so that it is upright and moves smoothly.



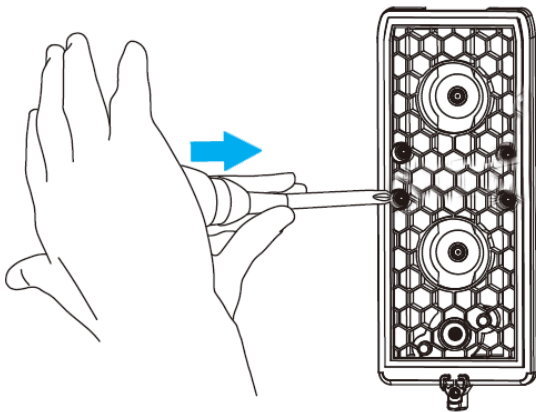
6. Insert two batteries in the battery enclosure within the back-box and set the PowerG module switch to the ON position.



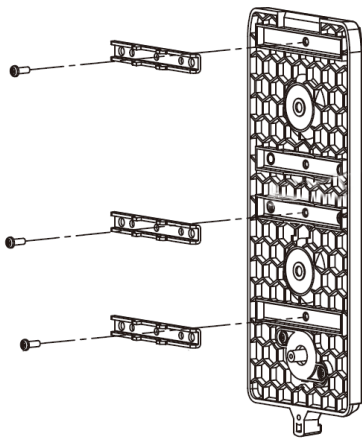
7. Secure the back-box to the chassis on the wall.
8. Tighten the back-box lock screw.

Mounting on a pole

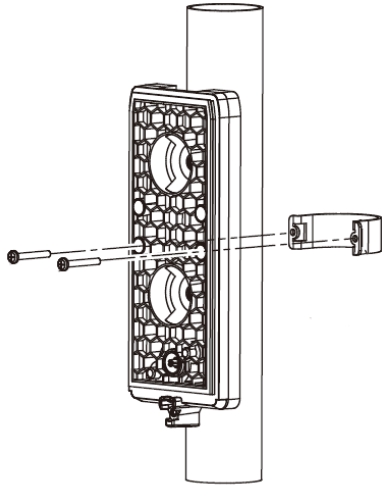
1. Loosen the back-box lock screw.
2. Remove the chassis from the back-box.
3. Using a screwdriver or similar tool, break the knockouts on the chassis.



4. Use the supplied M3 x 8 screws to attach three pole mounting brackets to the chassis.



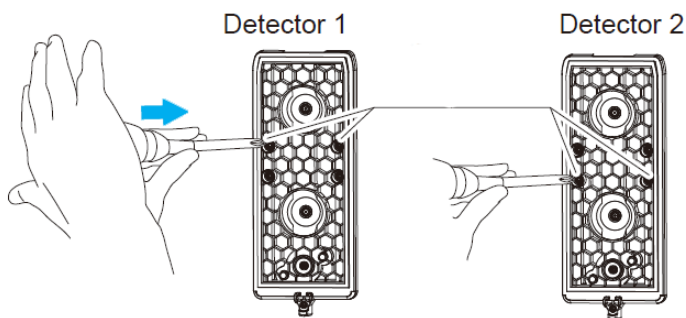
5. Use the supplied M4x30 screws and U bracket to mount the back-box on the pole.



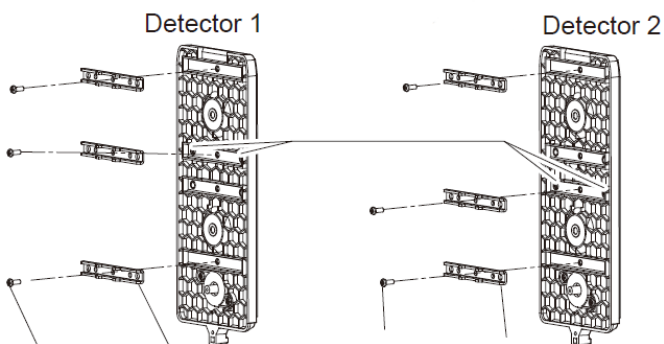
6. Complete steps 4 to 8 from the *Mounting on a wall* section.

Mounting a second detector in the opposite direction on a pole

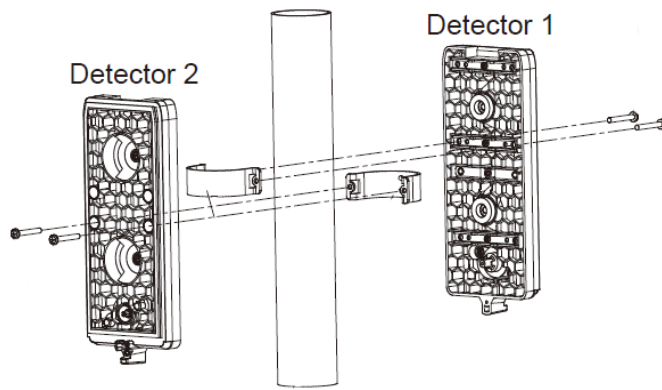
1. Remove the chassis from the back box.
2. Using a screwdriver or similar tool, break the knockouts on the chassis of each detector. Choose a different pair of knockouts for the second detector.



3. Use the supplied M3x8 screws to attach three mounting brackets to the chassis of each detector.

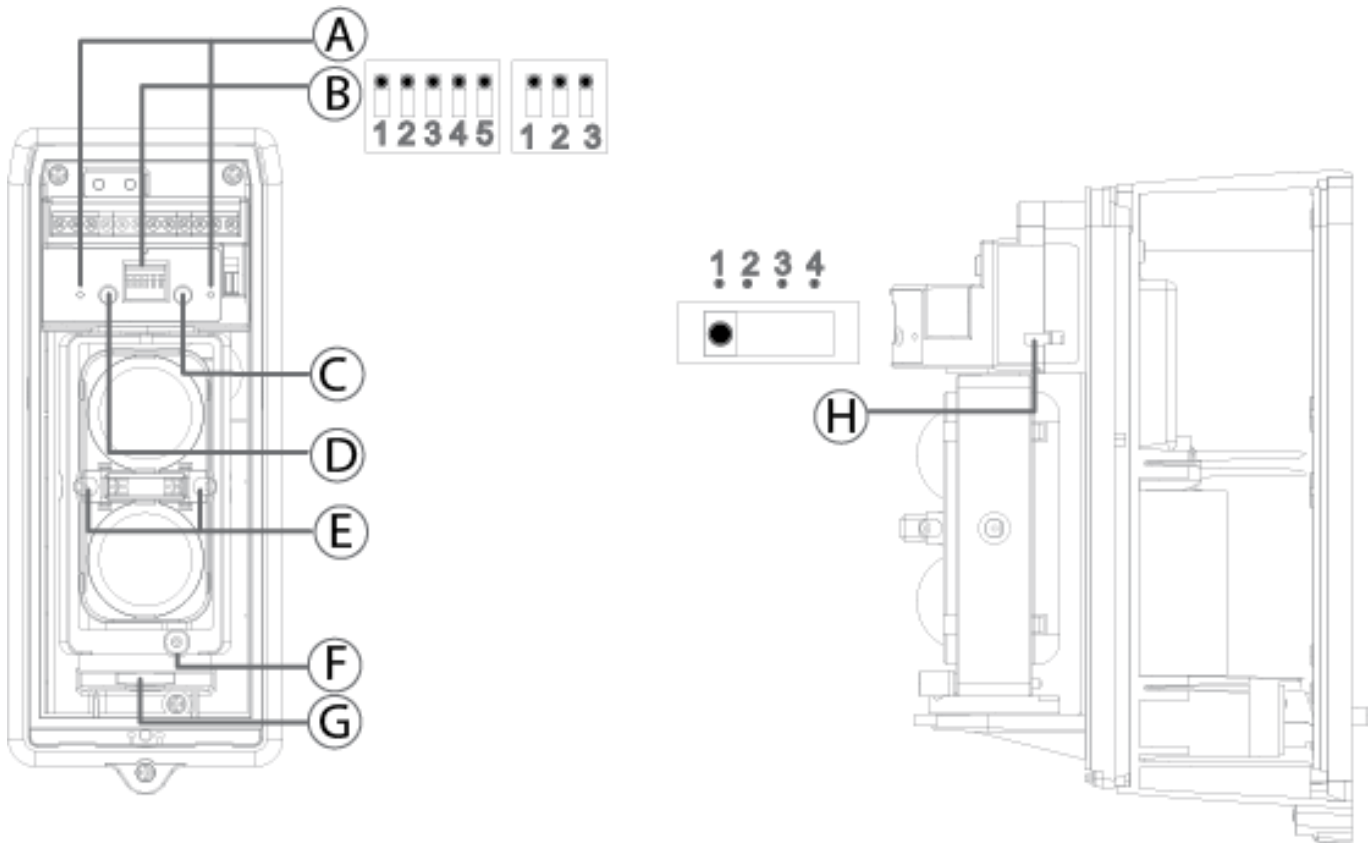


4. Use the supplied M4x30 screws and U-brackets to mount the chassis of each detector to the pole.



5. Complete steps 4 to 8 from the *Mounting on a wall* section for each detector.

Device settings



Callout	Component
A	Monitor jack (receiver only)
B	Switches
C	Receiver: Alarm indicator LED. Transmitter: Power LED
D	Low battery LED
E	View finder
F	Vertical alignment dial
G	Horizontal alignment dial
H	4-channel beam frequency selector

Switch functions

Warning: We do not recommend changing the default settings apart from the Battery saving timer. See *Battery saving timer* for more information. Changing other default settings can cause the device to function incorrectly and increases the chance of failure or false alarms.

Receiver

- 1 and 2: Beam interruption adjustment switch
- 3: Battery saving timer switch
- 4: Not used. Do not change the position of this switch.
- 5: N.C./N.O. selection switch

Transmitter

- 1: Battery saving timer switch
- 2: Not used. Do not change the position of this switch.
- 3: N.C./N.O. selection switch

Setting the 4-channel beam frequency selector

1 2 3 4



The 4-channel beam frequency selector is used to avoid unwanted crosstalk that may occur when using multiple photo beams for long distance or beam stacking applications. To select between 4 separate beam frequencies, use the switch provided.

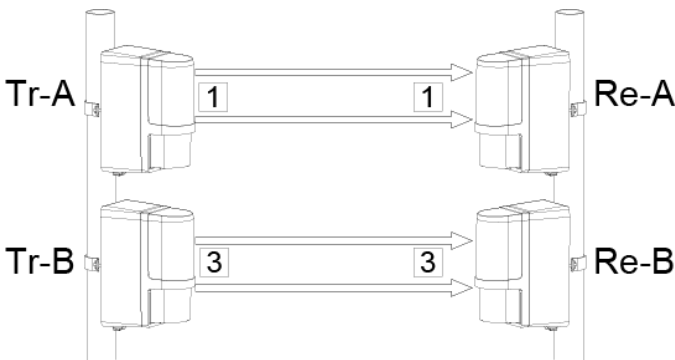
- Make sure the receiver and transmitter that are facing each other are set to the same channel.
- More than double stacked application is not possible.

Note: Always switch the frequencies two channels apart when stacking devices on top of one another. See the following example. The upper device is set on channel 1 while the lower is on channel 3, channels 2 and 4 could have also been used.

a) Double stacked protection

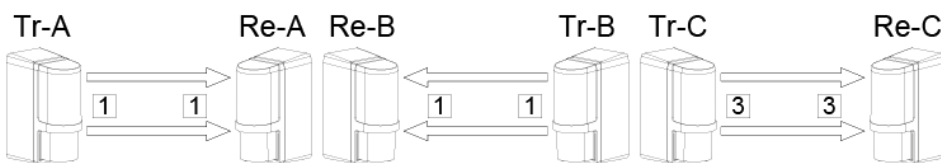
Because receiver B may receive the infrared beam from transmitter A, select the frequencies as shown in the figure. In the figure, each number in the square indicates a channel number.

Key	Component
Tr-A	Transmitter A
Re-A	Receiver A

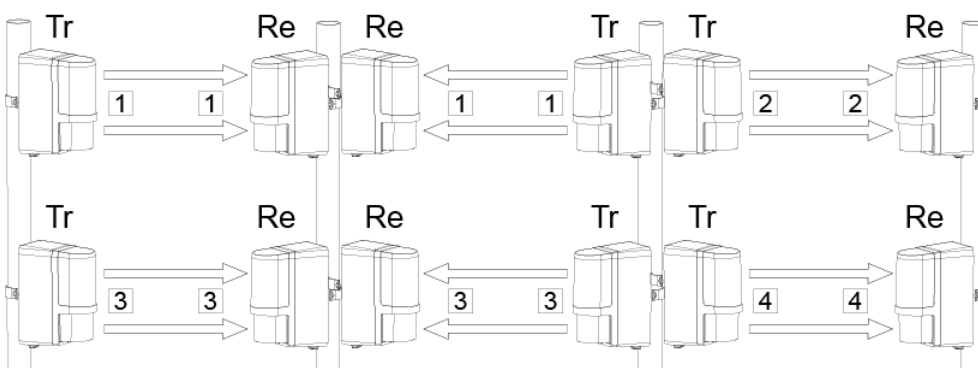


b) Long-distance protection

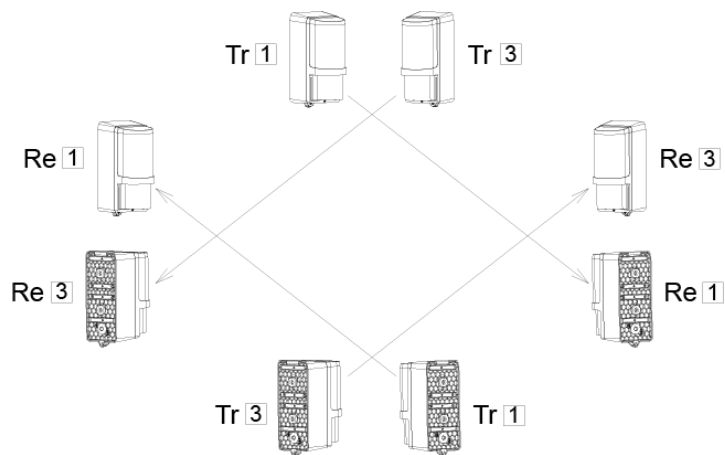
Since Receiver C may receive the infrared beam from Transmitter A, select their frequencies as shown in the figure on the left.



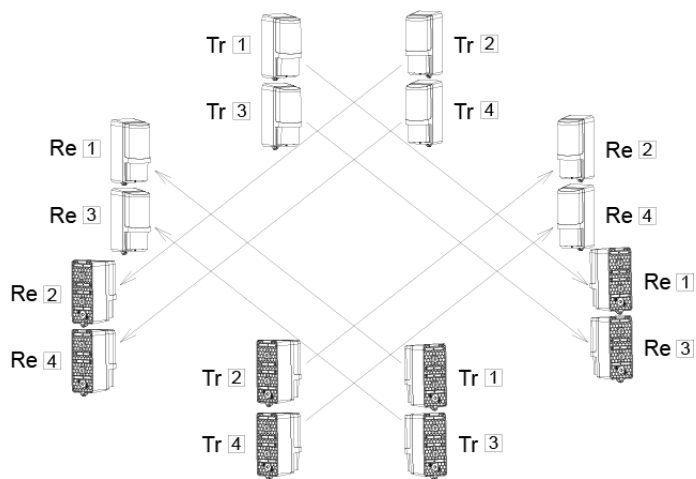
c) Double stacked long-distance protection



d) Perimeter protection



e) Perimeter protection in a two-stack configuration



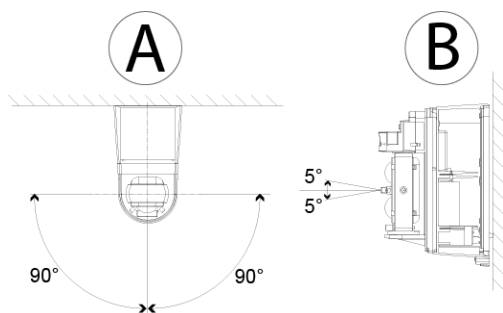
Warning:

- Do not attempt to install this product with any other photoelectric detectors. It may cause the detector to fail or cause a false alarm.

Optical Alignment

After mounting, perform an optical alignment to ensure the device functions reliably.

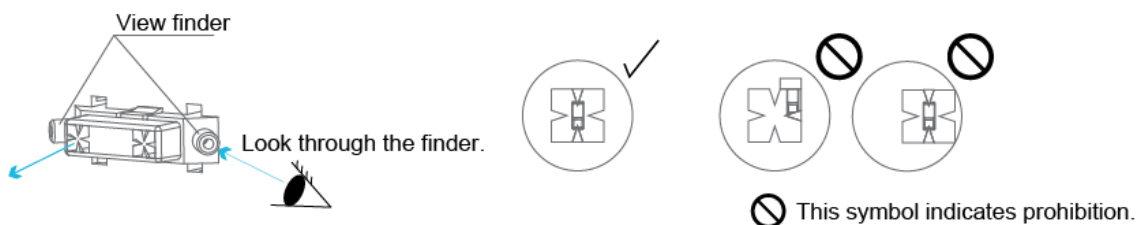
Alignment angles



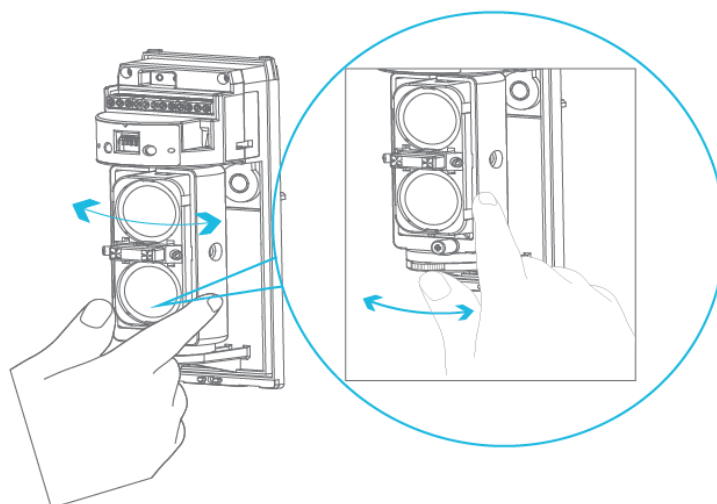
Callout	Component
A	Horizontal alignment angle
B	Vertical alignment angle

Aligning the device

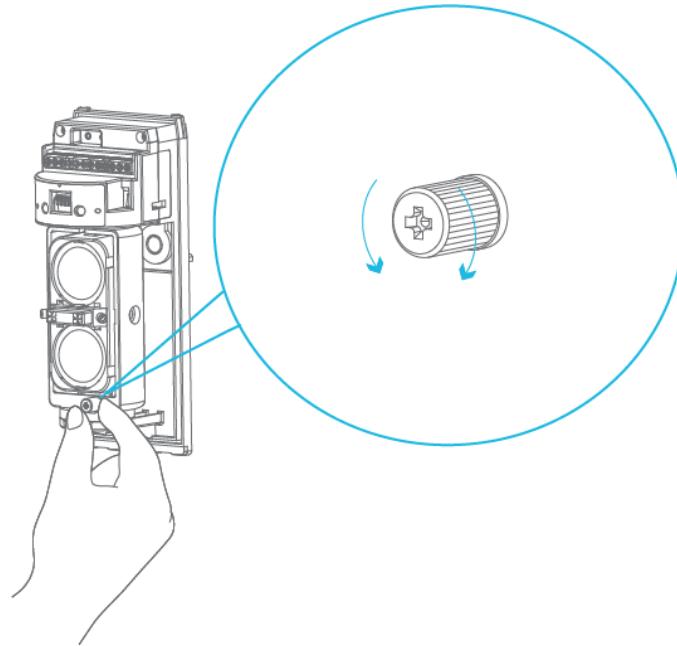
1. Ensure the beam frequency selector positions of the paired transmitter and receiver are the same. See the *4-channel beam frequency selector* section.
2. While looking through the view finder, adjust the horizontal and vertical angles so that the pairing detector is at the center of the sight.



- a. For rough alignment of the horizontal angle, hold and move the lens to the left or right.
For fine alignment of the horizontal angle, turn the horizontal alignment dial.



- b. For fine alignment of the vertical angle, turn the vertical alignment dial with a finger or Phillips screwdriver. Turn the dial clockwise to align the lens upward. Turn the dial counterclockwise to align the lens downward.

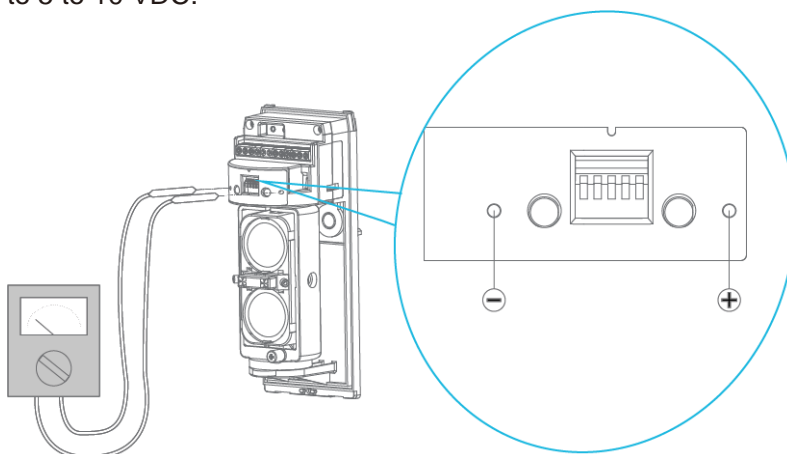


3. Adjust the horizontal and vertical angles while checking the Alarm indicator LED on the pairing receiver.

Alarm indicator LED	Beam not received	Beam received				
	ON (red)	Fast blink	Slow blink	OFF		
Adjustment level	Re-adjust angle			Fair	Good	Excellent
Monitor jack output	0 V		> 1.0 V	> 2.0 V	> 2.5 V	

Note: The Alarm indicator LED is a supporting tool for easy alignment. Perform fine alignment to ensure the maximum output level through the monitor jack.

4. After checking by the alarm indicator, make finer alignment with the voltmeter for both the transmitter and the receiver. Insert each probe of the voltmeter. Set the voltmeter range to 5 to 10 VDC.

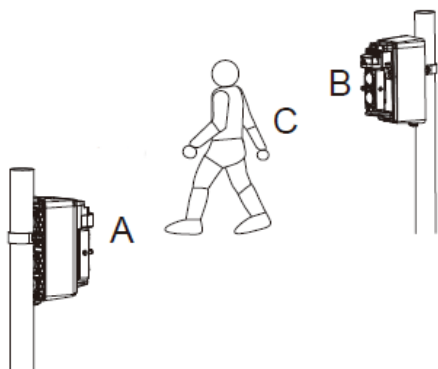


5. Continue the fine alignment until it reaches minimum monitor output of “good”, or more than 2.0 V.

Testing the device

After installation is complete, complete the following steps to test the device is functioning correctly:

1. Ensure the Alarm indicator LED is off. If the LED is on when the beams are not blocked, perform the steps in the *Optical alignment* section again.
2. Ensure the low battery indicator LEDs on both transmitter and receiver are off. If the battery indicator LED is blinking, replace the batteries in the device.
3. Conduct a walk test to check that the Alarm indicator LED on the receiver turns on as the walker interrupts the beams.
Be sure to conduct a walk test at the following three points:
 - A. In front of the transmitter
 - B. In front of the receiver
 - C. At the midpoint between the transmitter and receiver



Installation and alignment are complete when the alarm indicator LED turns on at all three points of the walk test.

4. (Optional) If using, enable the Battery saving timer after completing the walk test. See *Battery saving timer*.

LED Indication

The following table describes the meaning of the LED indications of the device.

Detector status	LED indications
Power ON	The power LED turns ON.
Detection (beam interruption)	The alarm indicator LED turns ON.
Low battery power	The low battery LED blinks.

Troubleshooting

If the alarm indicator LED is off or blinking when the beam is interrupted, complete the following steps:

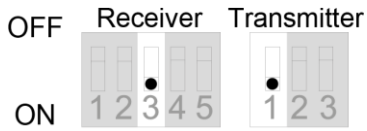
1. Perform the steps in the *Optical alignment* section again.
2. In a multi-detector configuration, the receiver may be receiving the infrared beam from an unrelated transmitter. See *4-channel beam frequency selector* and check the 4-channel beam frequency selector setting.
3. The beam from the transmitter may reach the receiver by reflecting off the floor or wall of a building. Good reflectors of visible light are also good reflectors of infrared beams. Remove the reflective objects around the detector or install the detector in a different place and then align the optical axis again.

Battery saving timer

Enable the battery saving timer after installation to avoid extra battery consumption and multiple alarm events. Enabling the battery saving timer sets a period of time that begins once the detector detects and transmits an event. Only one event transmits during this period, and any other successive events do not transmit until the period ends.

Setting the battery saving timer

The table below indicates the periods for each output when you enable battery saving timer.



Function	Output duration for a single event
Alarm output	2 minutes
DQ output	2 minutes
Low battery output	15 minutes

Notes:

- The battery saving timer must be turned off to effectively test the device.
- The cover must be securely attached to the device to enable battery saving.

Replacing batteries

1. Remove all batteries from the device.
2. Turn the PowerG switch to the OFF position.
3. Replace all batteries.
4. Turn the PowerG switch to the ON position.

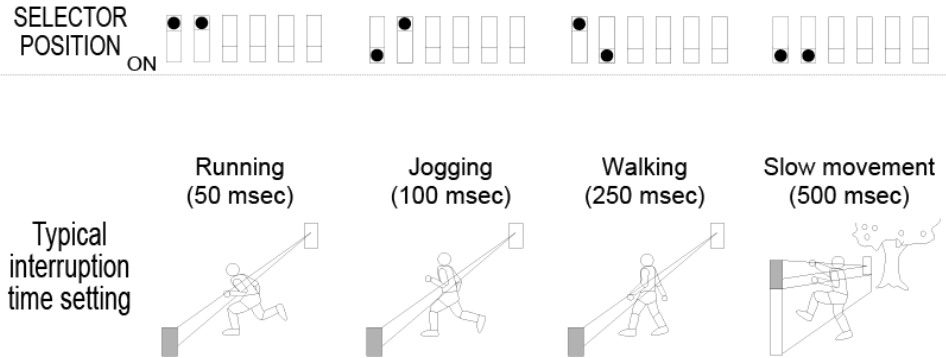
Note: Removing all batteries ensures that the low battery indicator LED resets.

Optional settings

Warning: Changing other default settings can cause the device to function incorrectly and increases the chance of failure or false alarms.

Adjusting the beam interruption time

You can adjust the beam interruption time settings according for the detectors intended target using one of the four selector positions below. The default setting is 50 ms.



D.Q. output (environmental disqualification)

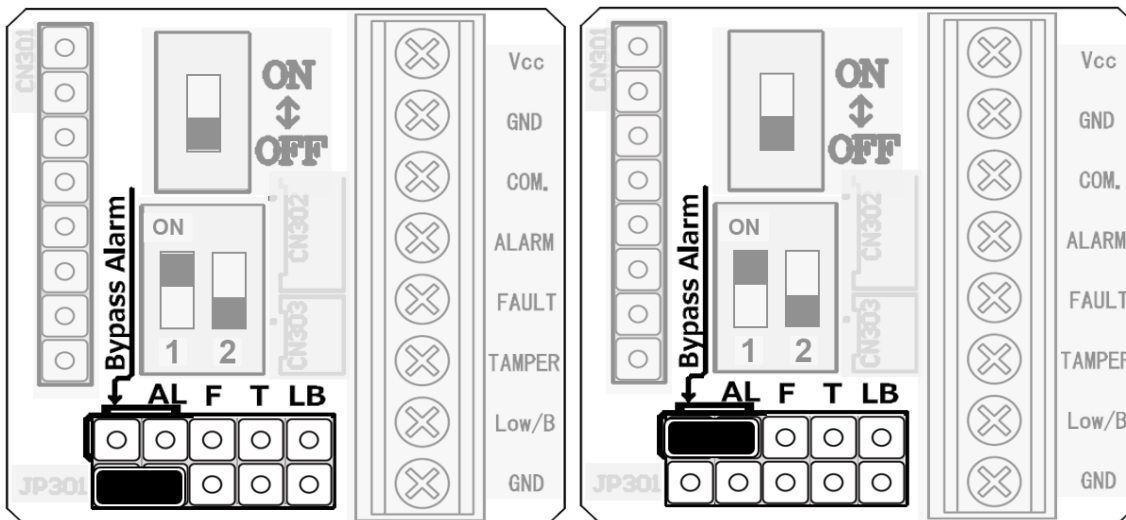
The D.Q. output feature detects when the beam strength is below acceptable levels due to environmental factors such as heavy rain, snow, or fog. If the beam strength is low for more than 20 seconds due to these conditions, a D.Q. output signal sends from the receiver. The signal returns to normal when the beam strength is at acceptable levels for more than two seconds.

Note: D.Q. output is not evaluated by UL.

The D.Q. output signal can be configured for one of the following uses:

- **Separate Output:** Sends a signal to the panel that the detector is not working effectively due to weather conditions.
- **Bypass Alarm:** Bypasses the alarm when the D.Q. output is triggered by adverse weather conditions.

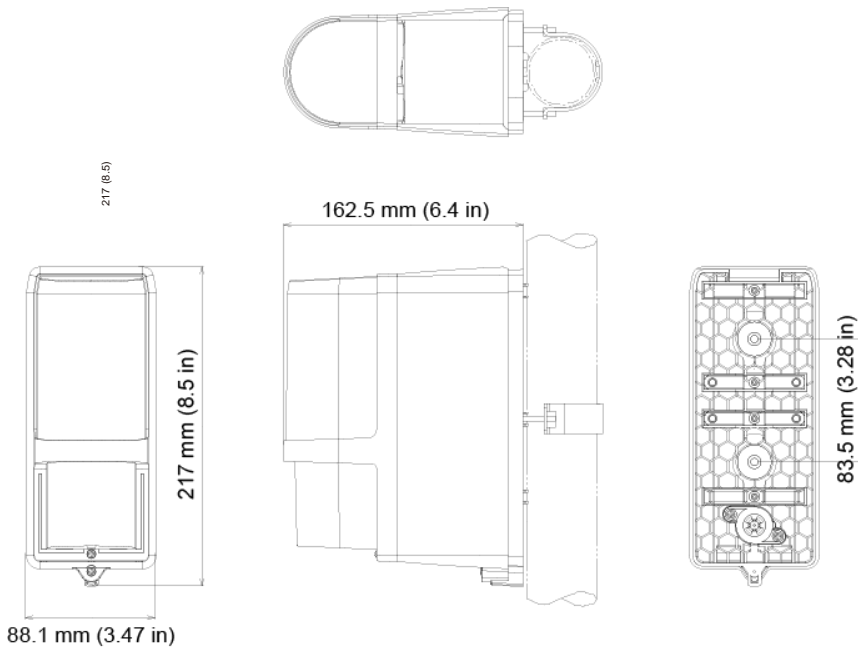
You can configure either option with the following jumper pin settings on interface board of the Receiver:



D.Q. and Alarm Separate Output

Bypass Alarm Setting

Dimensions



Specifications

GENERAL

Range: 200 ft (60 m)

Detection method: Infrared beam interruption detection

Beam frequency selection: 4 channels

Interruption period: Variable between 50, 100, 250, and 500 msec

Power Source: Recommend: 3.6 V, 13.0 Ah LSH20 lithium batteries manufactured by SAFT.

Current draw: 810 μ A T: 490 μ A + R: 320 μ A (at 77 °F (25 °C), 3.6 VDC)

Battery life: Transmitter: Approximately 3 years. Receiver: Approximately 5 years *

INDICATORS

Alarm Indicator (Receiver): Light on - Beam not received. Flickering Light - IR Beams not received sufficiently.
Light off - Beam received.

Power (Transmitter): Power ON: ON, Power OFF: OFF

Low battery: Voltage Reduction: blink

Operating temperature: -4°F to +140°F (-20°C to +60°C)

Operating ambient humidity: 95% (Max.)

Alignment angle: \pm 90° Horizontal, \pm 5° Vertical

Weight: 56.4 oz (1600 g) (total weight of transmitter and receiver, excluding accessories)

Waterproof rating: IP55

Frequency: 912-919 MHz 128/256 second intervals

Specifications and design are subject to change without prior notice.

* The battery life specification applies only when using recommended batteries. See [Ordering Detector batteries](#).
Using other battery types may affect battery life expectancy or product performance.

Note: These devices are designed to detect an intruder and activate an alarm control panel. The devices are part of a complete system, therefore the manufacturer cannot accept responsibility for any damages or other consequences resulting from an intrusion.

Compliance with standards

USA: FCC- CFR 47 Part 15
UL Resi/Com Burg: UL639



Canada: IC RSS – 247
ULC Resi/Com Burg ULC-S306

This device complies with Part 15 of the FCC Rules and with Industry Canada license-exempt RSS standard(s). Operation is subject to the following two conditions: (1) This device may not cause harmful interference, and (2) this device must accept any interference received, including interference that may cause undesired operation. Le présent appareil est conforme aux CNR d'Industrie Canada applicables aux appareils radio exempts de licence. L'exploitation est autorisée aux deux conditions suivantes : (1) l'appareil ne doit pas produire de brouillage, et (2) l'utilisateur de l'appareil doit accepter tout brouillage radioélectrique subi, même si le brouillage est susceptible d'en compromettre le fonctionnement.

To comply with FCC Section 1.1310 for human exposure to radio frequency electromagnetic fields and IC requirements, implement the following instruction: A distance of at least 20cm. between the equipment and all persons should be maintained during the operation of the equipment. Le dispositif doit être placé à une distance d'au moins 20 cm à partir de toutes les personnes au cours de son fonctionnement normal. Les antennes utilisées pour ce produit ne doivent pas être situées ou exploitées conjointement avec une autre antenne ou transmetteur.

NOTE: This equipment has been tested and found to comply with the limits for a Class B digital device, pursuant to part 15 of the FCC Rules. These limits are designed to provide reasonable protection against harmful interference in a residential installation. This equipment generates, uses and can radiate radio frequency energy and, if not installed and used in accordance with the instructions, may cause harmful interference to radio communications. However, there is no guarantee that interference will not occur in a particular installation. If this equipment does cause harmful interference to radio or television reception, which can be determined by turning the equipment off and on, the user is encouraged to try to correct the interference by one or more of the following measures: Reorient or relocate the receiving antenna. Increase the separation between the equipment and receiver. Connect the equipment into an outlet on a circuit different from that to which the receiver is connected. Consult the dealer or an experienced radio/TV technician for help.

- This Class B digital apparatus complies with Canadian ICES-003.
- Cet appareil numérique de la classe B est conforme à la norme NMB-003 du Canada.

WARNING! Changes or modifications to this unit not expressly approved by the party responsible for compliance could void the user's authority to operate the equipment.

UL/ULC Notes

Only model PG9200AX operating in the frequency band 912-919MHz is UL/ULC listed. The PG9200AX has been listed by UL for commercial and residential burglary applications and by ULC for residential burglary applications in accordance with the requirements in the Standards UL 639 and ULC-S306 for Intrusion Detection Units. For UL/ULC installations use these devices only in conjunction with compatible DSC wireless receivers: HSM2HOST9, HS2LCDRF(P)9, HS2ICNRF(P) 9, PG9920, PowerSeries NEO (v1.37 and higher), PowerSeries Pro (v1.31 and higher), IQPanel2 (v2.6 and higher), IQHub (v3.0 and higher), IQPanel4 (v4.0 and higher). After installation verify the product functionality in conjunction with the compatible receiver used.

FCC COMPLIANCE STATEMENT

WARNING! Changes or modifications to this unit not expressly approved by the party responsible for compliance could void the user's authority to operate the equipment.

This device has been tested and found to comply with the limits for a Class B digital device, pursuant to Part 15 of the FCC Rules. These limits are designed to provide reasonable protection against harmful interference in residential installations. This equipment generates uses and can radiate radio frequency energy and, if not installed and used in accordance with the instructions, may cause harmful interference to radio and television reception. However, there is no guarantee that interference will not occur in a particular installation. If this device does cause such interference, which can be verified by turning the device off and on, the user is encouraged to eliminate the interference by one or more of the following measures:

- Re-orient or re-locate the receiving antenna.
- Increase the distance between the device and the receiver.
- Connect the device to an outlet on a circuit different from the one that supplies power to the receiver.
- Consult the dealer or an experienced radio/TV technician.

FCC ID: F5318PG9200AX

Innovation Science and Economic Development Canada (ISED) Statement

This equipment complies with FCC and ISED Canada RF radiation exposure limits set forth for an uncontrolled environment.

This device complies with FCC Rules Part 15 and with ISED Canada license exempt RSS standard(s). Operation is subject to the following two conditions:

(1) This device may not cause harmful interference, and (2) this device must accept any interference that may be received or that may cause undesired operation.

Le présent appareil est conforme aux CNR d'ISED Canada applicables aux appareils radio exempts de licence. L'exploitation est autorisée aux deux conditions suivantes : (1) l'appareil ne doit pas produire de brouillage, et (2) l'utilisateur de l'appareil doit accepter tout brouillage radioélectrique subi, même si le brouillage est susceptible d'en compromettre le fonctionnement.

To comply with FCC Section 1.1310 for human exposure to radio frequency electromagnetic fields and IC requirements, implement the following instruction: A distance of at least 20cm. between the equipment and all persons should be maintained during the operation of the equipment.

Le dispositif doit être placé à une distance d'au moins 20 cm à partir de toutes les personnes au cours de son fonctionnement normal. Les antennes utilisées pour ce produit ne doivent pas être situées ou exploitées conjointement avec une autre antenne ou transmetteur.

IC: 160A-PG9200AX

The term IC before the radio certification number signifies that the Industry Canada technical specifications were met. This Class B digital apparatus complies with Canadian ICES-003. This device complies with RSS-247 of Industry Canada. Operation is subject to the following two conditions: (1) this device may not cause interference, and (2) this device must accept any interference, including interference that may cause undesired operation of the device. Cet appareil numérique de la classe B est conforme à la norme NMB-003 du Canada. Ce dispositif satisfait aux exigences d'Industrie Canada, prescrites dans le document CNR-247. son utilisation est autorisée seulement aux conditions suivantes: (1) il ne doit pas produire de brouillage et (2) l'utilisateur du dispositif doit être prêt à accepter tout brouillage radioélectrique reçu, même si ce brouillage est susceptible de compromettre le fonctionnement du dispositif.

Limited Warranty

Digital Security Controls warrants that for a period of 12 months from the date of purchase, the product shall be free of defects in materials and workmanship under normal use and that in fulfillment of any breach of such warranty, Digital Security Controls shall, at its option, repair or replace the defective equipment upon return of the equipment to its repair depot. This warranty applies only to defects in parts and workmanship and not to damage incurred in shipping or handling, or damage due to causes beyond the control of Digital Security Controls such as lightning, excessive voltage, mechanical shock, water damage, or damage arising out of abuse, alteration or improper application of the equipment.

The foregoing warranty shall apply only to the original buyer, and is and shall be in lieu of any and all other warranties, whether expressed or implied and of all other obligations or liabilities on the part of Digital Security Controls. Digital Security Controls neither assumes responsibility for, nor authorizes any other person purporting to act on its behalf to modify or to change this warranty, nor to assume for it any other warranty or liability concerning this product.

In no event shall Digital Security Controls be liable for any direct, indirect or consequential damages, loss of anticipated profits, loss of time or any other losses incurred by the buyer in connection with the purchase, installation or operation or failure of this product.

Warning: *Digital Security Controls recommends that the entire system be completely tested on a regular basis. However, despite frequent testing, and due to, but not limited to, criminal tampering or electrical disruption, it is possible for this product to fail to perform as expected.*

Important Information: *Changes or modifications not expressly approved by Digital Security Controls could void the user's authority to operate this equipment.*

IMPORTANT - READ CAREFULLY: DSC Software purchased with or without Products and Components is copyrighted and is purchased under the following license terms:

• This End-User License Agreement ("EULA") is a legal agreement between You (the company, individual or entity who acquired the Software and any related Hardware) and Digital Security Controls, a division of Tyco Safety Products Canada Ltd. ("DSC"), the manufacturer of the integrated security systems and the developer of the software

and any related products or components (“HARDWARE”) which You acquired.

- If the DSC software product (“SOFTWARE PRODUCT” or “SOFTWARE”) is intended to be accompanied by HARDWARE, and is NOT accompanied by new HARDWARE, You may not use, copy or install the SOFTWARE PRODUCT. The SOFTWARE PRODUCT includes computer software, and may include associated media, printed materials, and “online” or electronic documentation.

- Any software provided along with the SOFTWARE PRODUCT that is associated with a separate end-user license agreement is licensed to You under the terms of that license agreement. • By installing, copying, downloading, storing, accessing or otherwise using the SOFTWARE PRODUCT, You agree unconditionally to be bound by the terms of this EULA, even if this EULA is deemed to be a modification of any previous arrangement or contract. If You do not agree to the terms of this EULA, DSC is unwilling to license the SOFTWARE PRODUCT to You, and You have no right to use it.

LICENSE

The SOFTWARE PRODUCT is protected by copyright laws and international copyright treaties, as well as other intellectual property laws and treaties. The SOFTWARE PRODUCT is licensed, not sold.

1. GRANT OF LICENSE This EULA grants You the following rights:

(a) Software Installation and Use - For each license You acquire, You may have only one copy of the SOFTWARE PRODUCT installed.

(b) Storage/Network Use - The SOFTWARE PRODUCT may not be installed, accessed, displayed, run, shared or used concurrently on or from different computers, including a workstation, terminal or other digital electronic device (“Device”). In other words, if You have several workstations, You will have to acquire a license for each workstation where the SOFTWARE will be used.

(c) Backup Copy - You may make back-up copies of the SOFTWARE PRODUCT, but You may only have one copy per license installed at any given time. You may use the back-up copy solely for archival purposes. Except as expressly provided in this EULA, You may not otherwise make copies of the SOFTWARE PRODUCT, including the printed materials accompanying the SOFTWARE.

2. DESCRIPTION OF OTHER RIGHTS AND LIMITATIONS

(a) Limitations on Reverse Engineering, Decompilation and Disassembly - You may not reverse engineer, decompile, or disassemble the SOFTWARE PRODUCT, except and only to the extent that such activity is expressly permitted by applicable law notwithstanding this limitation. You may not make any changes or modifications to the Software, without the written permission of an officer of DSC. You may not remove any proprietary notices, marks or labels from the Software Product. You shall institute reasonable measures to ensure compliance with the terms and conditions of this EULA.

(b) Separation of Components - The SOFTWARE PRODUCT is licensed as a single product. Its component parts may not be separated for use on more than one HARDWARE unit.

(c) Single INTEGRATED PRODUCT - If You acquired this SOFTWARE with HARDWARE, then the SOFTWARE PRODUCT is licensed with the HARDWARE as a single integrated product. In this case, the SOFTWARE PRODUCT may only be used with the HARDWARE as set forth in this EULA.

(d) Rental - You may not rent, lease or lend the SOFTWARE PRODUCT. You may not make it available to others or post it on a server or web site.

(e) Software Product Transfer - You may transfer all of Your rights under this EULA only as part of a permanent sale or transfer of the HARDWARE, provided You retain no copies, You transfer all of the SOFTWARE PRODUCT (including all component parts, the media and printed materials, any upgrades and this EULA), and provided the recipient agrees to the terms of this EULA. If the SOFTWARE PRODUCT is an upgrade, any transfer must also include all prior versions of the SOFTWARE PRODUCT.

(f) Termination - Without prejudice to any other rights, DSC may terminate this EULA if You fail to comply with the terms and conditions of this EULA. In such event, You must destroy all copies of the SOFTWARE PRODUCT and all

of its component parts.

(g) Trademarks - This EULA does not grant You any rights in connection with any trademarks or service marks of DSC or its suppliers.

3. COPYRIGHT

All title and intellectual property rights in and to the SOFTWARE PRODUCT (including but not limited to any images, photographs, and text incorporated into the SOFTWARE PRODUCT), the accompanying printed materials, and any copies of the SOFTWARE PRODUCT, are owned by DSC or its suppliers. You may not copy the printed materials accompanying the SOFTWARE PRODUCT. All title and intellectual property rights in and to the content which may be accessed through use of the SOFTWARE PRODUCT are the property of the respective content owner and may be protected by applicable copyright or other intellectual property laws and treaties. This EULA grants You no rights to use such content. All rights not expressly granted under this EULA are reserved by DSC and its suppliers.

4. EXPORT RESTRICTIONS

You agree that You will not export or re-export the SOFTWARE PRODUCT to any country, person, or entity subject to Canadian export restrictions.

5. CHOICE OF LAW

This Software License Agreement is governed by the laws of the Province of Ontario, Canada.

6. ARBITRATION

All disputes arising in connection with this Agreement shall be determined by final and binding arbitration in accordance with the Arbitration Act, and the parties agree to be bound by the arbitrator's decision. The place of arbitration shall be Toronto, Canada, and the language of the arbitration shall be English.

7. LIMITED WARRANTY

(a) NO WARRANTY - DSC PROVIDES THE SOFTWARE "AS IS" WITHOUT WARRANTY. DSC DOES NOT WARRANT THAT THE SOFTWARE WILL MEET YOUR REQUIREMENTS OR THAT OPERATION OF THE SOFTWARE WILL BE UNINTERRUPTED OR ERROR-FREE.

(b) CHANGES IN OPERATING ENVIRONMENT - DSC shall not be responsible for problems caused by changes in the operating characteristics of the HARDWARE, or for problems in the interaction of the SOFTWARE PRODUCT with non-DSC-SOFTWARE or HARDWARE PRODUCTS.

(c) LIMITATION OF LIABILITY; WARRANTY REFLECTS ALLOCATION OF RISK - IN ANY EVENT, IF ANY STATUTE IMPLIES WARRANTIES OR CONDITIONS NOT STATED IN THIS LICENSE AGREEMENT, DSC'S ENTIRE LIABILITY UNDER ANY PROVISION OF THIS LICENSE AGREEMENT SHALL BE LIMITED TO THE GREATER OF THE AMOUNT ACTUALLY PAID BY YOU TO LICENSE THE SOFTWARE PRODUCT AND FIVE CANADIAN DOLLARS (CAD\$5.00). BECAUSE SOME JURISDICTIONS DO NOT ALLOW THE EXCLUSION OR LIMITATION OF LIABILITY FOR CONSEQUENTIAL OR INCIDENTAL DAMAGES, THE ABOVE LIMITATION MAY NOT APPLY TO YOU.

(d) DISCLAIMER OF WARRANTIES - THIS WARRANTY CONTAINS THE ENTIRE WARRANTY AND SHALL BE IN LIEU OF ANY AND ALL OTHER WARRANTIES, WHETHER EXPRESSED OR IMPLIED (INCLUDING ALL IMPLIED WARRANTIES OF MERCHANTABILITY OR FITNESS FOR A PARTICULAR PURPOSE) AND OF ALL OTHER OBLIGATIONS OR LIABILITIES ON THE PART OF DSC. DSC MAKES NO OTHER WARRANTIES. DSC NEITHER ASSUMES NOR AUTHORIZES ANY OTHER PERSON PURPORTING TO ACT ON ITS BEHALF TO MODIFY OR TO CHANGE THIS WARRANTY, NOR TO ASSUME FOR IT ANY OTHER WARRANTY OR LIABILITY CONCERNING THIS SOFTWARE PRODUCT.

(e) EXCLUSIVE REMEDY AND LIMITATION OF WARRANTY - UNDER NO CIRCUMSTANCES SHALL DSC BE LIABLE FOR ANY SPECIAL, INCIDENTAL, CONSEQUENTIAL OR INDIRECT DAMAGES BASED UPON BREACH OF WARRANTY, BREACH OF CONTRACT, NEGLIGENCE, STRICT LIABILITY, OR ANY OTHER LEGAL THEORY. SUCH DAMAGES INCLUDE, BUT ARE NOT LIMITED TO, LOSS OF PROFITS, LOSS OF THE SOFTWARE

PRODUCT OR ANY ASSOCIATED EQUIPMENT, COST OF CAPITAL, COST OF SUBSTITUTE OR REPLACEMENT EQUIPMENT, FACILITIES OR SERVICES, DOWN TIME, PURCHASERS TIME, THE CLAIMS OF THIRD PARTIES, INCLUDING CUSTOMERS, AND INJURY TO PROPERTY.

WARNING: DSC recommends that the entire system be completely tested on a regular basis. However, despite frequent testing, and due to, but not limited to, criminal tampering or electrical disruption, it is possible for this SOFTWARE PRODUCT to fail to perform as expected.

Always ensure you obtain the latest version of the User Guide. Updated versions of this User Guide are available by contacting your distributor.

© 2022 Johnson Controls. All rights reserved. JOHNSON CONTROLS, and DSC are trademarks and/or registered trademarks. Unauthorized use is strictly prohibited.

This Class B digital apparatus complies with Canadian ICES-003. This device complies with RSS-247 of Industry Canada. Operation is subject to the following two conditions: (1) this device may not cause interference, and (2) this device must accept any interference, including interference that may cause undesired operation of the device. Cet appareil numérique de la classe B est conforme à la norme NMB-003 du Canada. Ce dispositif satisfait aux exigences d'Industrie Canada, prescrites dans le document CNR-247. son utilisation est autorisée seulement aux conditions suivantes: (1) il ne doit pas produire de brouillage et (2) l'utilisateur du dispositif doit être prêt à accepter tout brouillage radioélectrique reçu, même si ce brouillage est susceptible de compromettre le fonctionnement du dispositif.

PG9200AX

Détecteur à faisceau photoélectrique sans fil

Caractéristiques du détecteur

- Fonction d'économie des piles
- Sélecteur de fréquence de faisceau 4 canaux
- Indice de protection IP55 (non évalué par UL)
- Circuit de disqualification environnementale (DQ) permettant de configurer le comportement dans les conditions météorologiques difficiles
- Fonction d'autoprotection
- Portée de détection de 60 m (200 ft) à l'extérieur

Introduction

Le détecteur PG9200AX est un modèle à faisceau photoélectrique sans fil PowerG destiné à protéger les périmètres extérieurs. Il se compose d'un récepteur et d'un émetteur.

Attention : Le non-respect des instructions fournies avec cet appareil, ou toute mauvaise manipulation, peut entraîner la mort ou des blessures graves.

Consignes de sécurité

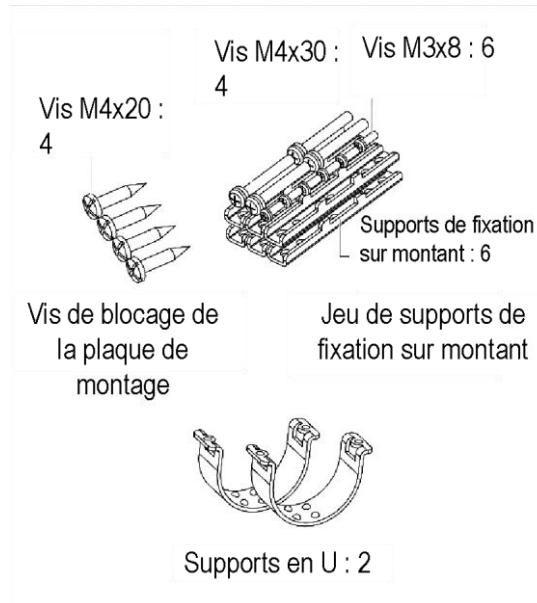
Avertissements

- Ne pas utiliser le produit à d'autres fins que la détection d'objets en mouvement tels que des personnes et des véhicules.
- Ne pas utiliser le produit à des fins auxquelles il n'est pas destiné, telles que l'activation d'un volet roulant, ce qui pourrait provoquer un accident.
- Ne pas toucher le produit s'il est mouillé ni son socle ou ses bornes d'alimentation avec des mains mouillées, car cela pourrait provoquer un choc électrique.
- Ne pas verser d'eau sur le produit, car cela pourrait endommager les appareils.
- Ne jamais tenter de démonter ou de réparer le produit, car cela pourrait provoquer un incendie ou endommager les appareils.
- Ne pas utiliser des piles ayant des niveaux de puissance restante différents, telles qu'une neuve et une usagée. Le non-respect de ces consignes peut entraîner une explosion, une fuite d'électrolyte, des émissions de gaz toxiques ou d'autres conséquences potentiellement dangereuses pour les personnes et les biens matériels.
- Lors de leur manipulation, les piles ne doivent pas être rechargées, court-circuitées, broyées, démontées, chauffées au-delà de 100 °C (212 °F), incinérées ou voir leur contenu exposé à l'eau. Ne pas souder directement à l'élément de la pile. Le non-respect de ces consignes peut entraîner des risques d'incendie, d'explosion ou de brûlures graves.
- Pour un usage en toute sécurité, nettoyer et vérifier le produit à intervalle régulier. En cas de problème, cesser d'utiliser le produit et l'envoyer en réparation chez un technicien ou un électricien professionnel.

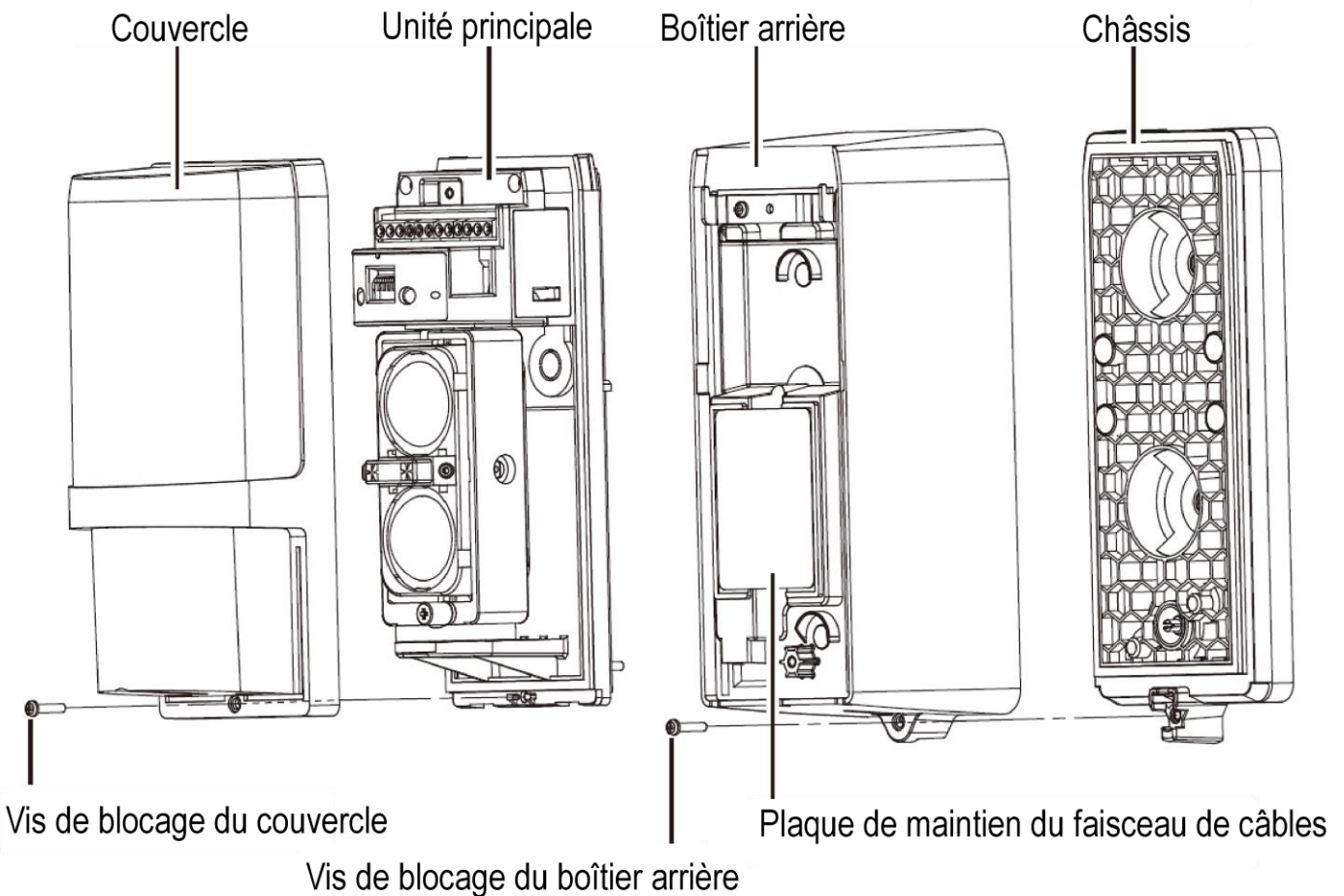
Contenu du carton

- Modules émetteur et récepteur
- Documentation du produit
- Sachet de quincaillerie

Accessoires



Identification des pièces



Commandes de piles pour le détecteur

L'appareil fonctionne au moyen de quatre (4) piles LSH20 fabriquées par SAFT, deux pour l'émetteur et deux pour le récepteur.

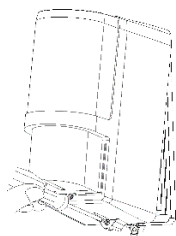
Pour des informations sur les piles, consultez le site Web suivant et contactez le représentant commercial SAFT de votre région. Voir <https://www.saftbatteries.com/products-solutions/products/lsh-lsp>.

Démontage de l'appareil

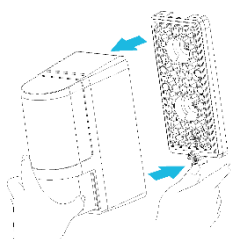
Remarque : Avant de monter l'appareil, suivez la procédure de démontage de l'émetteur et du récepteur.

Démontez l'appareil avant de l'enregistrer et de l'installer.

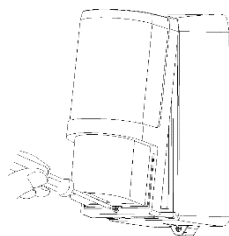
1. Desserrez la vis de blocage du boîtier arrière.



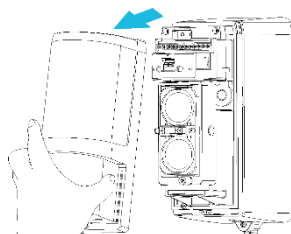
2. Appuyez sur la languette située sur le fond du boîtier arrière.



3. Desserrez la vis située sur le fond du couvercle.



4. Retirez le couvercle du châssis.



Enregistrement

Centrales compatibles

L'appareil est compatible avec les centrales suivantes :

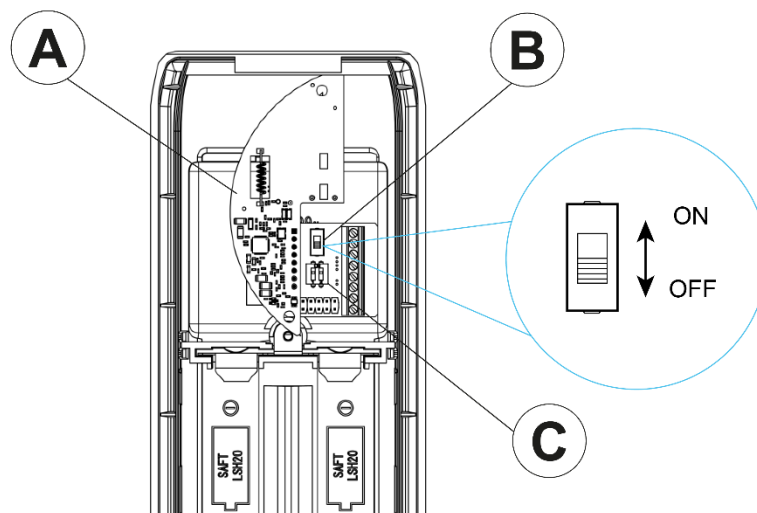
- PowerSeries NEO (v1.37 et ultérieures)
- PowerSeries Pro (v1.31 et ultérieures)
- IQ2+ (v2.6.2 et ultérieures)
- IQ Hub (v3.0.1 et ultérieures)
- IQ4 (v4.0.1 et ultérieures)

Enregistrement de l'appareil

Le processus d'enregistrement débute au moment où le module PowerG est mis sous tension. Le module PowerG est une carte installée dans le détecteur.

Vous devez enregistrer l'émetteur et le récepteur dans la centrale d'alarme. L'ordre d'enregistrement des modules n'a pas d'importance.

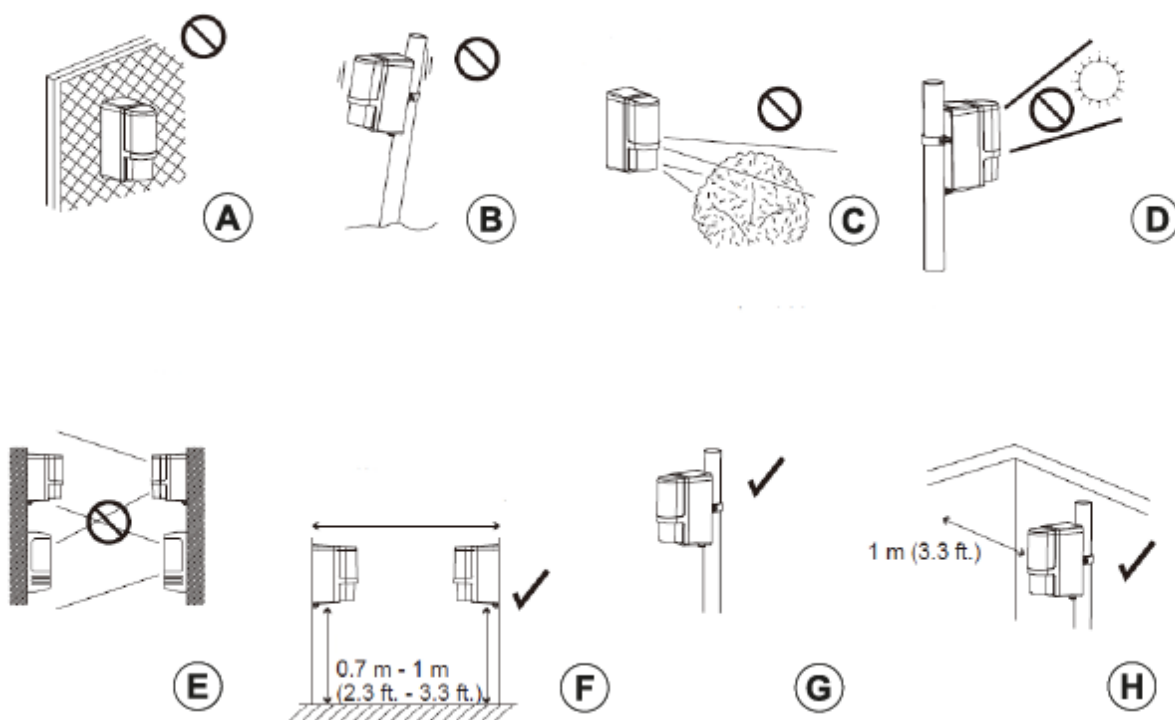
Remarque : Avant de monter l'appareil, suivez la procédure *Enregistrement de l'appareil* pour l'émetteur et le récepteur.



A	Carte fille PowerG			
B	Interrupteur d'alimentation PowerG			
C	Commutateurs DIP de configuration	Configuration	Commutateur DIP 1	Commutateur DIP 2
		Récepteur	Marche	Arrêt
		Émetteur	Arrêt	Arrêt

1. Vérifiez que la centrale d'alarme est en mode d'enregistrement.
2. Installez les piles dans le détecteur.
3. Mettez en position de marche l'interrupteur d'alimentation du module PowerG situé sur la carte d'interface. Pour des instructions d'enregistrement complètes, consultez le manuel d'installation de la centrale d'alarme.
 - a. En cas d'échec de la procédure d'enregistrement automatique, reportez-vous aux instructions de la centrale et enregistrez l'appareil manuellement.
4. **Important !** Mettez l'interrupteur en position d'arrêt et retirez les piles. Remettez les piles en place une fois l'appareil monté.

Montage de l'appareil

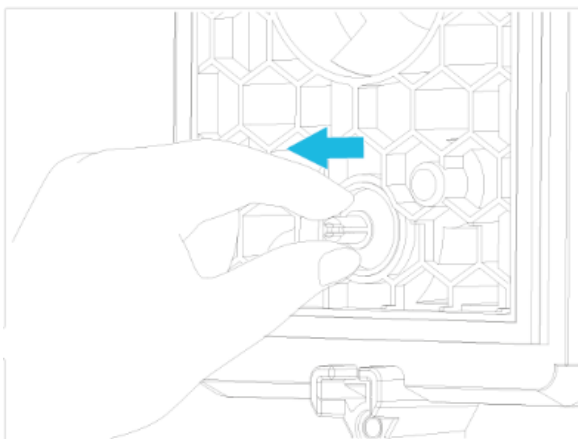


Légende	Description
A	Ne montez pas l'appareil sur une surface instable.
B	Ne montez pas l'appareil sur un montant instable.
C	Ne montez pas l'appareil à proximité d'arbres ou d'autres objets pouvant bloquer le faisceau.
D	Évitez d'exposer le récepteur aux rayons directs du soleil, qui risquent de nuire à ses performances.
E	N'installez pas l'appareil à un endroit où le faisceau infrarouge d'un autre modèle peut atteindre le récepteur.
F	Montez l'appareil à une hauteur comprise entre 0,7 m et 1 m (2,3 ft à 3,3 ft).
G	Si vous fixez l'appareil à un montant, le diamètre du montant doit être compris entre 34 et 48 mm (1,34" et 1,89").
H	Installez l'appareil à 1 m (3,3 ft) minimum d'un mur ou d'une clôture parallèle au faisceau.

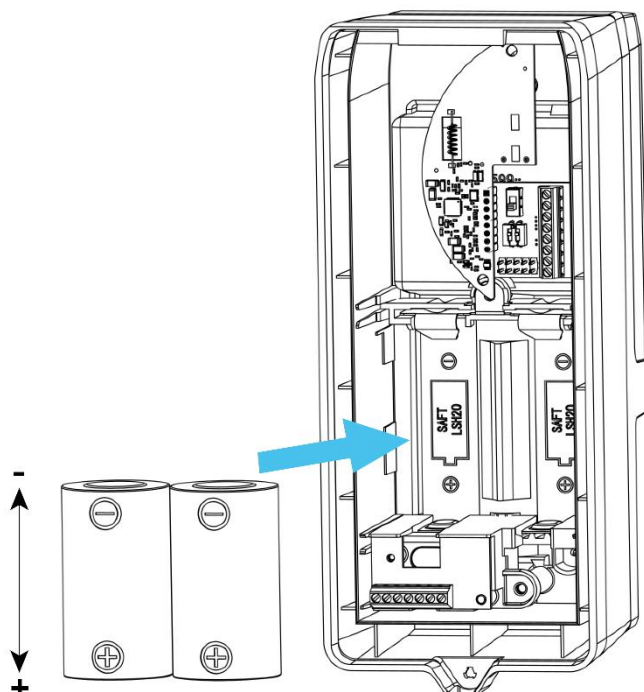
Avertissement : Vous devez entièrement installer tous les composants du détecteur pour respecter les exigences de la norme IP55.

Fixation du détecteur contre un mur

1. Desserrez la vis de blocage du boîtier arrière.
2. Retirez le châssis du boîtier arrière.
3. À l'aide des vis de montage M4×20 fournies, fixez le châssis au mur.
4. Une fois le châssis en place, saisissez la douille prévue pour l'autoprotection entre le pouce et l'index.
5. Placez la douille afin qu'elle soit bien droite et facile à manœuvrer.



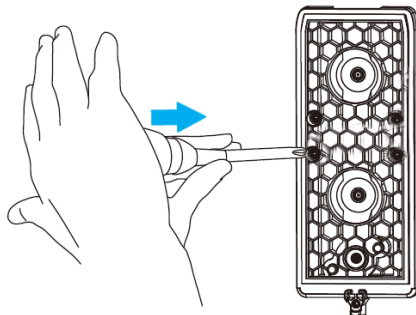
6. Insérez deux piles à l'emplacement prévu dans le boîtier arrière et réglez l'interrupteur du module PowerG en position de marche.



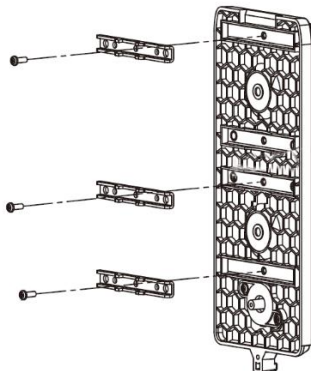
7. Fixez le boîtier arrière au châssis installé contre le mur.
8. Serrez la vis de blocage du boîtier arrière.

Fixation du détecteur sur un montant

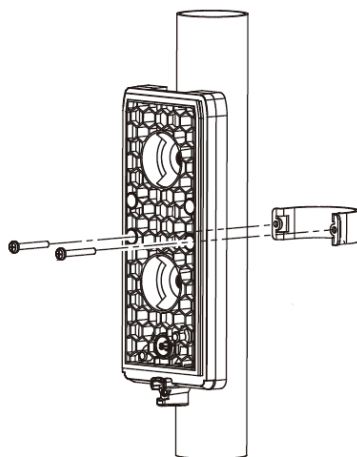
1. Desserrez la vis de blocage du boîtier arrière.
2. Retirez le châssis du boîtier arrière.
3. À l'aide d'un tournevis ou d'un outil similaire, ouvrez les entrées défonçables prévues sur le châssis.



4. À l'aide des vis M3x8 fournies, fixez trois supports de montage au châssis.



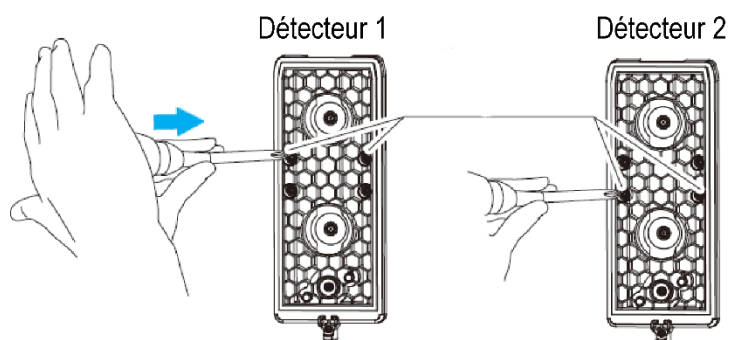
5. À l'aide des vis M4x30 et du support en U fournis, fixez le châssis au montant.



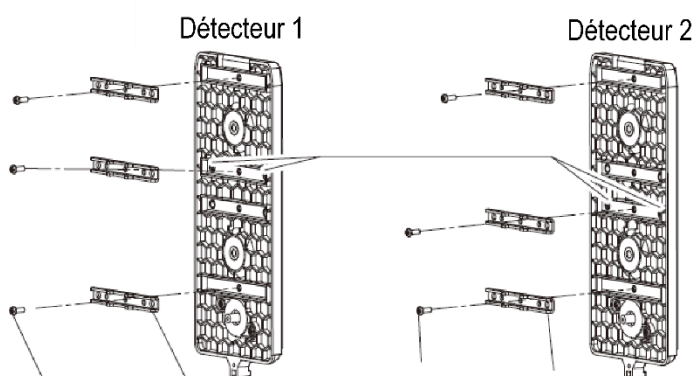
6. Effectuez les étapes 4 à 8 de la section *Fixation du détecteur contre un mur*.

Fixation d'un deuxième détecteur sur un montant dans la direction opposée

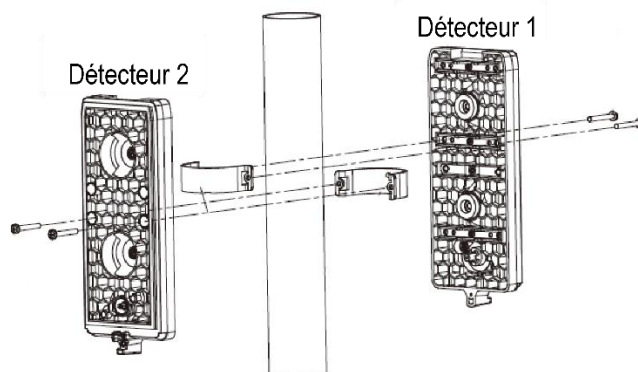
1. Retirez le châssis du boîtier arrière.
2. À l'aide d'un tournevis ou d'un outil similaire, ouvrez les entrées défonçables prévues sur le châssis de chaque détecteur. Choisissez une autre paire d'entrées défonçables pour le deuxième détecteur.



3. À l'aide des vis M3x8 fournies, fixez trois supports de montage au châssis de chaque détecteur.



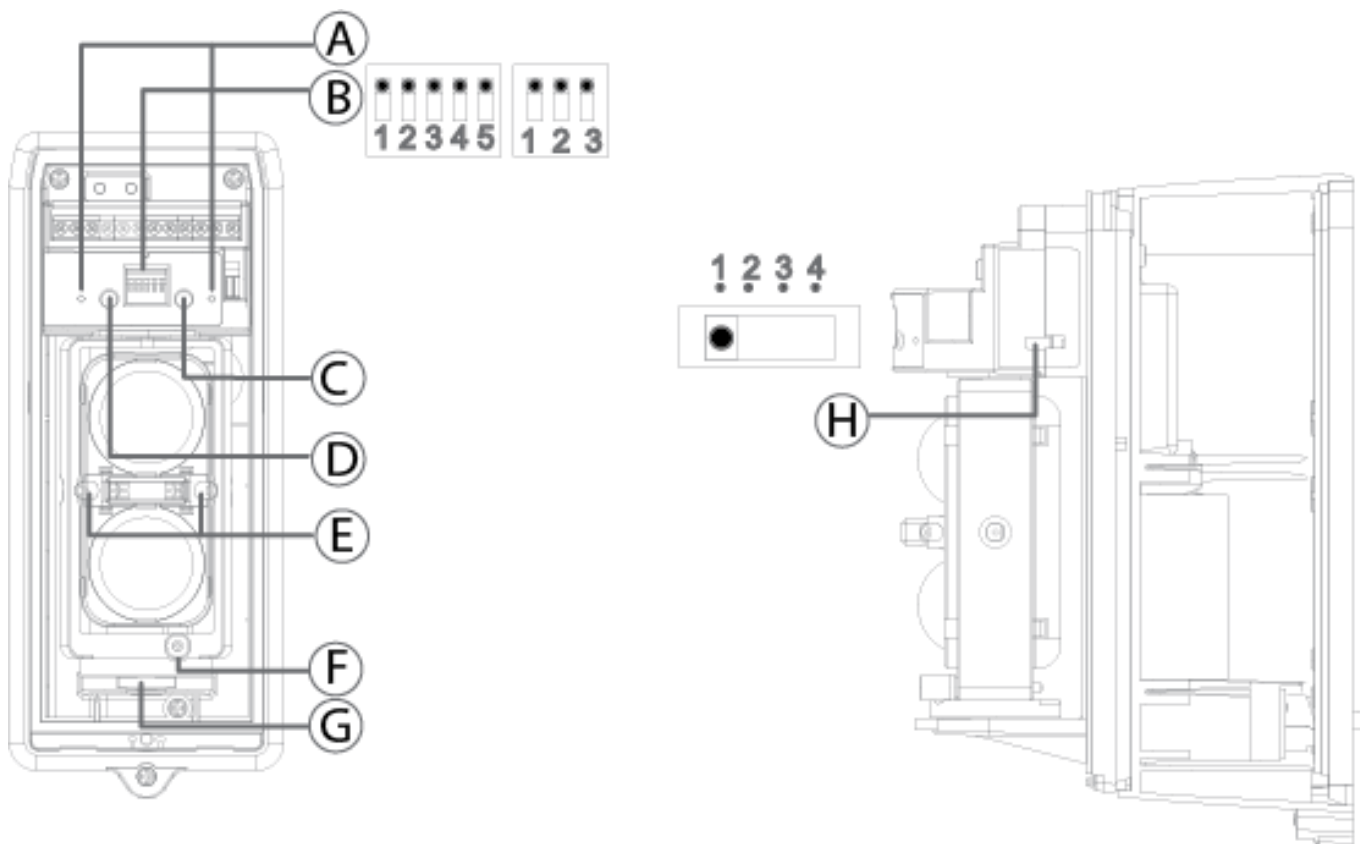
4. À l'aide des vis M4x30 et des supports en U fournis, fixez le châssis de chaque détecteur au montant.



5. Effectuez les étapes 4 à 8 de la section *Fixation du détecteur contre un mur* pour chaque détecteur.

Réglages de l'appareil

Composants de l'appareil



Légende	Composant
A	Sortie de contrôle (récepteur uniquement)
B	Interrupteurs
C	Récepteur : voyant LED d'alarme. Émetteur : voyant LED d'alimentation
D	Voyant LED de pile faible
E	Visueur
F	Bouton d'alignement vertical
G	Bouton d'alignement horizontal
H	Sélecteur de fréquence de faisceau 4 canaux

Fonctions des interrupteurs

Attention : Ne modifiez pas les réglages par défaut à l'exception de la minuterie d'économie des piles. Pour plus d'informations, voir la section *Minuterie d'économie des piles*. En modifiant d'autres réglages par défaut, vous risquez d'entraîner des dysfonctionnements de l'appareil et d'augmenter les défaillances ou les fausses alarmes.

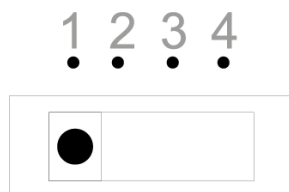
Récepteur

- 1 et 2 : Interrupteur de réglage de l'interruption de faisceau
- 3 : Interrupteur de la minuterie d'économie des piles
- 4 : Inutilisé. Ne modifiez pas la position de cet interrupteur.
- 5 : Sélecteur normalement fermé/ouvert (N.F./N.O.)

Émetteur

- 1: Interrupteur de la minuterie d'économie des piles
- 2 : Inutilisé. Ne modifiez pas la position de cet interrupteur.
- 3 : Sélecteur normalement fermé/ouvert (N.F./N.O.)

Réglage du sélecteur de fréquence de faisceau 4 canaux



Le sélecteur de fréquence de faisceau 4 canaux permet d'éviter les phénomènes de diaphonie indésirables pouvant survenir en cas d'utilisation de plusieurs faisceaux photoélectriques dans des applications longue portée ou d'empilement de faisceaux. Pour sélectionner 4 fréquences de faisceau distinctes, utilisez l'interrupteur prévu.

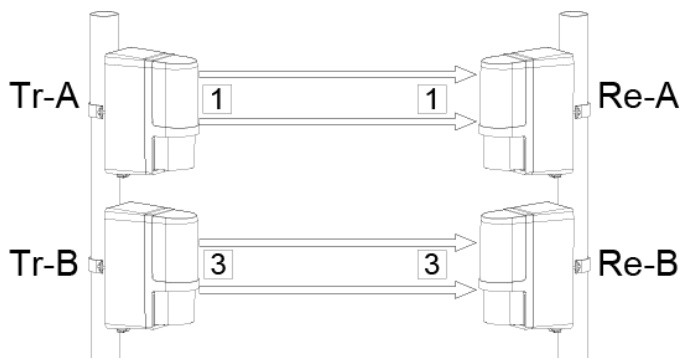
- Vérifiez que le récepteur et l'émetteur qui se font face sont réglés sur le même canal.
- Il n'est pas possible d'utiliser cet appareil pour une application à plus d'un empilement à double niveau.

Remarque : Alternez toujours les fréquences de deux canaux d'écart lors de l'empilement d'appareils l'un sur l'autre. Reportez-vous à l'exemple suivant. L'appareil du haut est réglé sur la canal 1, tandis que celui du bas est réglé sur le canal 3; les canaux 2 et 4 auraient également pu être utilisés.

f) Protection à double niveau d'empilement

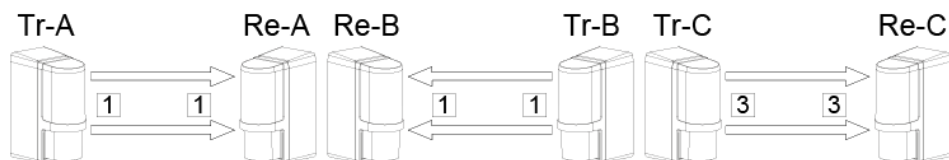
Le récepteur B peut recevoir le faisceau infrarouge de l'émetteur A ; sélectionnez les fréquences comme indiqué sur la figure. Sur la figure, chaque chiffre encadré correspond à un numéro de canal.

Légende	Composant
Em-A	Émetteur A
Re-A	Récepteur A

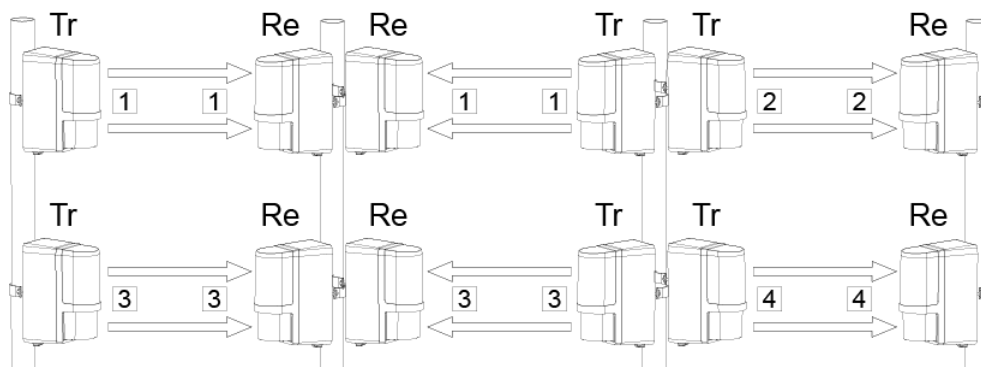


g) Protection longue portée

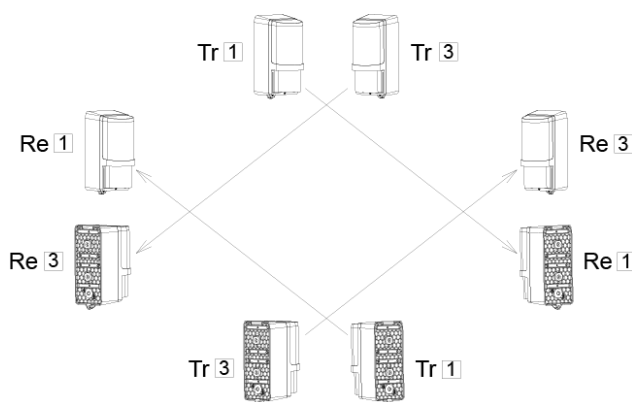
Puisque le récepteur C peut recevoir le faisceau infrarouge de l'émetteur A, sélectionnez les fréquences comme indiqué sur la figure de gauche.



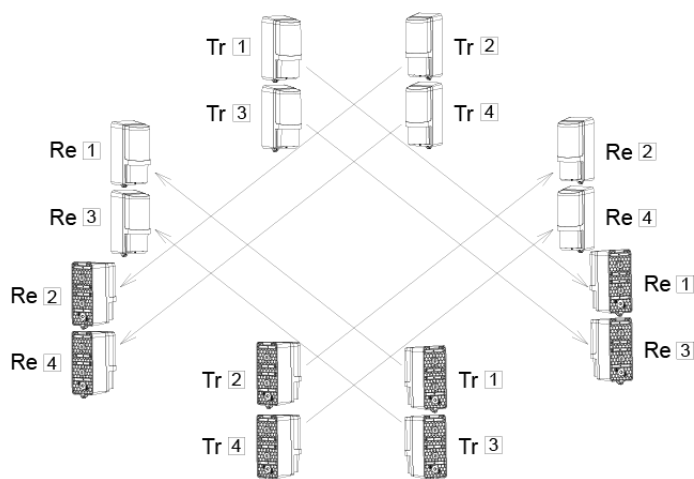
h) Protection longue portée à double niveau



i) Protection du périmètre



j) Protection du périmètre dans une configuration à deux niveaux d'empilement



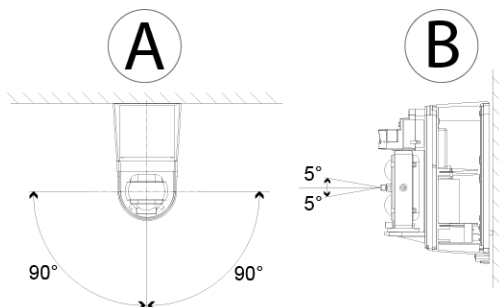
Attention :

- N'essayez pas d'installer ce produit avec d'autres détecteurs photoélectriques. Cela pourrait entraîner la défaillance du détecteur ou générer une fausse alarme.

Alignement optique

Le montage terminé, procédez à un alignement optique afin de garantir le bon fonctionnement de l'appareil.

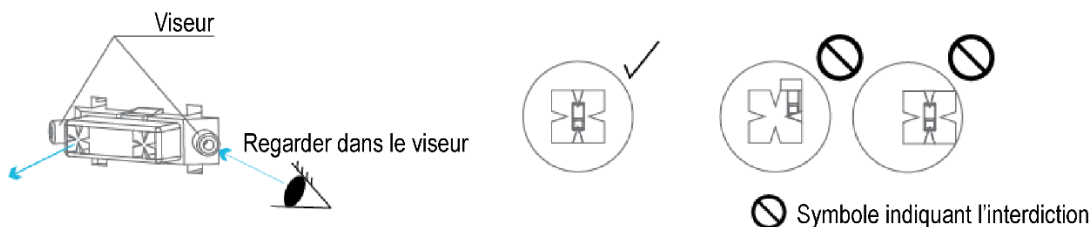
Angles d'alignement



Légende	Composant
A	Angle d'alignement horizontal
B	Angle d'alignement vertical

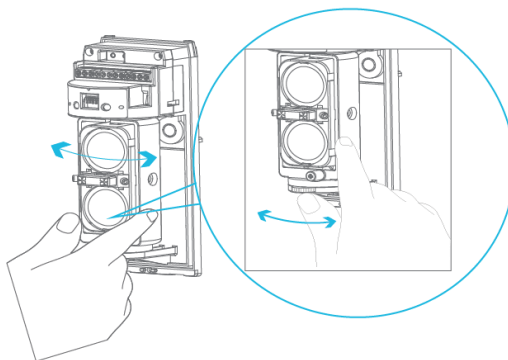
Alignement de l'appareil

1. Vérifiez que les positions du sélecteur de fréquence de faisceau de la paire émetteur/récepteur sont identiques. Pour plus d'informations, voir la section *Sélecteur de fréquence de faisceau 4 canaux*.
2. En regardant à travers le viseur, réglez les angles horizontal et vertical de manière à placer le détecteur couplé au centre du champ de vision.

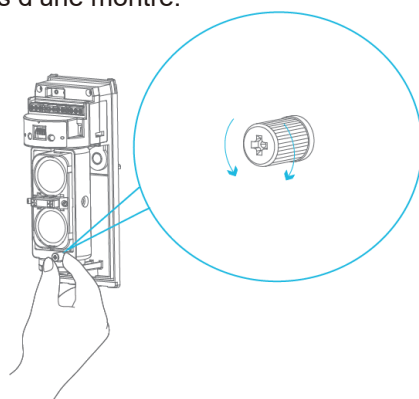


- a. Pour un alignement approximatif de l'angle horizontal, saisissez la lentille et déplacez-le vers la gauche ou la droite.

Pour un alignement précis de l'angle horizontal, tournez le bouton d'alignement horizontal.



- b. Pour un alignement précis de l'angle vertical, tournez le bouton d'alignement vertical à l'aide d'un doigt ou d'un tournevis cruciforme. Pour aligner la lentille vers le haut, tournez le bouton dans le sens des aiguilles d'une montre. Pour aligner la lentille vers le bas, tournez le bouton dans le sens contraire des aiguilles d'une montre.

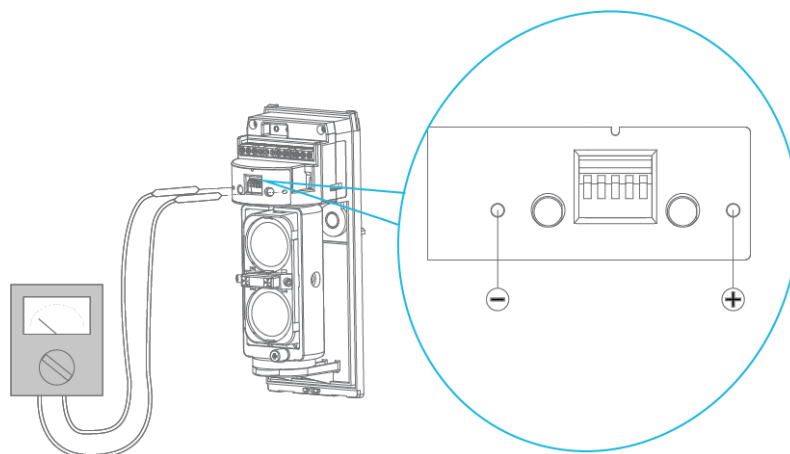


3. Réglez les angles horizontal et vertical tout en vérifiant le voyant LED d'alarme.

Voyant LED d'alarme	Faisceau non reçu	Faisceau reçu				
	Allumé (rouge)	Clignotement rapide	Clignotement lent	Éteint		
Niveau de réglage	Régler à nouveau l'angle			Moyen	Bon	Excellent
Sortie prise de contrôle	0 V		> 1 V > 2 V > 2,5 V			

Remarque : Le voyant LED d'alarme est un outil d'assistance à l'alignement. Effectuez un alignement précis afin de garantir le niveau de sortie maximal via la prise de contrôle.

4. Après avoir vérifié le voyant d'alarme, affinez l'alignement de l'émetteur et du récepteur à l'aide du voltmètre. Insérez chaque sonde du voltmètre. Réglez la plage du voltmètre entre 5 et 10 Vcc.



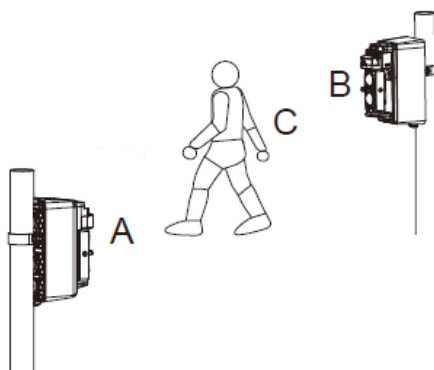
5. Poursuivez le réglage précis de l'alignement jusqu'à obtention du niveau de sortie de contrôle « bon », au minimum, ou supérieur à 2 V.

Test de l'appareil

Une fois l'installation terminée, testez le bon fonctionnement de l'appareil en suivant les étapes ci-dessous :

1. Vérifiez que le voyant LED d'alarme est éteint. Si le voyant est allumé alors que les faisceaux ne sont pas bloqués, suivez à nouveau les étapes décrites à la section *Alignement optique*.
2. Vérifiez que les voyants LED de pile faible de l'émetteur et du récepteur sont éteints. Si le voyant LED de pile clignote, remplacez les piles de l'appareil.
3. Effectuez un test de passage afin de vérifier que le voyant LED d'alarme du récepteur s'allume lorsqu'une personne interrompt les faisceaux en passant devant.
Veillez à réaliser un test de passage aux trois endroits suivants :
 - D. Devant l'émetteur
 - E. Devant le récepteur
 - F. À mi-distance entre l'émetteur et le récepteur

Réalisation d'un test de passage



L'installation et l'alignement sont terminés lorsque le voyant LED d'alarme s'allume aux trois endroits indiqués pour le test de passage.

4. (Facultatif) Si vous utilisez la minuterie d'économie des piles, activez-la une fois le test de passage terminé.
Voir *Minuterie d'économie des piles*.

Voyants LED

Le tableau suivant explique la signification des voyants LED de l'appareil.

État du détecteur	Voyant LED
Sous tension	Le voyant LED d'alimentation s'allume.
Détection (interruption du faisceau)	Le voyant LED d'alarme s'allume.
Niveau des piles d'alimentation faible	Le voyant LED de pile faible clignote.

Dépannage

Si le voyant LED d'alarme est éteint ou clignote lorsque le faisceau est interrompu, procédez comme suit :

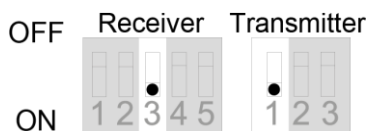
1. Suivez à nouveau les étapes de la section *Alignement optique*.
2. Dans une configuration à plusieurs détecteurs, le récepteur peut recevoir le faisceau infrarouge d'un émetteur tiers. Consultez la section *Sélecteur de fréquence de faisceau 4 canaux* et vérifiez le réglage du sélecteur.
3. Le faisceau de l'émetteur peut atteindre le récepteur en étant réfléchi sur le sol ou le mur d'un bâtiment. Les bons réflecteurs de la lumière visible sont également de bons réflecteurs de rayons infrarouges. Enlevez les objets réfléchissants situés autour du détecteur ou installez le détecteur à un autre endroit, puis alignez à nouveau l'axe optique.

Minuterie d'économie des piles

Activez la minuterie d'économie des piles après l'installation afin d'éviter de décharger inutilement les piles et de générer plusieurs événements d'alarme. L'activation de la minuterie d'économie des piles définit une période qui débute au moment où le détecteur identifie et transmet un événement. Un seul événement est transmis pendant ce laps de temps et tous les événements ultérieurs ne sont pas transmis avant la fin de cette période.

Réglage de la minuterie d'économie des piles

Le tableau ci-dessous indique la durée relative à chaque sortie lorsque la minuterie d'économie des piles est activée.



Fonction	Durée de sortie d'un seul événement
Sortie d'alarme	2 minutes
Sortie DQ	2 minutes
Sortie pile faible	15 minutes

Remarques :

- La minuterie d'économie des piles doit être désactivée pour tester correctement l'appareil.
- Vous devez fixer fermement le couvercle à l'appareil pour activer les économies de pile.

Remplacement des piles

1. Retirez toutes les piles de l'appareil.
2. Mettez l'interrupteur PowerG en position d'arrêt.
3. Remplacez toutes les piles.
4. Mettez l'interrupteur PowerG en position de marche.

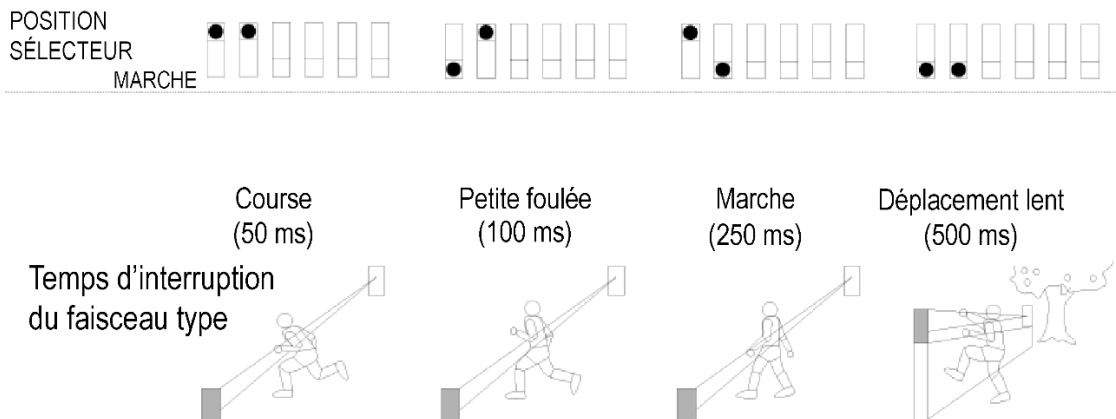
Remarque : Le retrait de toutes les piles permet de réinitialiser le voyant LED de niveau de pile faible.

Paramètres facultatifs

Attention : En modifiant d'autres réglages par défaut, vous risquez d'entraîner des dysfonctionnements de l'appareil et d'augmenter les défaillances ou les fausses alarmes.

Réglage du temps d'interruption du faisceau

Vous pouvez régler les paramètres de temps d'interruption du faisceau en fonction de la cible prévue pour les détecteurs. Pour cela, utilisez une des quatre positions du sélecteur décrites ci-dessous. Le paramètre par défaut est de 50 ms.



Sortie D.Q. (disqualification environnementale)

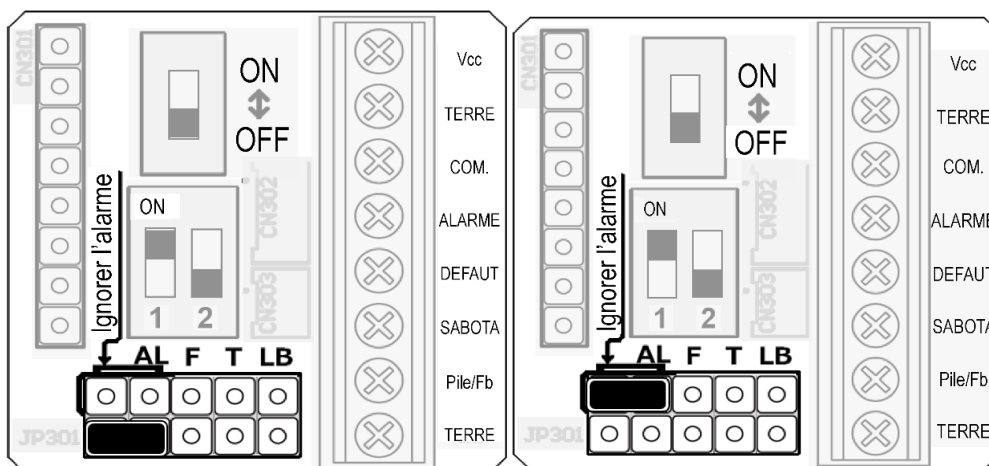
La fonction de sortie D.Q. (disqualification environnementale) détecte les situations où la puissance du faisceau est inférieure aux niveaux acceptables en raison de facteurs ambiants de type fortes précipitations, neige ou brouillard. Si la puissance du faisceau est faible pendant plus de 20 secondes du fait de ces conditions météorologiques, un signal de sortie D.Q. est envoyé par le récepteur. Le signal revient à la normale dès que la puissance du faisceau atteint des niveaux acceptables pendant plus de deux secondes d'affilée.

Remarque : La sortie D.Q. n'est pas évaluée par l'organisme UL.

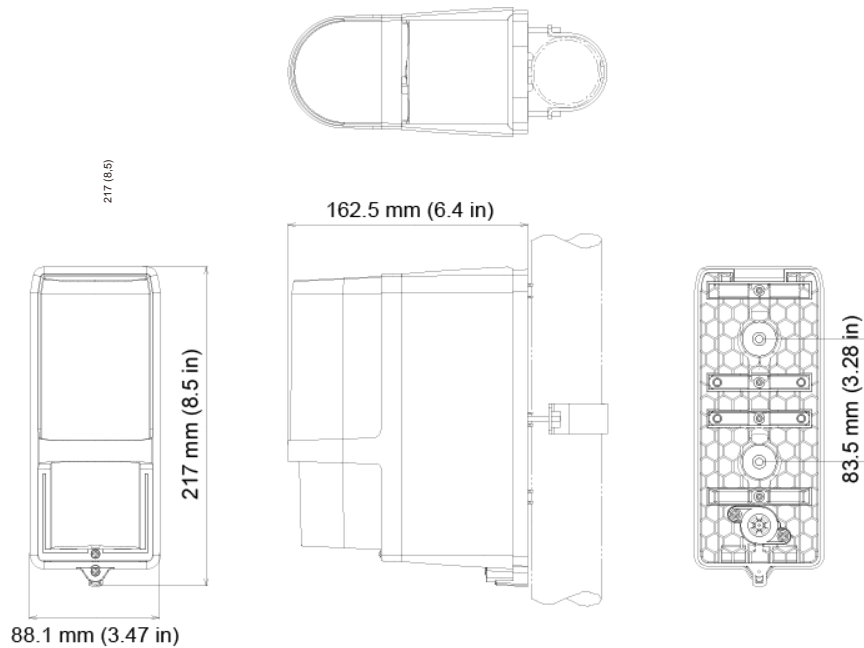
Il est possible de configurer le signal de sortie D.Q. pour l'un des usages suivants :

- **Sortie distincte :** envoie à la centrale un signal indiquant que le détecteur ne fonctionne pas correctement en raison des conditions météorologiques.
- **Ignorer l'alarme :** ignore l'alarme lorsque la sortie D.Q. est déclenchée par des conditions météorologiques difficiles.

Vous pouvez configurer l'une ou l'autre option en utilisant les réglages de broches de cavalier suivants sur la carte d'interface du récepteur :



Dimensions



Spécifications

SPÉCIFICATIONS GÉNÉRALES

Portée : 60 m (200 ft)

Méthode de détection : détection d'interruption de faisceau infrarouge

Sélection de fréquence de faisceau : 4 canaux

Période d'interruption : variable, définie sur 50, 100, 250 ou 500 ms

Source d'alimentation : recommandation : piles au lithium LSH20 3,6 V, 13 Ah fabriquées par SAFT

Appel de courant : 810 μ A T : 490 μ A + R : 320 μ A (à 25 °C (77 °F), 3,6 Vcc)

Durée de vie des piles : Émetteur : environ 3 ans. Récepteur : environ 5 ans.*

Remarque : *La spécification de durée de vie des piles s'applique uniquement aux piles recommandées. Voir Commandes de piles pour le détecteur. L'utilisation d'autres types de piles peut affecter la durée de vie des piles ou les performances du produit.

INDICATEURS

Indicateur d'alarme (récepteur) : voyant allumé - faisceau non reçu. Voyant instable - réception insuffisante du faisceau infrarouge.

Voyant éteint - faisceau reçu.

Alimentation (émetteur) : sous tension : voyant allumé ; hors tension : voyant éteint

Pile faible : baisse de tension : clignotement

Température en fonctionnement : -20 °C à +60 °C (-4 °F à +140 °F)

Humidité ambiante en fonctionnement : 95 % (max.)

Angle d'alignement : $\pm 90^\circ$ à l'horizontale, $\pm 5^\circ$ à la verticale

Poids : 1,6 kg (56,4 oz) (poids total de l'émetteur et du récepteur, à l'exclusion des accessoires)

Indice de protection (étanchéité) : IP55

Fréquence : 912 à 919 Mhz ; intervalles de 128/256 secondes

Les spécifications et la conception peuvent faire l'objet de modifications sans préavis.

Remarque : Ces appareils sont conçus pour détecter les intrus et activer une centrale d'alarme. Ils font partie d'un système complet. Par conséquent, le fabricant décline toute responsabilité concernant les dommages ou autres conséquences résultant d'une intrusion.

Conformité aux normes

États-Unis : FCC - CFR 47 section 15
UL Resi/Com Burg : UL639



Canada : IC RSS – 247
ULC Resi/Com Burg ULC-S306

Le présent appareil est conforme aux CNR d'Industrie Canada applicables aux appareils radio exempts de licence. L'exploitation est autorisée aux deux conditions suivantes : (1) l'appareil ne doit pas produire de brouillage, et (2) l'utilisateur de l'appareil doit accepter tout brouillage radioélectrique subi, même si le brouillage est susceptible d'en compromettre le fonctionnement.

Afin de respecter la section 1.1310 de la Réglementation FCC, portant sur l'exposition des individus aux champs électromagnétiques des fréquences radio, ainsi que les exigences IC, suivez les instructions suivantes : Le dispositif doit être placé à une distance d'au moins 20 cm à partir de toutes les personnes au cours de son fonctionnement normal. Les antennes utilisées pour ce produit ne doivent pas être situées ou exploitées conjointement avec une autre antenne ou transmetteur.

REMARQUE : Cet équipement a été testé et déclaré conforme aux limites définies pour les appareils numériques de classe B, conformément à la section 15 de la Réglementation FCC. Ces limites sont destinées à assurer une protection raisonnable contre les interférences nuisibles en cas d'utilisation dans un environnement résidentiel. Cet appareil génère, consomme et peut diffuser de l'énergie de fréquence radio et, s'il n'est pas installé et utilisé conformément aux instructions, peut provoquer des interférences nuisibles avec les communications radio. Il n'existe toutefois aucune garantie que des interférences ne se produiront pas dans une installation particulière. Si cet équipement provoque des interférences altérant la réception de la radio et de la télévision, ce qui peut être vérifié en l'éteignant et en le rallumant, l'utilisateur peut tenter de résoudre le problème en appliquant une ou plusieurs des mesures suivantes : réorienter ou déplacer l'antenne de réception ; augmenter la distance séparant l'équipement du récepteur ; brancher l'équipement sur une prise d'un circuit différent de celui auquel le récepteur est connecté ; consulter le revendeur ou un technicien radio/TV expérimenté pour obtenir de l'aide.

- Cet appareil numérique de la classe B est conforme à la norme NMB-003 du Canada.

ATTENTION ! Toute modification apportée à cet appareil et non approuvée expressément par la partie responsable de la conformité pourrait annuler le droit à l'utiliser.

Remarques relatives aux exigences UL/ULC

Seul le modèle PG9200AX fonctionnant dans la bande de fréquences 912-919MHz est homologué UL/ULC. Le modèle PG9200AX a été homologué par UL pour des applications anti-cambriolage tertiaires et résidentielles, et par ULC pour les applications anti-cambriolage résidentielles conformément aux exigences des normes UL 639 et ULC-S306 pour les équipements de détection anti-intrusion.

Dans les installations UL/ULC, cet appareil doit être exclusivement utilisé de pair avec des récepteurs sans fil DSC compatibles : HSM2HOST9, HS2LCDRF(P)9, HS2ICNRF(P) 9, PG9920, PowerSeries NEO (v1.37 et ultérieures), PowerSeries Pro (v1.31 et ultérieures), IQPanel2 (v2.6 et ultérieures), IQHub (v3.0 et ultérieures) et IQPanel4 (v4.0 et ultérieures). Une fois l'installation terminée, il convient de vérifier la fonctionnalité du produit associé au récepteur compatible.

DÉCLARATION DE CONFORMITÉ FCC

ATTENTION ! Toute modification apportée à cet appareil et non approuvée expressément par la partie responsable de la conformité pourrait annuler le droit à l'utiliser.

Cet appareil a été testé et déclaré conforme aux limites définies pour les appareils numériques de classe B, conformément à la section 15 de la Réglementation FCC. Ces limites sont destinées à assurer une protection raisonnable contre les interférences nuisibles en cas d'utilisation dans des environnements résidentiels. Cet appareil génère, consomme et peut diffuser de l'énergie de fréquence radio et, s'il n'est pas installé et utilisé conformément aux instructions, peut provoquer des interférences nuisibles altérant la réception des signaux radio et télévisuels. Il n'existe toutefois aucune garantie que des interférences ne se produiront pas dans une installation particulière. Si cet appareil provoque de telles interférences, ce qui peut être déterminé en l'allumant et en l'éteignant, l'utilisateur peut tenter de résoudre le problème en appliquant une ou plusieurs des mesures suivantes :

- Réorienter ou déplacer l'antenne de réception
- Augmenter la distance séparant l'appareil du récepteur
- Brancher l'appareil sur une prise d'un circuit différent de celui auquel le récepteur est connecté
- Consulter le revendeur ou un technicien radio/TV expérimenté

Référence FCC : F5318PG9200AX

Déclaration ISED (Innovation Science and Economic Development Canada)

Le présent appareil est conforme aux CNR d'ISED Canada applicables aux appareils radio exempts de licence. L'exploitation est autorisée aux deux conditions suivantes : (1) l'appareil ne doit pas produire de brouillage, et (2)

l'utilisateur de l'appareil doit accepter tout brouillage radioélectrique subi, même si le brouillage est susceptible d'en compromettre le fonctionnement.

Afin de respecter la section 1.1310 de la Réglementation FCC, portant sur l'exposition des individus aux champs électromagnétiques des fréquences radio ainsi que les exigences IC, suivez les instructions suivantes. Le dispositif doit être placé à une distance d'au moins 20 cm à partir de toutes les personnes au cours de son fonctionnement normal. Les antennes utilisées pour ce produit ne doivent pas être situées ou exploitées conjointement avec une autre antenne ou transmetteur.
IC : 160A-PG9200AX

Le terme « IC » précédant le numéro de certification radio indique uniquement que les spécifications techniques d'Industrie Canada sont remplies. Cet appareil numérique de la classe B est conforme à la norme NMB-003 du Canada. Ce dispositif satisfait aux exigences d'Industrie Canada, prescrites dans le document CNR-247. son utilisation est autorisée seulement aux conditions suivantes: (1) il ne doit pas produire de brouillage et (2) l'utilisateur du dispositif doit être prêt à accepter tout brouillage radioélectrique reçu, même si ce brouillage est susceptible de compromettre le fonctionnement du dispositif.

Garantie limitée

Digital Security Controls garantit le produit contre tout défaut de pièce et main-d'œuvre dans des conditions normales d'utilisation pendant une période de 12 mois à compter de la date d'achat. En cas de défaut de la présente garantie, Digital Security Controls s'engage, à son entière discrétion, à réparer ou à remplacer tout appareil défectueux dès son retour à l'usine. Cette garantie s'applique uniquement aux défauts de pièces et main-d'œuvre et non aux dommages survenus pendant le transport ou la manipulation, occasionnés par des phénomènes hors du contrôle de Digital Security Controls, tels qu'une surtension, un choc mécanique ou un dégât des eaux, ou encore dus à tout(e) autre usage abusif, modification ou utilisation inappropriée du matériel.

La garantie qui précède s'applique uniquement à l'acheteur initial, en lieu et place de toute autre garantie, qu'elle soit expresse ou implicite, ainsi que de toute autre obligation ou responsabilité de la part de Digital Security Controls. Digital Security Controls décline toute responsabilité et interdit à toute autre personne prétendant agir en son nom de modifier ou de changer cette garantie, et rejette toute autre garantie ou responsabilité relative à ce produit.

En aucun cas Digital Security Controls ne pourra être tenu responsable de dommages directs, indirects ou secondaires ni de pertes de profits anticipées, de temps ou autres, occasionnés par l'acheteur en lien avec l'achat, l'installation, l'utilisation ou la défaillance de ce produit.

Attention : *Digital Security Controls recommande de tester entièrement et régulièrement l'ensemble du système. Toutefois, malgré des tests réguliers, il peut arriver que le fonctionnement du produit ne soit pas conforme aux attentes en raison, notamment, mais pas exclusivement, de sabotages criminels ou de pannes électriques.*

Informations importantes : *Toute modification non approuvée expressément par Digital Security Controls pourrait annuler le droit à utiliser cet appareil par l'utilisateur.*

IMPORTANT - À LIRE ATTENTIVEMENT : Le Logiciel DSC acquis avec ou sans Produits et Composants est protégé par les droits d'auteur et est acheté en vertu des conditions de licence suivantes :

- Le présent Contrat de licence de l'utilisateur final (le « CLUF ») est un accord juridique conclu entre Vous (l'entreprise, l'individu ou l'entité ayant fait l'acquisition du Logiciel et de tout Matériel associé) et Digital Security Controls, une division de Tyco Safety Products Canada Ltd. (« DSC »), le fabricant des systèmes de sécurité intégrés et le développeur du logiciel et des produits ou composants associés (le « MATÉRIEL ») dont Vous avez fait l'acquisition.
- Si le produit logiciel DSC (« PRODUIT LOGICIEL » ou « LOGICIEL ») est prévu pour être accompagné par du MATÉRIEL et qu'il n'est PAS fourni avec du nouveau MATÉRIEL, Vous n'avez pas le droit d'utiliser, de copier ou d'installer le PRODUIT LOGICIEL. Le PRODUIT LOGICIEL comprend le logiciel informatique et peut également inclure des supports, des documents imprimés et de la documentation « en ligne » ou électronique associés.
- Tout logiciel fourni avec le PRODUIT LOGICIEL qui est associé à un contrat de licence de l'utilisateur final distinct Vous est concédé sous licence en vertu des conditions de ce contrat de licence. • En installant, en copiant, en téléchargeant, en stockant, en ouvrant ou en utilisant d'une autre manière le PRODUIT LOGICIEL, Vous acceptez sans conditions d'être lié par les clauses du présent CLUF, même si ce CLUF est considéré comme une modification de tout accord ou contrat antérieur. Si Vous n'acceptez pas les conditions du présent CLUF, DSC refuse de Vous

accorder une licence d'utilisation pour le PRODUIT LOGICIEL et Vous interdit d'utiliser ce dernier.

LICENCE

Le PRODUIT LOGICIEL est protégé par des lois et des traités internationaux sur les droits d'auteur, ainsi que par d'autres lois et traités relatifs à la propriété intellectuelle. Le PRODUIT LOGICIEL est concédé sous licence et non vendu.

1. OCTROI DE LA LICENCE – Ce CLUF Vous accorde les droits suivants :

(a) Installation et utilisation du Logiciel – Pour chacune des licences acquises, Vous n'avez le droit d'installer qu'une seule copie du PRODUIT LOGICIEL.

(b) Stockage/Utilisation en réseau – Le PRODUIT LOGICIEL ne peut pas être installé, ouvert, affiché, exécuté, partagé ou utilisé simultanément sur ou depuis des ordinateurs différents, notamment un poste de travail, un terminal ou tout autre dispositif électronique numérique (« Dispositif »). Autrement dit, si Vous possédez plusieurs postes de travail, Vous devrez acheter une licence pour chaque poste sur lequel le LOGICIEL sera utilisé.

(c) Copie de sauvegarde – Vous pouvez effectuer des copies de sauvegarde du PRODUIT LOGICIEL, mais Vous ne pouvez installer qu'une seule copie par licence à tout moment. Vous pouvez uniquement utiliser une copie de sauvegarde à des fins d'archivage. Sauf mention expresse prévue dans ce CLUF, Vous n'avez pas le droit d'effectuer des copies du PRODUIT LOGICIEL, ni des documents imprimés qui l'accompagnent.

2. DESCRIPTION D'AUTRES DROITS ET LIMITES

(a) Limites relatives à l'ingénierie inverse, à la décompilation et au désassemblage – Vous n'avez pas le droit d'effectuer d'ingénierie inverse, de décompiler ou de désassembler le PRODUIT LOGICIEL, sauf et uniquement dans la mesure où une telle activité est expressément permise par la loi en vigueur, nonobstant cette limite. Vous n'avez pas le droit d'apporter de changements ou de modifications au Logiciel sans l'autorisation écrite d'un responsable de DSC. Vous n'êtes pas autorisé à retirer les avis, marques ou étiquettes de propriété exclusive figurant sur le Produit Logiciel. Vous devrez prendre des mesures raisonnables afin d'assurer le respect des conditions générales du présent CLUF.

(b) Séparation des Composants – Le PRODUIT LOGICIEL est concédé sous licence en tant que produit unique. Ses éléments constitutifs ne peuvent pas être séparés pour être utilisés sur plus d'une unité MATÉRIELLE.

(c) PRODUIT INTÉGRÉ unique – Si vous avez acquis ce LOGICIEL avec du MATÉRIEL, le PRODUIT LOGICIEL est concédé sous licence avec le MATÉRIEL en tant que produit intégré unique. Dans ce cas, le PRODUIT LOGICIEL ne peut être utilisé qu'avec le MATÉRIEL, conformément à ce CLUF.

(d) Location – Vous n'avez pas le droit de louer, de mettre en bail ou de prêter le PRODUIT LOGICIEL. Vous n'avez pas le droit de le mettre à la disposition d'autres personnes ou de l'afficher sur un serveur ou un site Web.

(e) Transfert du Produit Logiciel – Vous pouvez céder tous vos droits en vertu de ce CLUF uniquement dans le cadre de la vente ou de la cession permanente du MATÉRIEL, à condition que Vous ne conserviez aucune copie, que Vous cédiez le PRODUIT LOGICIEL entier (tous les composants, supports, documents imprimés et autres, toutes les mises à niveau et le présent CLUF), et à condition que le destinataire accepte les conditions du présent CLUF. Si le PRODUIT LOGICIEL est une mise à niveau, la cession doit également inclure toutes les versions antérieures du PRODUIT LOGICIEL.

(f) Résiliation – Sans préjudice de tout autre droit, DSC se réserve le droit de résilier ce CLUF si Vous ne respectez pas ses conditions générales. Dans ce cas, Vous devez détruire toutes les copies du PRODUIT LOGICIEL et tous ses éléments constitutifs.

(g) Marques – Le présent CLUF ne vous octroie aucun droit sur toute marque commerciale ou marque de service de DSC ou de ses fournisseurs.

3. DROITS D'AUTEUR

Tous les titres et droits de propriété intellectuelle associés au PRODUIT LOGICIEL (notamment mais pas seulement aux images, photographies et textes incorporés dans le PRODUIT LOGICIEL), les documents imprimés joints et tout

exemplaire du PRODUIT LOGICIEL sont la propriété de DSC et de ses fournisseurs. Vous n'avez pas le droit d'effectuer de copies des documents imprimés accompagnant le PRODUIT LOGICIEL. Tous les titres et droits de propriété intellectuelle associés aux contenus accessibles par le biais du PRODUIT LOGICIEL sont détenus par les propriétaires respectifs des contenus et peuvent être protégés par des droits d'auteur ou autres lois et traités sur la propriété intellectuelle. Le présent CLUF ne Vous accorde pas le droit d'utiliser ces contenus. Tous les droits qui ne sont pas expressément accordés en vertu de ce CLUF sont réservés par DSC et ses fournisseurs.

4. RESTRICTIONS RELATIVES À L'EXPORTATION

Vous acceptez de ne pas exporter ou réexporter le PRODUIT LOGICIEL à destination d'un pays, d'une personne ou d'une entité soumis à des restrictions d'exportation canadiennes.

5. LÉGISLATION COMPÉTENTE

Ce Contrat de licence de l'utilisateur final est régi par les lois de la Province de l'Ontario, au Canada.

6. ARBITRAGE

Tous les conflits survenant en lien avec le Contrat seront résolus par un arbitrage définitif et sans appel conformément à la Loi sur l'arbitrage, et les parties conviennent d'être liées par la décision de l'arbitre. Le lieu de l'arbitrage sera Toronto, au Canada, et la langue de l'arbitrage sera l'anglais.

7. GARANTIE LIMITÉE

(a) ABSENCE DE GARANTIE – DSC FOURNIT LE LOGICIEL « EN L'ÉTAT » SANS GARANTIE. DSC NE GARANTIT PAS QUE LE LOGICIEL RÉPONDE À VOS EXIGENCES OU QUE L'EXPLOITATION DU LOGICIEL SOIT ININTERROMPUE OU EXEMPTÉ D'ERREUR.

(b) CHANGEMENT D'ENVIRONNEMENT D'EXPLOITATION – DSC ne sera pas responsable des problèmes provoqués par des changements dans les caractéristiques d'exploitation du MATÉRIEL, ou des problèmes d'interaction du PRODUIT LOGICIEL avec des LOGICIELS ou COMPOSANTS MATÉRIELS NON-DSC.

(c) LIMITES DE RESPONSABILITÉ ; LA GARANTIE REFLÈTE LA RÉPARTITION DES RISQUES – DANS TOUS LES CAS, SI UN STATUT QUELCONQUE SUPPOSE DES GARANTIES OU CONDITIONS QUI NE SONT PAS STIPULÉES DANS LE PRÉSENT CONTRAT DE LICENCE, LA RESPONSABILITÉ INTÉGRALE ASSUMÉE PAR DSC DANS LE CADRE D'UNE DISPOSITION QUELCONQUE DE CE CONTRAT SE LIMITERA AU MONTANT LE PLUS ÉLEVÉ QUE VOUS AVEZ PAYÉ POUR LA LICENCE DU PRODUIT LOGICIEL ET CINQ DOLLARS CANADIENS (5 \$ CAD). ÉTANT DONNÉ QUE CERTAINES JURIDICTIONS NE PERMETTENT PAS L'EXCLUSION OU LES RESTRICTIONS DE RESPONSABILITÉ POUR DOMMAGES INDIRECTS OU SECONDAIRES, CES RESTRICTIONS PEUVENT NE PAS S'APPLIQUER À VOTRE CAS.

(d) EXONÉRATION DE GARANTIES – CETTE GARANTIE CONTIENT L'INTÉGRALITÉ DE LA GARANTIE ET REMPLACERA TOUTES LES AUTRES GARANTIES, QU'ELLES SOIENT EXPLICITES OU IMPLICITES (NOTAMMENT TOUTES LES GARANTIES IMPLICITES DE QUALITÉ MARCHANDE OU D'ADÉQUATION À UN USAGE PARTICULIER) ET TOUTE AUTRE OBLIGATION OU RESPONSABILITÉ DE DSC. DSC N'ÉTABLIT AUCUNE AUTRE GARANTIE. DSC DÉCLINE TOUTE RESPONSABILITÉ ET INTERDIT À TOUTE AUTRE PERSONNE PRÉTENDANT AGIR EN SON NOM DE MODIFIER OU DE CHANGER CETTE GARANTIE, ET REJETTE TOUTE AUTRE GARANTIE OU RESPONSABILITÉ RELATIVE À CE PRODUIT LOGICIEL.

(e) RECOURS EXCLUSIF ET LIMITE DE GARANTIE – DSC NE SERA EN AUCUN CAS RESPONSABLE DES DOMMAGES PARTICULIERS, ACCIDENTELS OU INDIRECTS SUR LA BASE D'UNE RUPTURE DE GARANTIE, RUPTURE DE CONTRAT, NÉGLIGENCE, RESPONSABILITÉ STRICTE OU TOUTE AUTRE THÉORIE JURIDIQUE. DE TELS DOMMAGES INCLUENT NOTAMMENT, MAIS NON EXCLUSIVEMENT, LA PERTE DE PROFIT, LA PERTE DU PRODUIT LOGICIEL OU DE TOUT AUTRE ÉQUIPEMENT ASSOCIÉ, UN COÛT DU CAPITAL, UN COÛT DE REMPLACEMENT OU DE SUBSTITUTION DES ÉQUIPEMENTS, DES INSTALLATIONS OU DES SERVICES, UN TEMPS D'ARRÊT, LE TEMPS DE L'ACHAT, LES RÉCLAMATIONS DE TIERS, Y COMPRIS DES CLIENTS, AINSI QUE LES DOMMAGES AUX BIENS.

ATTENTION : DSC recommande de tester entièrement et régulièrement l'ensemble du système. Toutefois, malgré des tests réguliers, il peut arriver que le fonctionnement du PRODUIT LOGICIEL ne soit pas conforme aux attentes en raison, notamment, mais pas exclusivement, de sabotages criminels ou de pannes électriques.

Veillez à toujours utiliser la version la plus récente du Manuel de l'utilisateur. Contactez votre distributeur pour obtenir les versions à jour du présent Manuel de l'utilisateur.

© 2022 Johnson Controls. Tous droits réservés. JOHNSON CONTROLS et DSC sont des marques de commerce et/ou des marques déposées. Toute utilisation non autorisée est strictement interdite.

Cet appareil numérique de la classe B est conforme à la norme NMB- 003 du Canada. Ce dispositif satisfait aux exigences d'Industrie Canada, prescrites dans le document CNR-247. son utilisation est autorisée seulement aux conditions suivantes: (1) il ne doit pas produire de brouillage et (2) l'utilisateur du dispositif doit être prêt à accepter tout brouillage radioélectrique reçu, même si ce brouillage est susceptible de compromettre le fonctionnement du dispositif.

PG9200AX

Detector de haz fotoeléctrico inalámbrico

Características del detector

- Función de ahorro batería
- Selector de frecuencia del haz de 4 canales
- Grado de impermeabilidad IP55 (No evaluado por UL)
- Circuito de descalificador ambiental por configurar comportamiento en condiciones meteorológicas adversas
- Función manipulación
- Alcance de detección al aire libre de 200 pies

Introducción

El PG9200AX es un detector de haz fotoeléctrico inalámbrico PowerG, que protege los perímetros al aire libre. El detector de haz consiste en un receptor y un transmisor.

Advertencia: El incumplimiento de las instrucciones entregadas con este dispositivo o una manipulación incorrecta de este puede causar la muerte o daños graves.

Información sobre seguridad

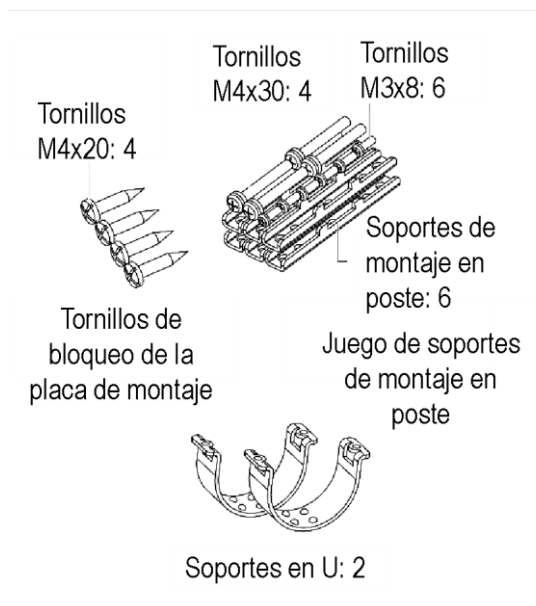
Advertencias

- No use el producto para otros fines que no sean la detección de objetos en movimiento, tales como personas y vehículos.
- No use el producto para fines no contemplados, tales como activar una persiana, lo cual puede causar un accidente.
- No toque el producto mojado ni toque la base del dispositivo o los terminales de potencia del producto con las manos mojadas. Ello puede causar una descarga eléctrica.
- No vierta agua sobre el producto. Ello puede dañar los dispositivos.
- No intente nunca desmontar o reparar el producto. Ello puede causar un incendio o daños a los dispositivos.
- No use baterías con niveles diferentes de potencia de carga, por ejemplo, baterías nuevas y usadas. El incumplimiento de dichas directrices puede provocar una explosión, la fuga de electrolito, la emisión de gases tóxicos u otros resultados, que pueden ser perjudiciales para las personas y las cosas.
- Al manipular las baterías, no efectúe recargas, cortocircuitos, aplastamientos, desmontajes, supere la temperatura de 100°C (212°F), incinere o exponga el contenido al agua. No realice soldaduras directamente en la celda. El incumplimiento de estas directrices puede provocar un incendio, una explosión o el riesgo de quemaduras graves.
- Limpie y controle el producto periódicamente para un uso seguro. En caso de detectarse algún problema, deje de usar el producto, y hágalo reparar por un ingeniero o electricista profesional.

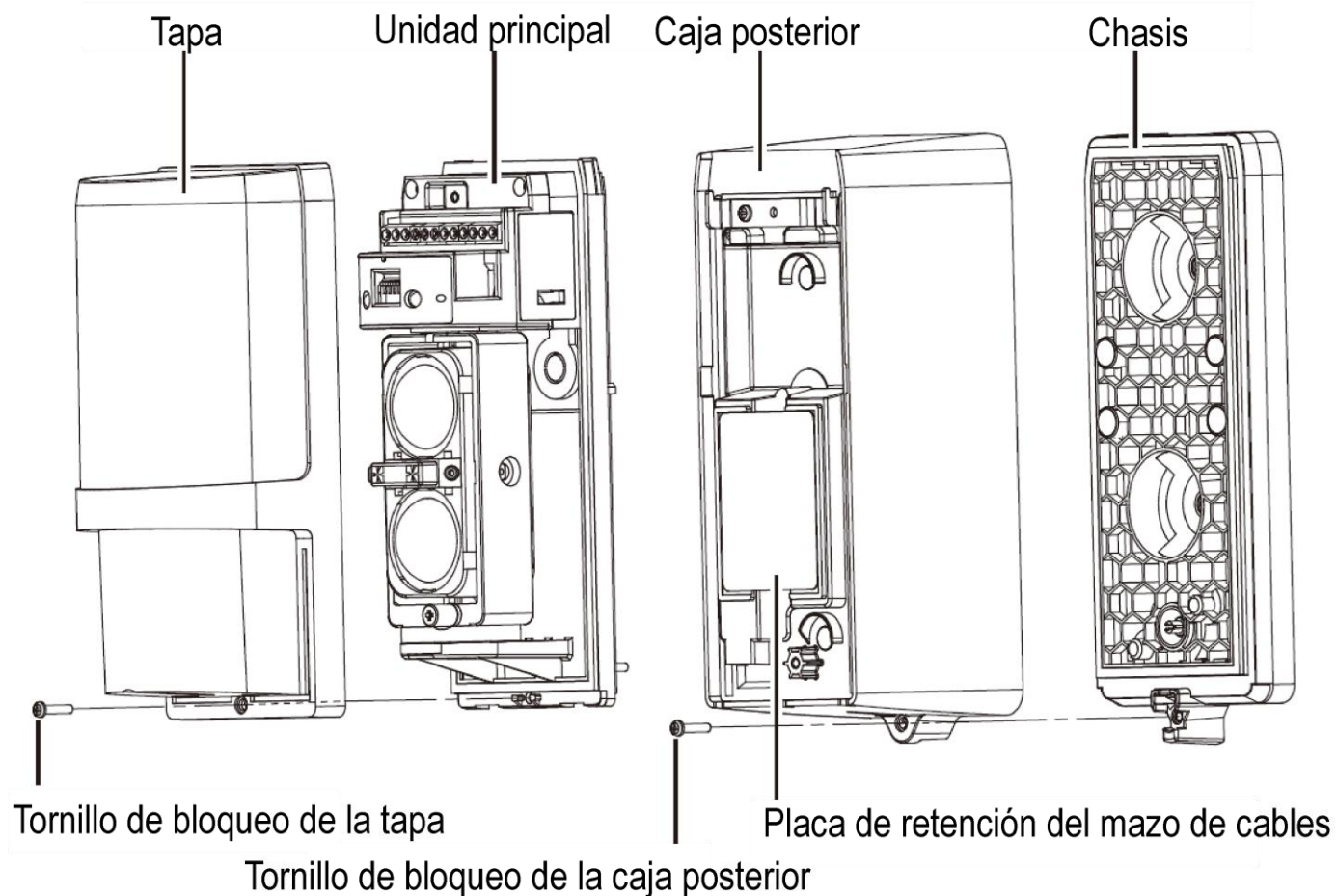
Contenido de la caja

- Módulos del transmisor y receptor
- Documentación del producto
- Paquete hardware

Accesorios



Identificación de piezas



Pedido de las baterías del detector

Las baterías especificadas para el dispositivo son cuatro (4) baterías LSH20, fabricadas por SAFT, dos para el transmisor y las otras dos para el receptor.

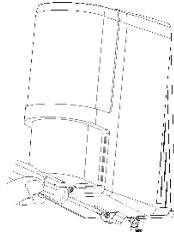
Para obtener información sobre las baterías, entre en el siguiente sitio web y contacte a su representante local SFT. Consulte <https://www.saftbatteries.com/products-solutions/products/lsh-lsp>

Desmontaje del dispositivo

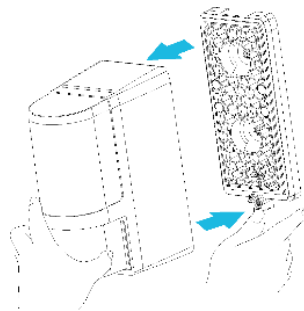
Nota: Complete el proceso de desmontaje para el transmisor y el receptor antes de montar el dispositivo.

Desmunte el dispositivo antes de efectuar el registro y el montaje.

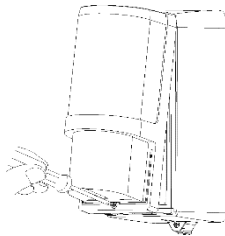
1. Afloje el tornillo de cierre de la caja posterior.



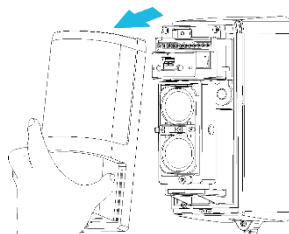
2. Ejerza una presión en la lengüeta situada en la parte inferior de la caja posterior.



3. Afloje el tornillo en la parte inferior de la tapa.



4. Tire de la tapa del soporte.



Registro

Paneles compatibles

El dispositivo es compatible con los siguientes paneles:

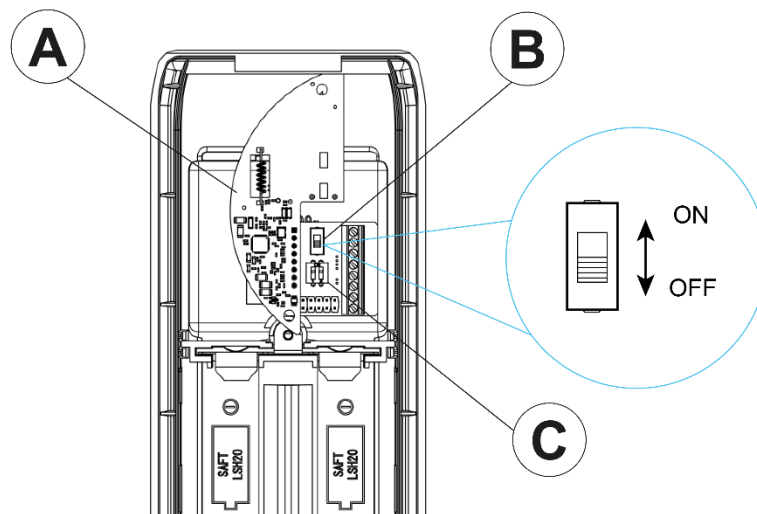
- PowerSeries NEO (v1.37 y superiores)
- PowerSeries Pro (v1.31 y superiores)
- IQ2+ (v2.6.2 y superiores)
- IQ Hub (v3.0.1 y superiores)
- IQ4 (v4.0.1 y superiores)

Registrar el dispositivo

El proceso de registro inicia cuando enciende al módulo PowerG. El módulo PowerG es una tarjeta en el detector.

Registre el transmisor y el receptor en el panel de control. Los módulos pueden registrarse en cualquier orden.

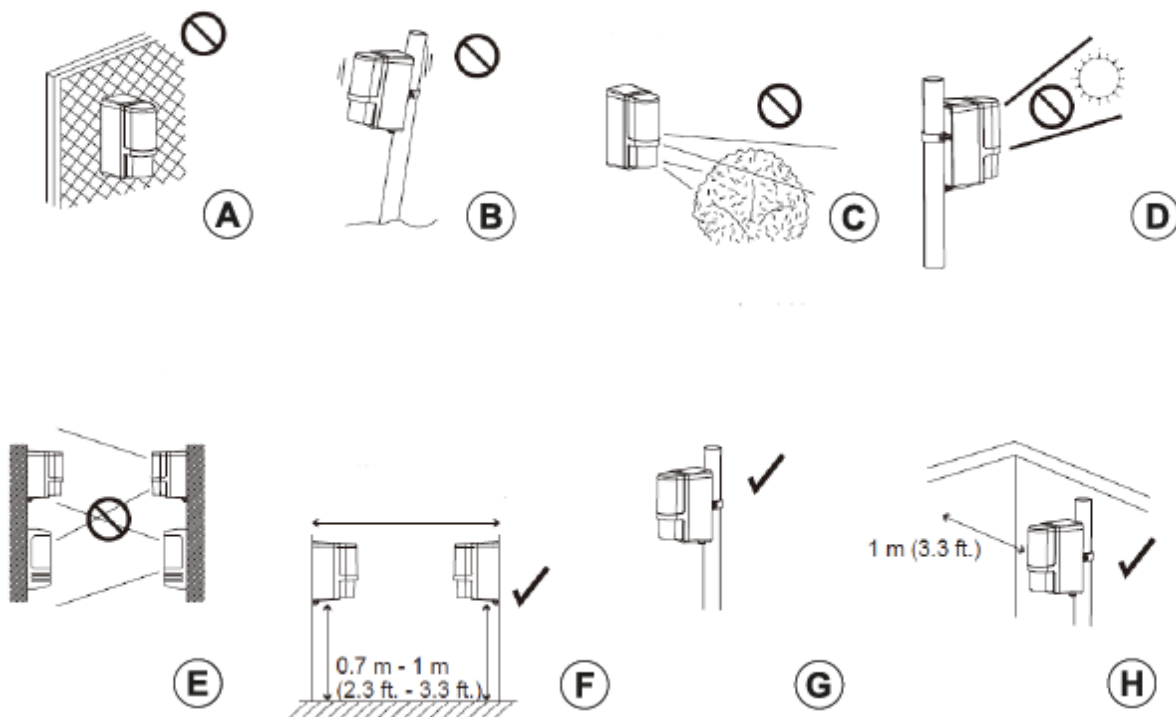
Nota: Complete *Registrar el dispositivo* para el transmisor y el receptor antes de montar el dispositivo.



A	Tarjeta dependiente PowerG			
B	Interruptor de potencia PowerG			
C	Configuración de dipswitches	Configuración	Dipswitch 1	Dipswitch 2
		Receptor	Encendido	Apagado
		Transmisor	Apagado	Apagado

1. Asegúrese de que el panel de control esté en el modo registro.
2. Instale las baterías en el detector.
3. Gire el interruptor del potencia de módulo PowerG, situado en el cuadro de la interfaz, para situarlo en la posición ON. Consulte el manual de instalación del panel de control para disponer de todas las instrucciones completas de registro.
 - a. Si el procedimiento de registro automático no se realiza correctamente, consulte las instrucciones del panel de control y registre el dispositivo manualmente.
4. **¡Importante!** Gire el interruptor hasta la posición OFF y extraiga las baterías. Coloque de nuevo las baterías tras haber montado el dispositivo.

Montar el dispositivo

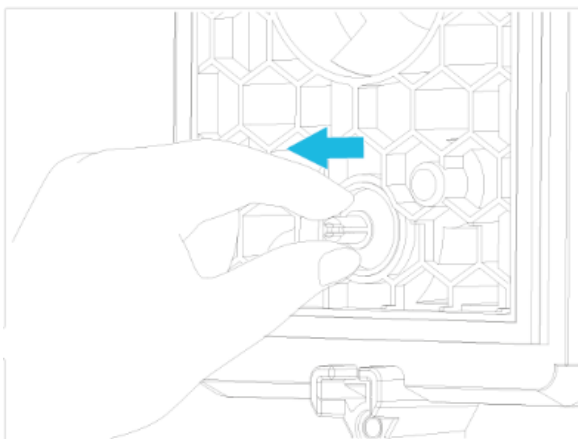


Leyenda	Descripción
A	No monte el dispositivo sobre una superficie inestable
B	No monte el dispositivo sobre un poste inestable.
C	No monte el dispositivo cerca de árboles u otros objetos que pueden bloquear el haz.
D	Evite montar el receptor directamente expuesto a la luz solar. La luz solar puede afectar a las prestaciones del receptor.
E	No monte el dispositivo donde un rayo infrarrojo de otro modelo puede llegar al receptor.
F	Monte el dispositivo a una altura comprendida entre 0,7 m y 1 m (entre 2,3 pies y 3,3 pies).
G	Cuando el montaje se realiza en un poste, el diámetro del poste debe ser 34 - 48 mm (1,34" - 1,89").
H	Monte el dispositivo al menos a 1 m (3,3 pies) de una pared o cerca, que es paralela al haz.

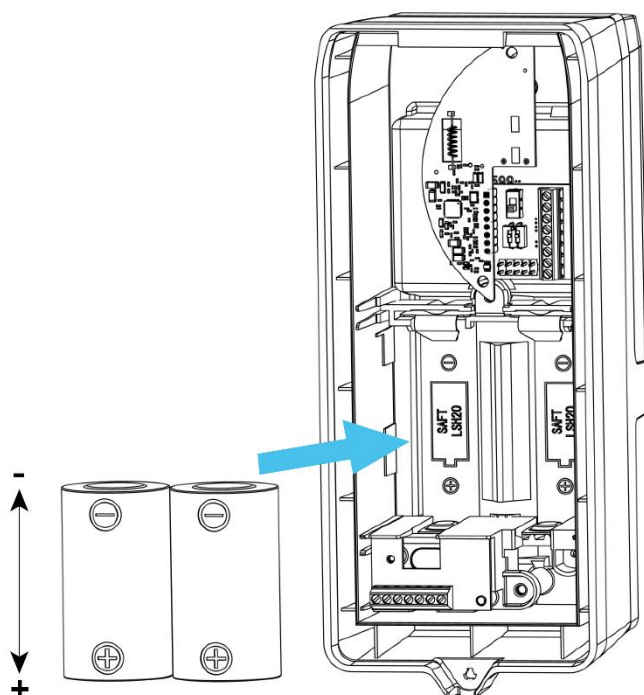
Precaución: Ha de instalar completamente todos los componentes del detector para cumplir los requisitos del estándar IP55.

Montar un detector en una pared

1. Afloje el tornillo de cierre de la caja posterior.
2. Desmonte el soporte de la caja posterior.
3. Use los tornillos de montaje en la pared M4×20 suministrados para fijar el soporte en la pared.
4. Tras haber montado el soporte, sujete el casquillo con sus dedos pulgar e índice.
5. Posicione el casquillo en posición vertical para que se mueva uniformemente.



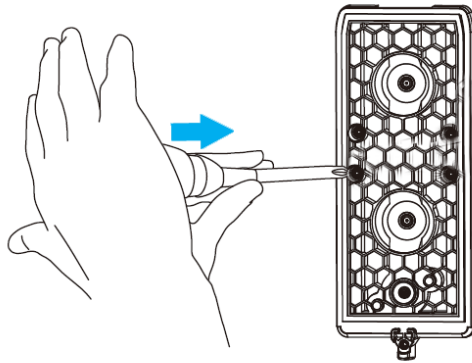
6. Coloque dos baterías en el compartimento de las baterías en la caja posterior y sitúe el interruptor del módulo PowerG en la posición ON.



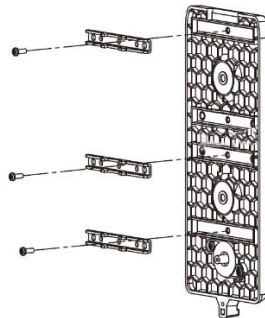
7. Fije la caja posterior en el soporte en la pared.
8. Apriete el tornillo de cierre de la caja posterior.

Montar un detector en un poste

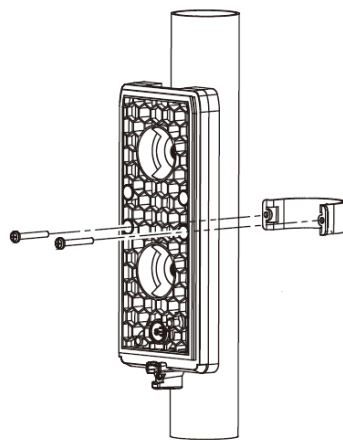
1. Afloje el tornillo de cierre de la caja posterior.
2. Desmonte el soporte de la caja posterior.
3. Use un destornillador o una herramienta similar, para romper los orificios preperforados en el soporte.



4. Use los tornillos M3 x 8 suministrados para fijar las tres abrazaderas de montaje en el palo en el soporte.



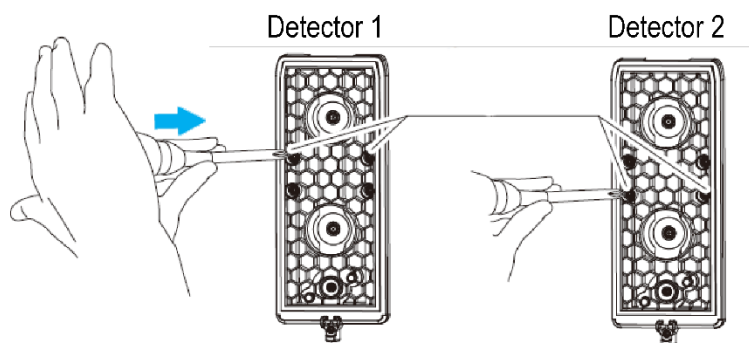
5. Use los tornillos M4x30 suministrados y la abrazadera en U para montar el soporte en el poste.



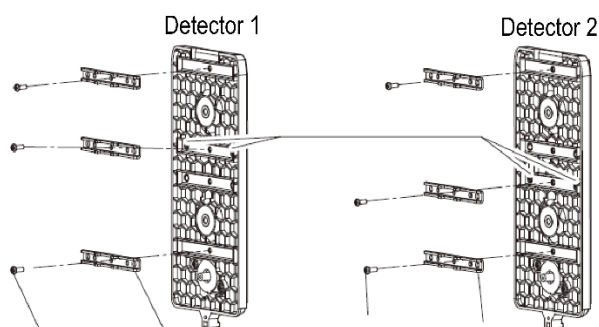
6. Complete los pasos de 4 a 8 de la sección *Montaje en una pared*.

Montar un segundo detector en dirección opuesta en un poste

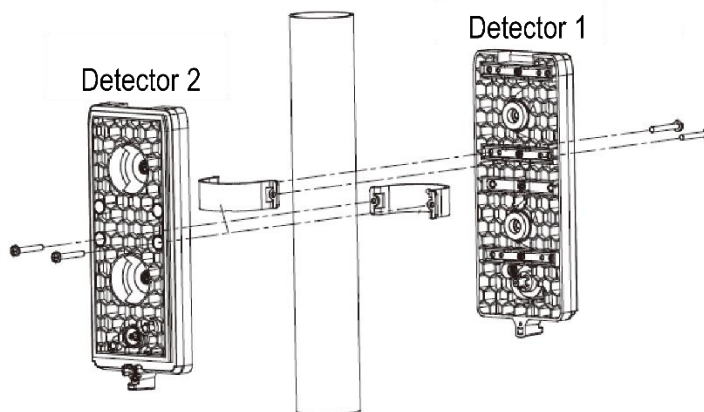
1. Desmonte el soporte de la caja posterior.
2. Use un destornillador o una herramienta similar, para romper los orificios preperforados en el soporte de cada detector. Elija un par diferente de orificios preperforados para el segundo detector.



3. Use los tornillos M3x8 suministrados para fijar las tres abrazaderas de montaje en el soporte de cada detector.



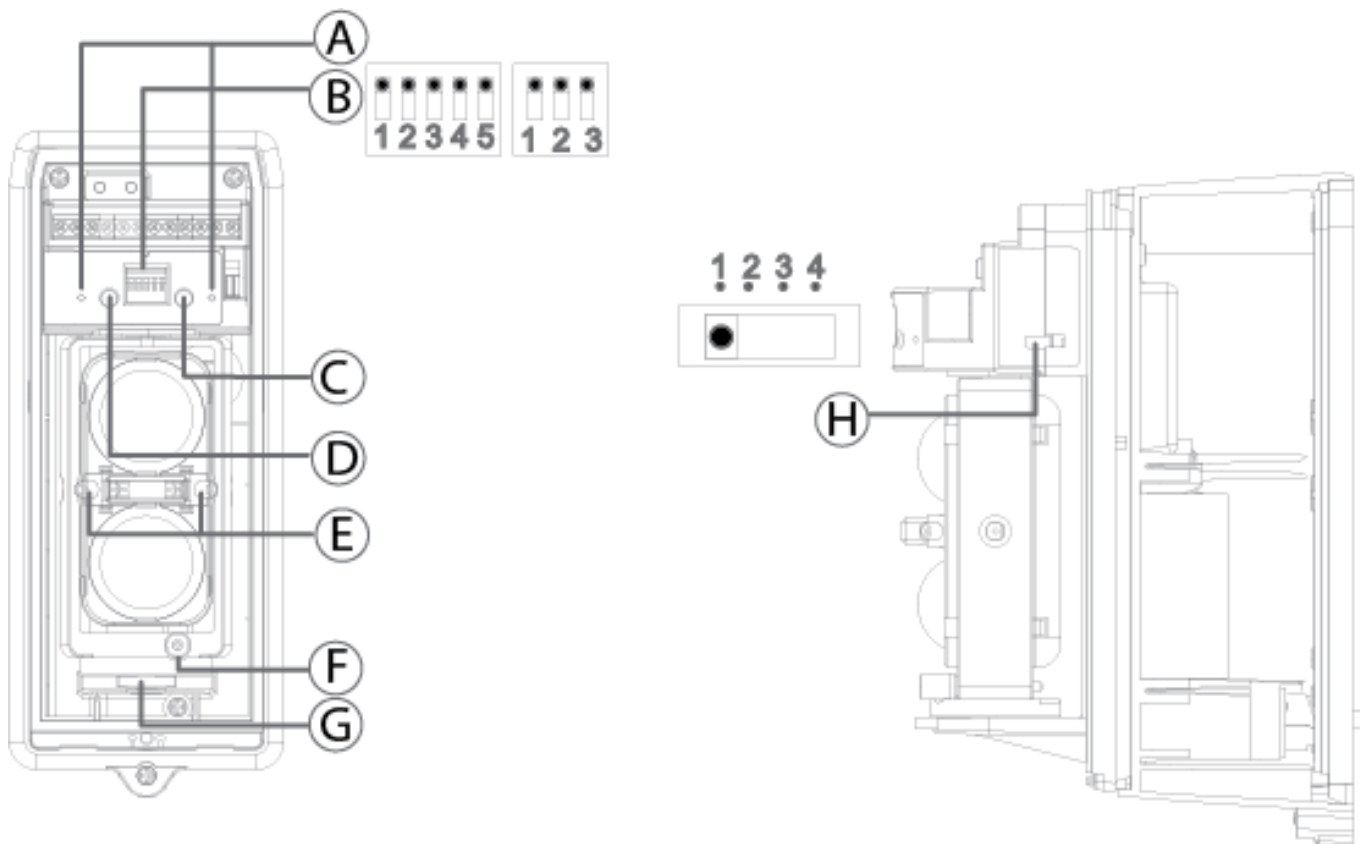
4. Use los tornillos M4x30 suministrados y las abrazaderas en U para montar el soporte de cada detector en el poste.



5. Complete los pasos de 4 a 8 de la sección *Montaje en una pared* para cada detector.

Ajustes del dispositivo

Componentes del dispositivo



Leyenda	Componente
A	Toma del monitor (solamente para receptor)
B	Interruptores
C	Receptor: LED indicador de alarma. Transmisor: LED de alimentación
D	LED batería baja
E	Visor
F	Selector de alineación vertical
G	Selector de alineación horizontal
H	Selector de frecuencia del haz de 4 canales

Funciones del interruptor

Advertencia: No cambie los ajustes predeterminados salvo para el temporizador ahorro de batería. Consulte *Temporizador ahorro de batería* para obtener más información. Cambiar otros ajustes predeterminados puede provocar el funcionamiento incorrecto del dispositivo y el aumento de posibilidades de fallos o falsas alarmas.

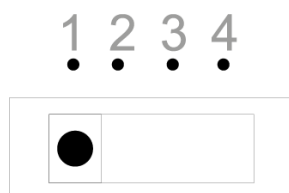
Receptor

- 1 y 2: Interruptor de regulación de la interrupción del haz
- 3: Interruptor del temporizador ahorro de batería
- 4: No se utiliza. No cambie la posición de dicho interruptor.
- 5: Interruptor de selección N.C./N.O.

Transmisor

- 1: Interruptor del temporizador ahorro de batería
- 2: No se utiliza. No cambie la posición de dicho interruptor.
- 3: Interruptor de selección N.C./N.O.

Ajustar el selector de frecuencia del haz de 4 canales



El selector de frecuencia del haz de 4 canales sirve para evitar interferencias indeseadas, que pueden producirse al usar múltiples haces fotoeléctricos para distancias largas o aplicaciones de apilado de haces. Use el interruptor suministrado para seleccionar entre 4 frecuencias de haces separadas.

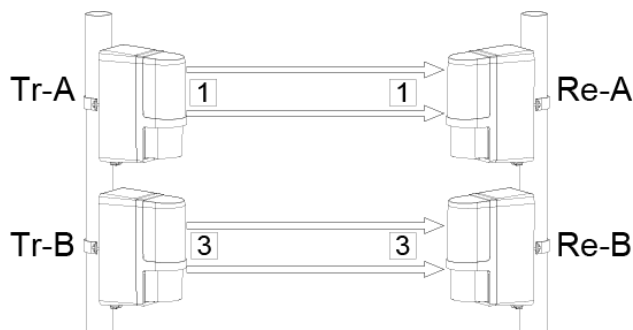
- Asegúrese de que el receptor y el transmisor, que se miran entre sí, estén ajustados para el mismo canal.
- No se permiten aplicaciones dobles de apilado.

Nota: Conmute siempre los canales de dos frecuencias por separado cuando haya dispositivos de apilado sobre otros. Consulte el siguiente ejemplo. El dispositivo superior está configurado en el canal 1, mientras que el inferior lo está en el canal 3, los canales 2 y 4 podrían haberse usado también.

a) Posición doble apilado

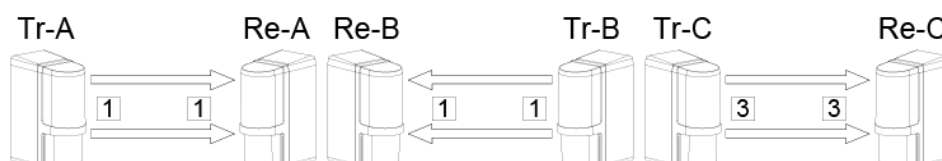
El receptor B puede recibir el haz infrarrojo procedente del transmisor A, seleccione las frecuencias como se muestra en la figura. En la figura, cada número en el cuadrado indica un número de canal.

Leyenda	Componente
Tr-A	Transmisor A
Re-A	Receptor A

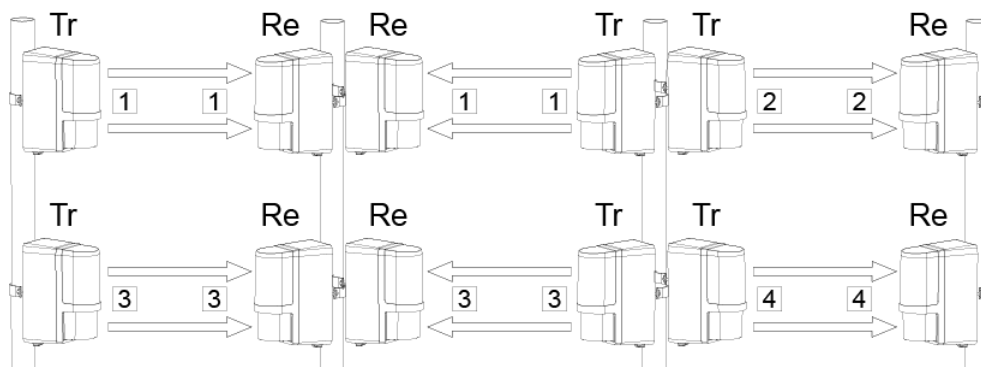


b) Protección de larga distancia

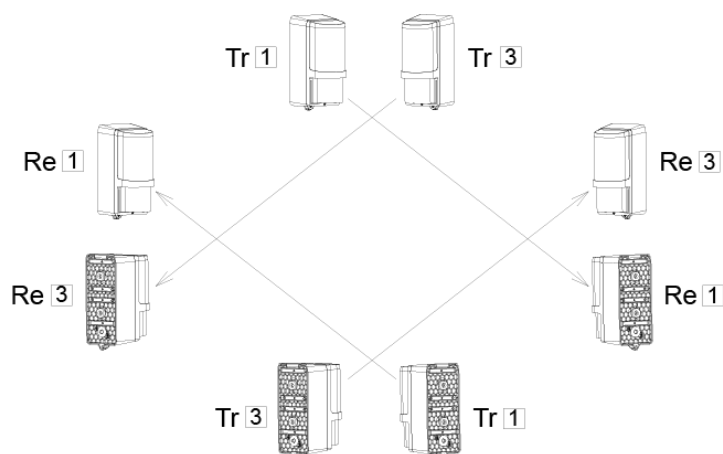
El receptor C puede recibir el haz infrarrojo del transmisor A, por lo que puede seleccionar sus frecuencias como se muestra en la figura de la izquierda.



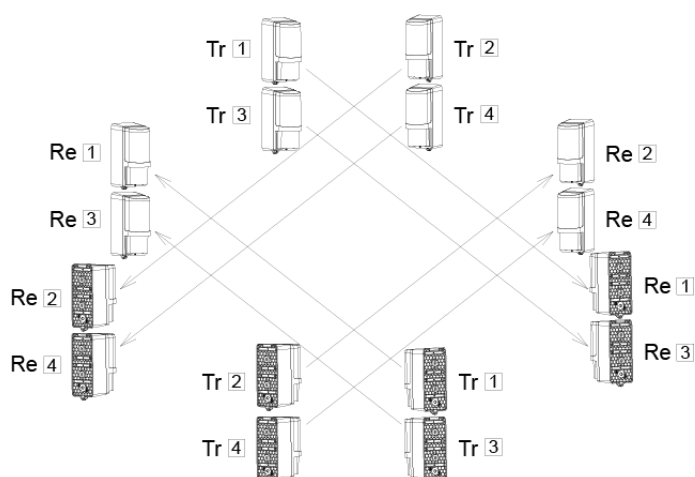
c) Protección de larga distancia doble apilado



d) Protección del perímetro



e) La protección del perímetro en una configuración de dos pilas



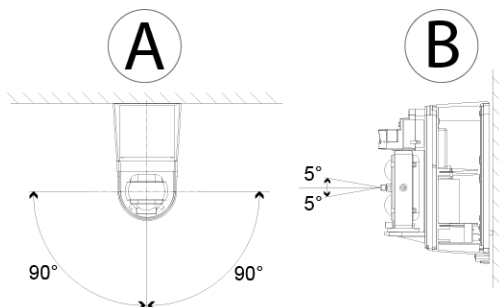
Advertencia:

- No intente instalar este producto con otros detectores fotoeléctricos. Ello puede causar el fallo del detector o una falsa alarma.

Alineación óptica

Tras el montaje, realice una alineación óptica para asegurarse de que el dispositivo funcione en un modo fiable.

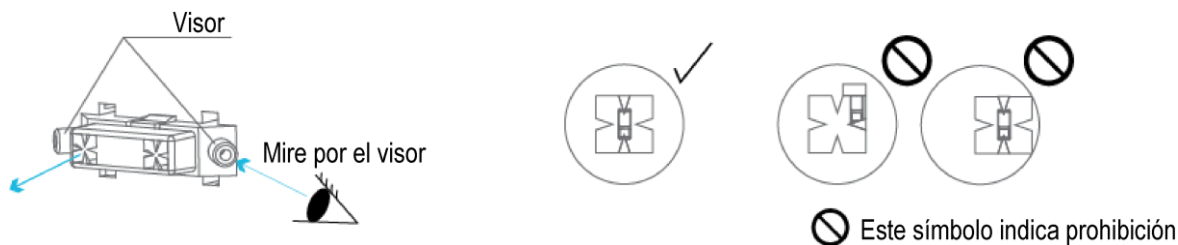
Ángulos de alineación



Leyenda	Componente
A	Ángulo de alineación horizontal
B	Ángulo de alineación vertical

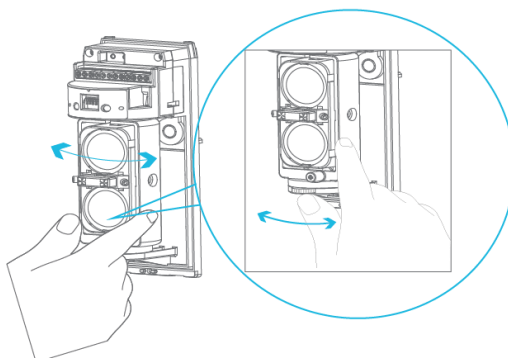
Alineación del dispositivo

1. Asegúrese de que las posiciones del selector de frecuencia del haz del transmisor y el receptor emparejadas sean las mismas. Para obtener más información, consulte la sección *Selector de frecuencia del haz de 4 canales*.
2. Mirando a través del visor, regule los ángulos horizontal y vertical para que el detector emparejado se encuentre en el centro de la vista.

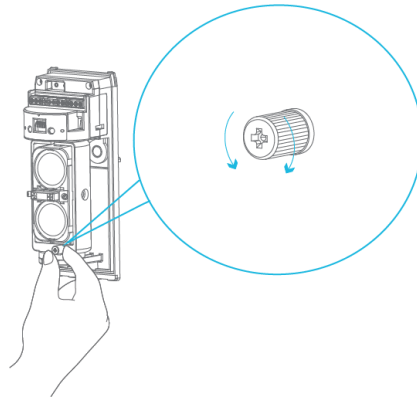


- c. Para una alineación aproximada del ángulo horizontal, sujete la lente y muévala hacia la izquierda o la derecha.

Para una alineación precisa del ángulo horizontal, gire el selector de alineación horizontal.



- d. Para la alineación precisa del ángulo vertical, gire el selector de alineación vertical con un dedo o con un destornillador Phillips. Gire el selector hacia la derecha para alinear la lente hacia arriba. Gire el selector hacia la izquierda para alinear la lente hacia abajo.

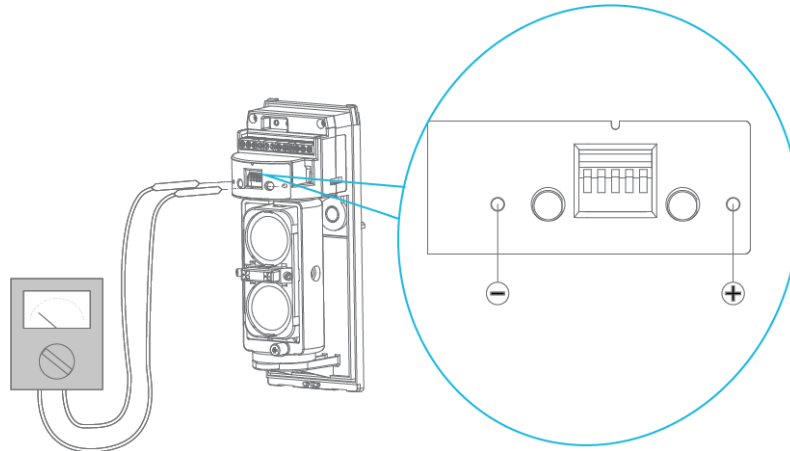


3. Regule los ángulos horizontal y vertical, mientras que controla el LED indicador de alarma en el receptor de emparejamiento.

LED indicador de alarma	Haz no recibido	Haz recibido			
	ENCENDIDO (rojo)	Parpadeo rápido	Parpadeo lento	APAGADO	
Nivel de ajuste	Re-ajuste del ángulo		Suficiente	Bien	Excelente
Salida toma del monitor	0 V		> 1,0 V	> 2,0 V	> 2,5 V

Nota: El LED indicador de alarma es una herramienta de soporte para facilitar la alineación. Realice la alineación precisa para asegurar el nivel máximo de salida por la toma del monitor.

4. Tras haber controlado el indicador de alarma, realice la alineación precisa con el voltímetro para el transmisor y el receptor. Introduzca cada sonda del voltímetro. Configure la gama del voltímetro de 5 a 10 VCC.



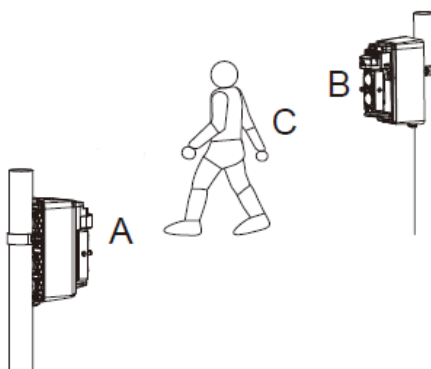
5. Siga efectuando la alineación precisa, hasta que alcance una salida mínima del monitor "buena", o mayor que 2,0 V.

Probar el dispositivo

Tras haber acabado la instalación, complete los siguientes pasos para probar que el dispositivo funciona correctamente:

1. Asegúrese de que el LED indicador de alarma esté apagado. Si el LED está encendido con los haces no bloqueados, realice los pasos destacados en la sección *Alineación óptica* de nuevo.
2. Asegúrese de que los LEDs indicadores de batería baja estén apagados en el transmisor y el receptor. Si el LED indicador de la batería parpadea, sustituya las baterías del dispositivo.
3. Haga una prueba de recorrido para comprobar que el LED indicador de alarma, en el receptor, se encienda cuando al andar se interrumpen los haces.
Asegúrese de efectuar una prueba de recorrido en los tres puntos siguientes:
 - A. Delante del transmisor
 - B. Delante del receptor
 - C. En un punto central entre el transmisor y el receptor

Efectuar una prueba de recorrido



La instalación y la alineación se han completado cuando el LED indicador de alarma se enciende en los tres puntos de la prueba de recorrido.

4. (Opcional) Si se usa, habilite el temporizador ahorro de batería tras haber completado la prueba de recorrido. Consulte *Temporizador ahorro de batería*.

Indicaciones del LED

La tabla siguiente describe el significado de las indicaciones del LED del dispositivo.

Estado del detector	Indicaciones del LED
Potencia ENCENDIDA	El LED de potencia se enciende.
Detección (interrupción del haz)	El LED indicador de alarma se enciende.
Potencia baja de la batería	El LED de batería baja parpadea.

Solución de problemas

Si el LED indicador de alarma está apagado o parpadea cuando el haz se interrumpe, complete los siguientes pasos:

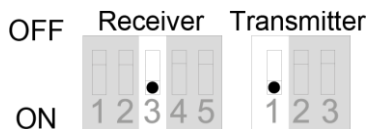
1. Realice los pasos de la sección *Alineación óptica* de nuevo.
2. En una configuración de varios detectores, el receptor puede recibir el haz infrarrojo de un transmisor no emparejado. Consulte *Selector de frecuencia del haz de 4 canales* y controle el ajuste del selector de frecuencia del haz de 4 canales.
3. El haz del transmisor puede llegar al receptor reflejándose en el suelo o la pared de un edificio. Los buenos reflectores de luz visible son también buenos reflectores de haces infrarrojos. Retire los objetos reflectantes alrededor del detector o instale el detector en otro lugar y luego alinee de nuevo el eje óptico.

Temporizador ahorro de batería

Active el temporizador ahorro de batería tras la instalación para evitar un consumo extra de batería y eventos de alarmas múltiples. La activación del temporizador ahorro de batería configura un periodo de tiempo, que empieza cuando el detector detecta y transmite un evento. Solamente se transmite un evento durante este periodo y los otros eventos sucesivos no se transmiten hasta que dicho periodo finaliza.

Ajustar el temporizador ahorro de batería

La tabla siguiente indica los periodos para cada salida, cuando activa el temporizador ahorro de batería.



Función	Duración salida para un solo evento
Salida alarma	2 minutos
Salida DQ	2 minutos
Salida batería baja	15 minutos

Notas:

- El temporizador ahorro de batería debe apagarse para probar efectivamente el dispositivo.
- Debe fijar en un modo seguro la tapa en el dispositivo para habilitar el ahorro de batería.

Sustitución de las baterías

1. Extraiga todas las baterías del dispositivo.
2. Gire el interruptor PowerG para situarlo en la posición OFF.
3. Sustituya todas las baterías.
4. Gire el interruptor PowerG para situarlo en la posición ON.

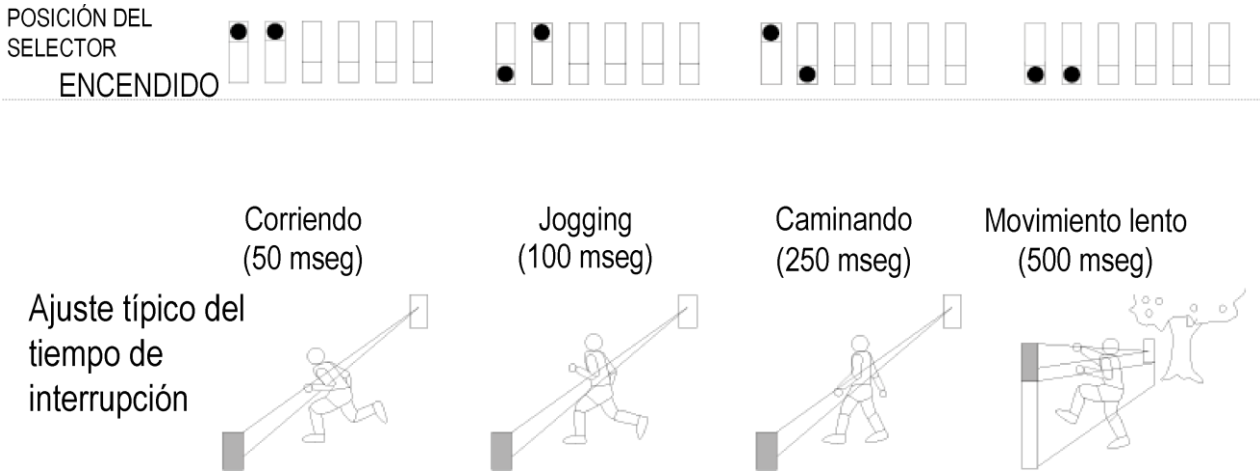
Nota: La extracción de todas las baterías garantiza que el LED indicador de batería baja se restablezca.

Ajustes opcionales

Advertencia: Cambiar otros ajustes predeterminados puede provocar el funcionamiento incorrecto del dispositivo y el aumento de posibilidades de fallos o falsas alarmas.

Regulación del tiempo de interrupción del haz

Puede determinar los ajustes del tiempo de interrupción del haz para el objetivo previsto para los detectores usando una de las cuatro posiciones siguientes del selector. El ajuste predeterminado es 50 ms.



Salida D.Q. (descalificación ambiental)

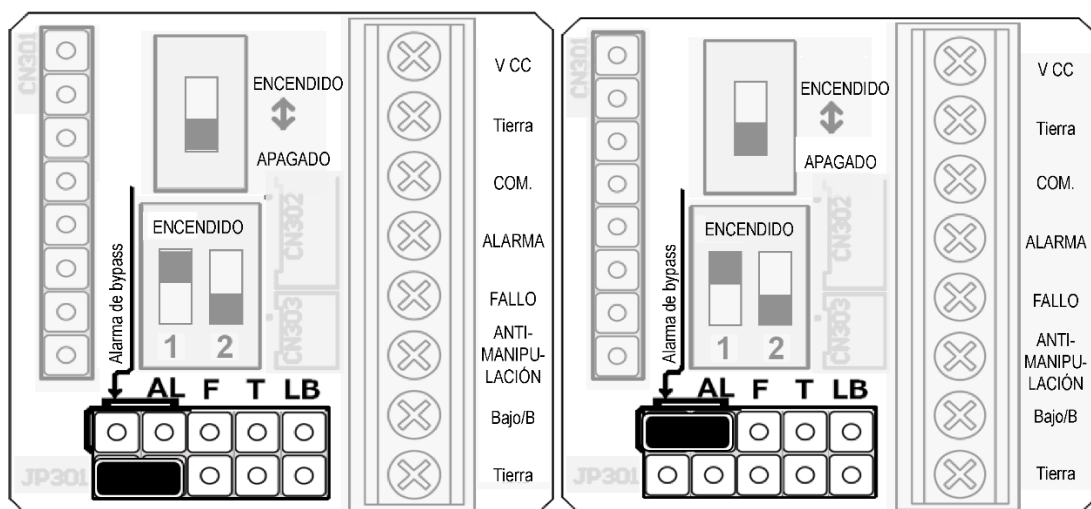
La función salida D.Q. detecta cuando la intensidad del haz desciende por debajo de niveles aceptables debido a factores ambientales, como son la lluvia, la nieve o la niebla. Si la intensidad del haz es baja durante más de 20 segundos por las antedichas condiciones, una señal de la salida D.Q. es enviada desde el receptor. La señal vuelve a ser normal cuando la intensidad del haz se sitúa en niveles aceptables durante más de dos segundos.

Nota: La salida D.Q. no es evaluada por UL.

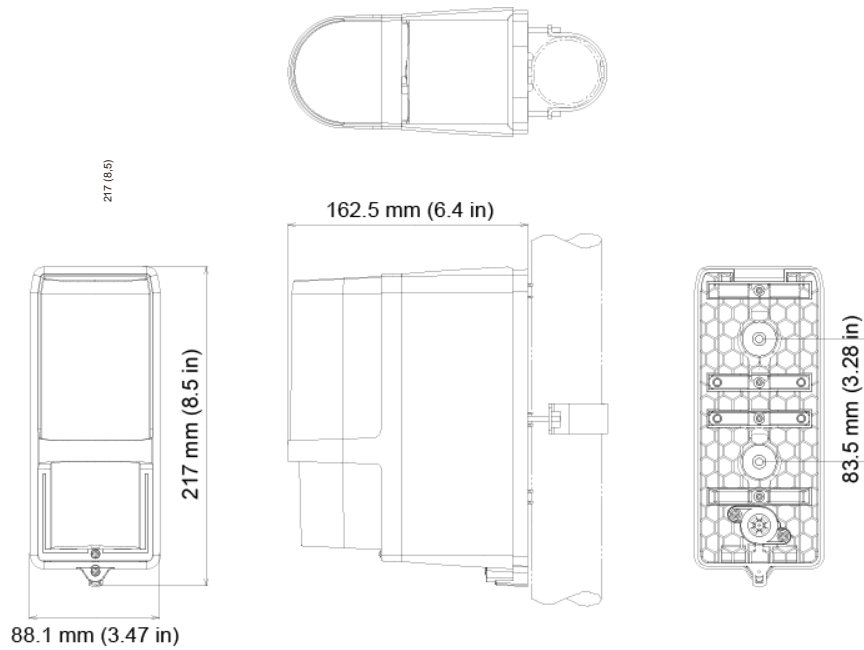
La señal de la salida D.Q. puede configurarse para uno de los siguientes usos:

- **Salida separada:** Envía una señal al panel indicando que el detector no funciona efectivamente debido a las condiciones meteorológicas.
- **Alarma de bypass:** Desvía la alarma cuando la salida D.Q. es activada por condiciones meteorológicas adversas.

Puede configurar otra opción con los siguientes ajustes del pin del puente en el cuadro de la interfaz del receptor:



Dimensiones



Especificaciones

GENERAL

Gama: 60 m (200 pies)

Método de detección: Detección de la interrupción del haz infrarrojo

Selección de la frecuencia del haz: 4 canales

Periodo de interrupción: Variable entre 50, 100, 250 y 500 ms

Fuente de potencia: Recomendada: baterías de litio de 3,6 V, 13,0 Ah LSH20 fabricadas por SAFT.

Llamada de corriente: 810 μ A T: 490 μ A + R: 320 μ A (a 77 °F (25 °C), 3,6 VCC)

Duración de la batería: Transmisor: Aproximadamente 3 años. Receptor: Aproximadamente 5 años. *

Nota: * La especificación de la duración de la batería es aplicable solamente si se usan las baterías recomendadas. Consulte [Pedido de las baterías del detector](#). El uso de otros tipos de baterías puede afectar a la expectativa de duración de la batería o a las prestaciones del producto.

INDICADORES

Indicador de alarma (Receptor): Luz encendida - Haz no recibido. Luz parpadeante - Hazes infrarrojos no recibidos suficientemente.

Luz apagada - Haz recibido.

Potencia (Transmisor): Potencia ENCENDIDA: ENCENDIDO, Potencia APAGADA: APAGADO

Batería baja: Reducción de la tensión: parpadeo

Temperatura de funcionamiento: De -4°F a +140°F (de -20°C a +60°C)

Humedad ambiente operativa: 95% (Máx.)

Ángulo de alineación: $\pm 90^\circ$ Horizontal, $\pm 5^\circ$ Vertical

Peso: 1600 g (56,4 oz) (peso total del transmisor y el receptor sin accesorios)

Grado de resistencia al agua: IP55

Frecuencia: 912-919 MHz 128/256 intervalos de segundo

Las especificaciones y el diseño están sujetos a cambio sin aviso previo.

Nota: Estos dispositivos están diseñados para detectar a intrusos y activan un panel de control de alarma. Los dispositivos forman parte de un sistema completo y, por consiguiente, el fabricante no es responsable por los daños o las consecuencias derivados de una intrusión.

Cumplimiento de normativas

EE.UU.: Parte 15 FCC- CFR 47
UL Resi/Com Burg: UL639

Canadá: IC RSS – 247
ULC Resi/Com Burg ULC-S306



Este dispositivo cumple la parte 15 de las normas FCC y la licencia de la industria Canadá salvo el(los) estándar(es) RSS. El funcionamiento está sujeto a las dos condiciones siguientes: (1) Este dispositivo no puede causar interferencias perjudiciales, y (2) este dispositivo puede recibir interferencias, incluidas aquellas interferencias que pueden causar un funcionamiento indeseado.

Para cumplir la sección 1.1310 de FCC sobre la exposición humana a campos electromagnético de radiofrecuencia y los requisitos IC, implemente la siguiente instrucción: Durante el funcionamiento del equipo, se debe mantener una distancia mínima de 20 cm entre el equipo y todas las personas.

NOTA: Este equipo ha sido probado y se ha demostrado que cumple con los límites de un dispositivo digital de Clase B, de conformidad con el apartado 15 de las normas de la FCC. Estos límites están pensados para proporcionar una protección razonable contra interferencias perjudiciales en una instalación residencial. Este equipo genera, utiliza y puede irradiar energía de radiofrecuencia y, si no se instala y utiliza de acuerdo con las instrucciones, puede causar interferencias perjudiciales en las comunicaciones de radio. Sin embargo, no se garantiza que las interferencias no se produzcan en una instalación particular. Si este equipo provoca interferencias perjudiciales para la recepción de radio o televisión, lo cual se puede comprobar apagando y encendiendo el equipo, se recomienda que el usuario corrija la interferencia adoptando una o más de las medidas a continuación: Reoriente o reubique la antena receptora. Aumente la distancia entre el equipo y el receptor. Conecte el equipo a una toma en un circuito distinto al cual esté conectado el receptor. Solicite ayuda al vendedor o a un técnico de radio/TV capacitado.

- Este aparato digital de Clase B se ajusta a la normativa canadiense ICES-003.

¡ADVERTENCIA! Los cambios o las modificaciones, aportados a esta unidad sin estar aprobados expresamente por el responsable para la conformidad, podrían invalidar la autoridad del usuario para usar el equipo.

Notas UL/ULC

Cada modelo PG9200AX, que funciona en la banda de frecuencias 912-919MHz está certificado UL/ULC. El PG9200AX ha sido certificado por UL para aplicaciones contra robos comerciales residenciales y por ULC para aplicaciones contra robos residenciales según los requisitos establecidos en las normas UL 639 y ULC-S306 para las unidades de detección de intrusiones.

Para las instalaciones certificadas UL/ULC, use estos dispositivos solo conjuntamente con los receptores inalámbricos DSC compatibles: HSM2HOST9, HS2LCDRF(P)9, HS2ICNRF(P) 9, PG9920, PowerSeries NEO (v1.37 y superiores), PowerSeries Pro (v1.31 y superiores), IQPanel2 (v2.6 y superiores), IQHub (v3.0 y superiores), IQPanel4 (v4.0 y superiores). Tras la instalación, compruebe el funcionamiento del producto junto con el receptor compatible usado.

DECLARACIÓN DE CONFORMIDAD FCC

¡ADVERTENCIA! Los cambios o las modificaciones, aportados a esta unidad sin estar aprobados expresamente por el responsable para la conformidad, podrían invalidar la autoridad del usuario para usar el equipo.

Este dispositivo ha sido sometido a pruebas y resulta conforme con los límites establecidos para un dispositivo digital de Clase B, según la parte 15 de las normas FCC. Dichos límites están diseñados para proporcionar una protección razonable contra interferencias perjudiciales en instalaciones residenciales. Este equipo genera, utiliza y puede irradiar energía de radiofrecuencia y, si no se instala y utiliza de acuerdo con las instrucciones, puede causar interferencias perjudiciales en la recepción de radio y televisión. Sin embargo, no se garantiza que las interferencias no se produzcan en una instalación particular. Si este dispositivo provoca interferencias perjudiciales, lo cual se puede comprobar apagando y encendiendo el dispositivo, se recomienda que el usuario intente eliminar la interferencia adoptando una o varias de las siguientes medidas:

- Reoriente o reubique la antena receptora.
- Aumente la distancia entre el equipo y el receptor.
- Conecte el dispositivo a una toma de un circuito distinto al que está conectado el receptor.
- Solicite ayuda al distribuidor o a un técnico de radio/TV experimentado.

ID DE LA FCC: F5318PG9200AX

Declaración de Innovation Science and Economic Development Canada (ISED)

Este equipo cumple con los límites de exposición a radiaciones RF de la FCC e ISED de Canadá establecidos para un entorno no controlado.

Este dispositivo cumple con la Parte 15 de las Reglamentaciones FCC y con las normas RSS del sector exentas de licencia de ISED de Canadá. El funcionamiento está sujeto a las dos condiciones siguientes:

(1) Este dispositivo no debe causar interferencia peligrosa; y (2) este dispositivo debe aceptar cualquier interferencia que pueda recibir o que pueda causar un funcionamiento no deseado.

Para cumplir con la Sección 1.1310 de FCC de exposición de personas a campos electromagnéticos de radiofrecuencia y requisitos IC, implementar la siguiente instrucción: Durante el funcionamiento del equipo, se debe mantener una distancia mínima de 20 cm entre el equipo y todas las personas.

IC: 160A-PG9200AX

Las siglas IC, que preceden al número de certificación de seguridad radioeléctrica, simplemente señalan que se cumplen las especificaciones técnicas industriales de Canadá. Este aparato digital de Clase B se ajusta a la normativa canadiense ICES-003. Este dispositivo cumple la RSS-247 industrial de Canadá. El funcionamiento está sujeto a las dos condiciones siguientes: (1) este dispositivo no debe causar interferencias y (2) este dispositivo debe aceptar cualquier interferencia, incluyendo aquellas que puedan provocar un funcionamiento no deseado del dispositivo.

Garantía limitada

Digital Security Controls garantiza que, durante un periodo de 12 meses, desde la fecha de compra el producto no presentará defectos materiales o de mano de obra bajo condiciones de uso normal y que, en ejecución de cualquier infracción de dicha garantía, Digital Security Controls, a su juicio, reparará o sustituirá el equipo defectuoso tras el retorno del equipo a su almacén de reparación. Esta garantía es aplicable solamente para los defectos de partes y de mano de obra y no para los daños ocasionados durante el envío o la manipulación, o para daños derivados de otras causas fuera del control de Digital Security Controls, tales como rayos, tensión excesiva, choques mecánicos, daños causados por el agua, o daños derivados de descuidos, alteración o aplicación impropia del equipo.

La anterior garantía es aplicable solamente al comprador original y reemplaza cualquier otra garantía, aunque expresada o implicada y todas las otras obligaciones o responsabilidades por parte de Digital Security Controls. Digital Security Controls no asume la responsabilidad ni autoriza a personas que presuntamente actúan en su nombre a modificar o a cambiar esta garantía ni asume otra garantía o responsabilidad respecto de este productos.

En ningún caso, Digital Security Controls será responsable de daños directos, indirectos o derivados, de la pérdida de lucro cesante anticipado, de la pérdida de tiempo o de cualquier otra pérdida ocasionada al comprador en relación con la compra, la instalación o funcionamiento o fallo de este producto.

Advertencia: *Digital Security Controls recomienda probar el sistema completo de forma periódica. No obstante, a pesar de realizar pruebas periódicas, y debido a, pero también por otros motivos, la manipulación delictiva o por fallos eléctricos, es posible que este producto no ofrezca el rendimiento previsto.*

Información importante: *Los cambios o las modificaciones, no aprobados expresamente por Digital Security Controls, podrían invalidar la autoridad del usuario para usar el equipo.*

IMPORTANTE - LEA DETENIDAMENTE: El software DSC, adquirido con o sin productos y componentes, están protegido por derechos de autor y se adquiere bajo los siguientes términos de licencia:

- Este contrato de licencia de usuario final ("EULA") es un contrato legal entre usted (la empresa, persona física o la entidad que adquirió el software y el hardware relativo) y Digital Security Controls, una unidad de negocio de Tyco Safety Products Canada Ltd. ("DSC"), el fabricante de los sistemas de seguridad integrados y el desarrollador del software y de cualquier producto relacionado o componentes ("HARDWARE") que usted adquirió.

- Si se contempla que el producto software DSC ("PRODUCTO DE SOFTWARE" o "SOFTWARE") ha de ir acompañado por el HARDWARE, y NO va acompañado por un nuevo HARDWARE, no debe usar, copiar o instalar el PRODUCTO DE SOFTWARE. El PRODUCTO DE SOFTWARE incluye un software de PC y puede incluir medios asociados, materiales impresos, y documentación electrónica u "online".

- Cualquier software entregado con el PRODUCTO DE SOFTWARE asociado con un contrato de licencia de usuario final por separado le otorga una licencia bajo los términos de este contrato de licencia. • Al instalar, copiar, descargar, almacenar, acceder o usar de otro modo el PRODUCTO DE SOFTWARE PRODUCT, acepta sin condiciones quedar limitado a los términos de este EULA, aunque este EULA sea considerado una modificación de cualquier disposición o contrato. Si no acepta los términos de este EULA, DSC no le otorgará la licencia del PRODUCTO DE SOFTWARE y no tendrá derecho a usarlo.

LICENCIA

El PRODUCTO DE SOFTWARE está protegido por las leyes de derechos de autor y los tratados internacionales de derechos de autor, así como por otras leyes y tratados de propiedad intelectual. El PRODUCTO DE SOFTWARE se otorga bajo licencia, no se vende.

1. CONCESIÓN DE LICENCIA: Este EULA le otorga los siguientes derechos:

(a) Instalación y uso del software - Por cada licencia que Usted adquiera, solo podrá tener instalada una copia del PRODUCTO DE SOFTWARE.

(b) Almacenamiento/Uso en Red - El PRODUCTO DE SOFTWARE no se puede instalar, acceder, visualizar, ejecutar, compartir o usar de forma concurrente en uno o desde diferentes ordenadores, incluyendo una estación de trabajo, terminal u otro dispositivo electrónico digital ("Dispositivo"). En otras palabras, si tiene varias estaciones de trabajo, tendrá que adquirir una licencia para cada estación de trabajo en la que se utilice el SOFTWARE.

(c) Copia de seguridad - Usted puede hacer copias de seguridad del PRODUCTO DE SOFTWARE, pero solo puede tener una copia por licencia instalada en cualquier momento. Puede utilizar la copia de seguridad únicamente con fines de archivo. Salvo lo dispuesto expresamente en este EULA, Usted no puede hacer copias del PRODUCTO DE SOFTWARE, incluyendo los materiales impresos que acompañan al SOFTWARE.

2. DESCRIPCIÓN DE OTROS DERECHOS Y LIMITACIONES

(a) Limitaciones a la ingeniería inversa, la descompilación y el desensamblaje - Usted no puede realizar ingeniería inversa, descompilar o desensamblar el PRODUCTO DE SOFTWARE, excepto y solo en la medida en que dicha actividad esté expresamente permitida por la ley aplicable, a pesar de esta limitación. No puede hacer ningún cambio ni modificación al Software, sin el permiso por escrito de un representante de DSC. Usted no puede eliminar ningún aviso, marca o etiqueta del propietario del Producto de Software. Deberá adoptar medidas razonables para garantizar el cumplimiento de los términos y condiciones de este EULA.

(b) Separación de componentes - El PRODUCTO DE SOFTWARE se licencia como un solo producto. Sus componentes no se pueden separar para ser utilizados en más de una unidad de HARDWARE.

(c) PRODUCTO INTEGRADO Único - Si adquirió este SOFTWARE con HARDWARE, entonces el PRODUCTO DE SOFTWARE se licencia con el HARDWARE como un producto integrado. En este caso, el PRODUCTO DE SOFTWARE solo se puede utilizar con el HARDWARE tal y como se establece en este EULA.

(d) Alquiler - Usted no puede alquilar, arrendar ni prestar el PRODUCTO DE SOFTWARE. No puede ponerlo a disposición de otros ni publicarlo en un servidor o sitio web.

(e) Transferencia del Producto de Software - Usted puede transferir todos sus derechos bajo este EULA solo como parte de una venta o transferencia permanente del HARDWARE, siempre que no conserve ninguna copia, que transfiera todo el PRODUCTO DE SOFTWARE (incluyendo todas las partes que lo componen, los medios y materiales impresos, cualquier actualización y este EULA), y siempre que el receptor acepte los términos de este EULA. Si el PRODUCTO DE SOFTWARE es una actualización, cualquier transferencia debe incluir también todas las versiones anteriores del PRODUCTO DE SOFTWARE.

(f) Terminación - Sin perjuicio de cualquier otro derecho, DSC puede terminar este EULA si Usted no cumple con los términos y condiciones de este EULA. En tal caso, debe destruir todas las copias del PRODUCTO DE SOFTWARE y todas sus partes componentes.

(g) Marcas comerciales - Este EULA no le otorga ningún derecho en relación con ninguna marca comercial o de servicio de DSC o de sus proveedores.

3. DERECHOS DE AUTOR

Todo derecho de propiedad y de propiedad intelectual sobre o hacia el PRODUCTO DE SOFTWARE (que incluye, entre otros, cualquier imagen, fotografía y texto incorporado en el PRODUCTO DE SOFTWARE), los materiales impresos adjuntos y cualquier copia del PRODUCTO DE SOFTWARE, son propiedad de DSC o de sus proveedores. Usted no puede copiar los materiales impresos que se adjuntan al PRODUCTO DE SOFTWARE. Todo derecho de

propiedad y de propiedad intelectual sobre o hacia los contenidos, a los cuales se puede acceder mediante el uso del PRODUCTO DE SOFTWARE, son propiedad del respectivo propietario del contenido y están protegidos por las leyes y tratados pertinentes de derecho de autor u otras leyes y tratados de propiedad intelectual. Este EULA no le otorga derecho alguno a usar dichos contenidos. Cualquier derecho que no se otorgue expresamente en virtud de este EULA está reservado por DSC y sus proveedores.

4. RESTRICCIONES A LA EXPORTACIÓN

Usted acepta que no exportará ni reexportará el PRODUCTO DE SOFTWARE a ningún país, persona o entidad sujeta a restricciones de exportación de Canadá.

5. ELECCIÓN DE JURISDICCIÓN

Este Acuerdo de Licencia de Software se rige por las leyes de la Provincia de Ontario, Canadá.

6. ARBITRAJE

Todas las disputas que surjan en relación con el presente Acuerdo se determinarán mediante un arbitraje definitivo y vinculante de acuerdo con la Ley de Arbitraje, y las partes aceptan quedar obligadas por la decisión de arbitraje. La sede del arbitraje será Toronto, Canadá, y el idioma del arbitraje será el inglés.

7. GARANTÍA LIMITADA

(a) NO HAY GARANTÍA - DSC PROPORCIONA EL SOFTWARE "TAL CUAL" SIN NINGUNA GARANTÍA. DSC NO GARANTIZA QUE EL SOFTWARE CUMPLE SUS REQUISITOS NI QUE EL FUNCIONAMIENTO DEL SOFTWARE NO SE INTERRUMPIRÁ O QUE ESTARÁ LIBRE DE ERRORES.

(b) CAMBIOS EN EL ENTORNO OPERATIVO - DSC no será responsable de los problemas causados por cambios en las características operativas del HARDWARE, o por problemas en la interacción del PRODUCTO DE SOFTWARE con productos que no sean SOFTWARE o HARDWARE de DSC.

(c) LIMITACIÓN DE LA RESPONSABILIDAD; LA GARANTÍA REFLEJA LA DISTRIBUCIÓN DEL RIESGO - EN CUALQUIER CASO, SI CUALQUIER LEY IMPLICA GARANTÍAS O CONDICIONES NO ESTABLECIDAS EN ESTE EULA, LA RESPONSABILIDAD TOTAL DE DSC EN VIRTUD DE ESTE CONTRATO DE LICENCIA SE LIMITARÁ AL MONTO QUE USTED PAGÓ REALMENTE PARA OBTENER BAJO LICENCIA EL PRODUCTO DE SOFTWARE Y CINCO DÓLARES CANADIENSES (CAD\$5.00). DEBIDO A QUE ALGUNAS JURISDICCIONES NO PERMITEN LA EXCLUSIÓN O LIMITACIÓN DE RESPONSABILIDAD POR DAÑOS EMERGENTES O CONTINGENTES, ES POSIBLE QUE LA LIMITACIÓN ANTERIOR NO SE APLIQUE A USTED.

(d) RENUNCIA A LAS GARANTÍAS - ESTA GARANTÍA CONTIENE LA GARANTÍA COMPLETA Y REEMPLAZA A CUALQUIER OTRA GARANTÍA, YA SEA EXPRESA O IMPLÍCITA (INCLUIDAS TODAS LAS GARANTÍAS IMPLÍCITAS DE COMERCIABILIDAD O IDONEIDAD PARA UN FIN DETERMINADO) Y DE TODAS LAS DEMÁS OBLIGACIONES O RESPONSABILIDADES POR PARTE DE DSC. DSC NO OFRECE NINGUNA OTRA GARANTÍA. DSC NO ASUME NI AUTORIZA A NINGUNA OTRA PERSONA QUE PRETENDA ACTUAR EN SU NOMBRE PARA MODIFICAR O CAMBIAR ESTA GARANTÍA, NI PARA ASUMIR CUALQUIER OTRA GARANTÍA O RESPONSABILIDAD EN RELACIÓN CON ESTE PRODUCTO DE SOFTWARE.

(e) REMEDIO EXCLUSIVO Y LIMITACIÓN DE LA GARANTÍA - BAJO NINGUNA CIRCUNSTANCIA DCS SERÁ RESPONSABLE DE NINGÚN DAÑO ESPECIAL, CONTINGENTE, EMERGENTE, DIRECTO O INDIRECTO QUE SE BASE EN UN INCUMPLIMIENTO DE GARANTÍA, INCUMPLIMIENTO DE CONTRATO, NEGLIGENCIA, RESPONSABILIDAD OBJETIVA, O CUALQUIER OTRA TEORÍA LEGAL. DICHOS DAÑOS INCLUYEN, ENTRE OTROS, PÉRDIDA DE GANANCIAS, PÉRDIDA DEL PRODUCTO DE SOFTWARE O CUALQUIER EQUIPO RELACIONADO CON ÉL, COSTE DE CAPITAL, COSTE DE EQUIPO DE SUSTITUCIÓN O REEMPLAZO, INSTALACIONES O SERVICIOS, TIEMPO DE INACTIVIDAD, TIEMPO DE LOS COMPRADORES, RECLAMACIONES DE TERCEROS, LO QUE INCLUYE LOS CLIENTES, Y DAÑOS A LA PROPIEDAD.

ADVERTENCIA: DSC recomienda probar el sistema completo de forma periódica. No obstante, a pesar de realizar pruebas periódicas, y debido a, pero también por otros motivos, la manipulación delictiva o por fallos eléctricos, es posible que este PRODUCTO DE SOFTWARE no ofrezca el rendimiento previsto.

Asegúrese siempre de obtener la última versión de la guía del usuario. Contacte a su distribuidor para disponer de las versiones actualizadas de esta guía de usuario.

© 2022 Johnson Controls. Todos los derechos reservados. JOHNSON CONTROLS, y DSC son marcas comerciales y/o marcas registradas. Queda estrictamente prohibido su uso sin autorización.

PG9200AX

Detector de feixe fotoelétrico sem fio

Recursos do detector

- Função de economia de bateria
- Seletor de frequência de feixe de 4 canais
- Classificação à prova d'água IP55 (Não avaliado pela UL)
- Circuito de desqualificação ambiental para configurar o comportamento em condições climáticas adversas
- Função contra adulteração
- Faixa de detecção externa de 62 metros (200 pés)

Introdução

O PG9200AX é um detector de feixe fotoelétrico sem fio PowerG que fornece proteção para perímetros externos. O detector de feixe consiste em um receptor e um transmissor.

Aviso: O não cumprimento das instruções fornecidas com este dispositivo, ou o manuseio inadequado, pode causar morte ou ferimentos graves.

Informação de Segurança

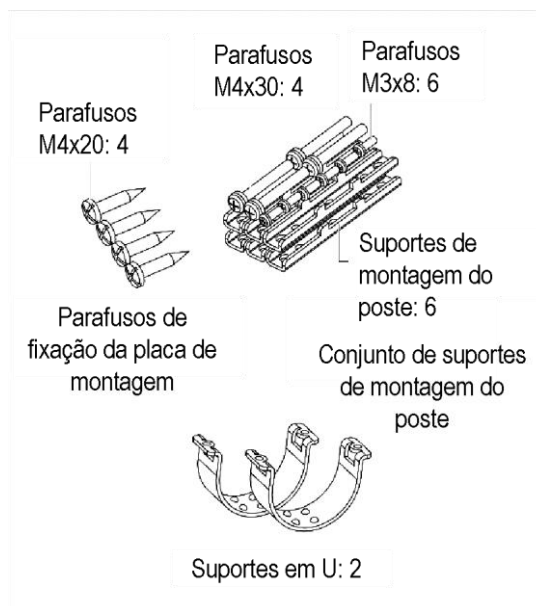
Advertências

- Não use o produto para outros fins que não sejam a detecção de objetos em movimento, como pessoas e veículos.
- Não use o produto para fins não intencionais, como ativar um obturador, o que pode causar um acidente.
- Não toque no produto quando estiver molhado, nem toque na base do dispositivo ou nos terminais de alimentação do produto com as mãos molhadas. Fazer isso pode causar choque elétrico.
- Não despeje água sobre o produto. Isso pode danificar os dispositivos.
- Nunca tente desmontar ou consertar o produto. Isso pode causar incêndio ou danificar os dispositivos.
- Não use baterias com diferentes níveis de energia restantes, por exemplo, baterias novas e usadas. Não seguir essas diretrizes pode resultar em explosão, vazamento de eletrólito, emissão de gases tóxicos ou outros resultados que podem ser prejudiciais às pessoas e à propriedade.
- Ao manusear as baterias, não recarregue, faça curto-circuito, esmague, desmonte, aqueça acima de 100°C (212°F), incinere ou exponha o conteúdo à água. Não solde diretamente na célula. Não seguir essas diretrizes pode resultar em incêndio, explosão ou risco de queimadura grave.
- Limpe e verifique o produto periodicamente para uso seguro. Se algum problema for encontrado, pare de usar o produto e mande repará-lo por um engenheiro ou eletricista profissional.

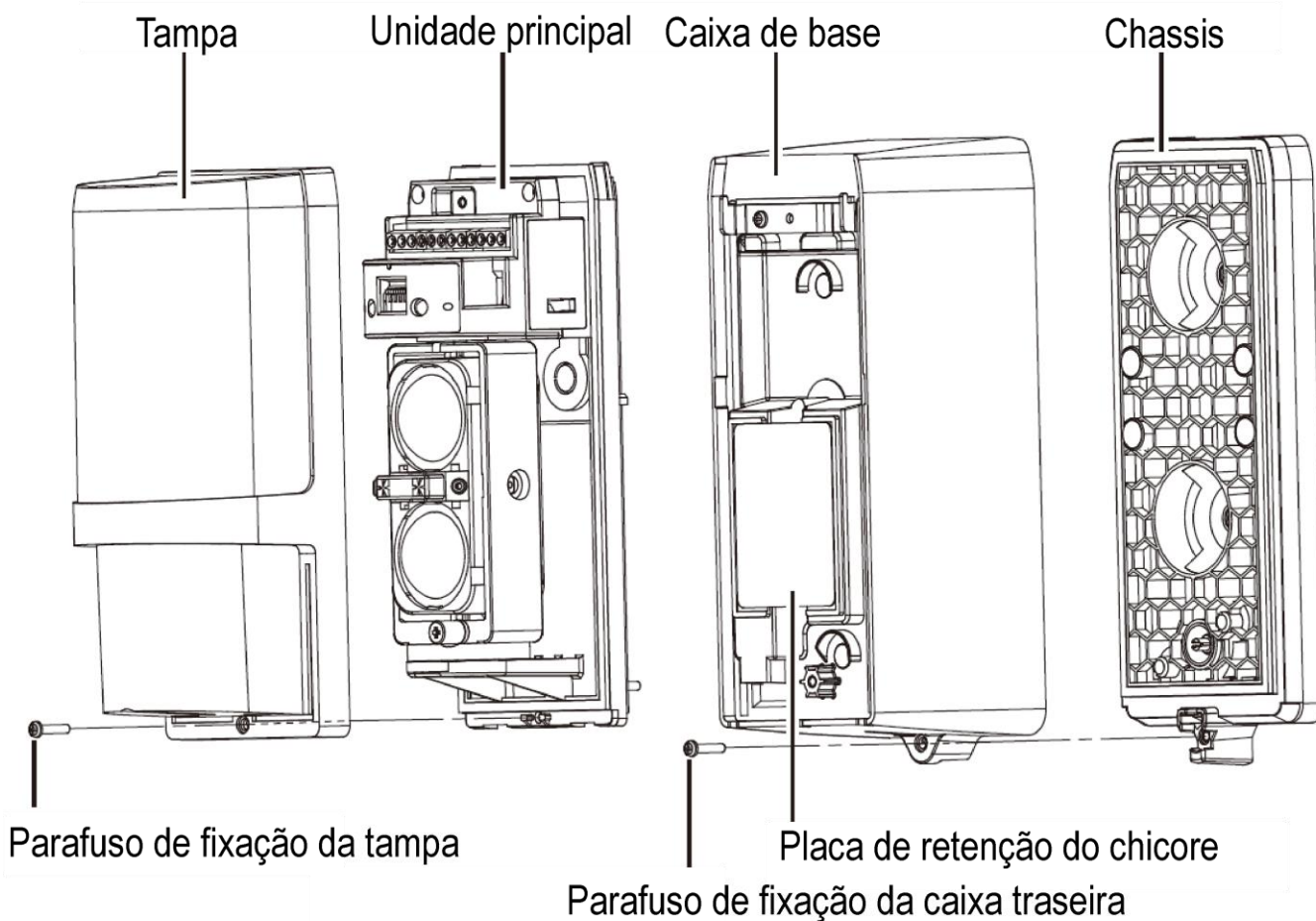
Conteúdo da caixa

- Módulos transmissores e receptores
- Documentação do produto
- Pacote de hardware

Acessórios



Identificação das peças



Pedido de baterias de detectores

As baterias especificadas para o dispositivo são quatro (4) baterias LSH20 fabricadas pela SAFT, duas para o transmissor e duas para o receptor.

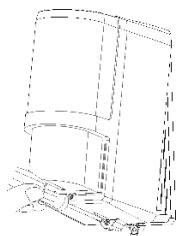
Para obter informações sobre baterias, acesse o site a seguir e entre em contato com o representante de vendas local da SAFT. Consulte <https://www.saftbatteries.com/products-solutions/products/lsh-lsh-lsp>

Desmontagem do dispositivo

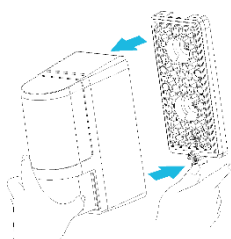
Nota: Conclua o processo de desmontagem do transmissor e do receptor antes de montar o dispositivo.

Desmonte o dispositivo antes de registrar e montar.

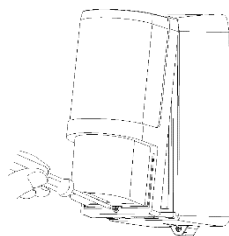
1. Afrouxe o parafuso de fixação da caixa traseira.



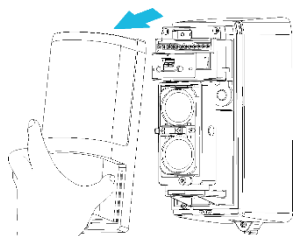
2. Pressione a aba na parte inferior da caixa traseira.



3. Afrouxe o parafuso na parte inferior da tampa.



4. Remova a tampa do chassi.



Registro

Painéis compatíveis

Os dispositivos são compatíveis com os seguintes painéis.

- PowerSeries NEO (v1.37 e posterior)
- PowerSeries Pro (v1.31 e posterior)
- IQ2+ (v2.6.2 e posterior)
- IQ Hub (v3.0.1 e posterior)
- IQ4 (v4.0.1 e posterior)

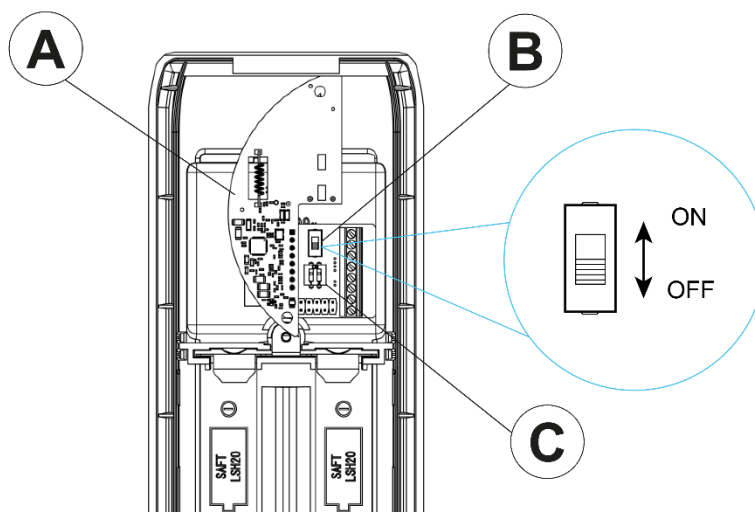
Registrando o dispositivo

O processo de inscrição começa quando você liga o módulo PowerG. O módulo PowerG é uma placa no detector.

Registre o transmissor e o receptor no painel de controle. Os módulos podem ser registrados em qualquer ordem.

Nota: Conclua o *registro do dispositivo* do transmissor e do receptor antes de montar o dispositivo.

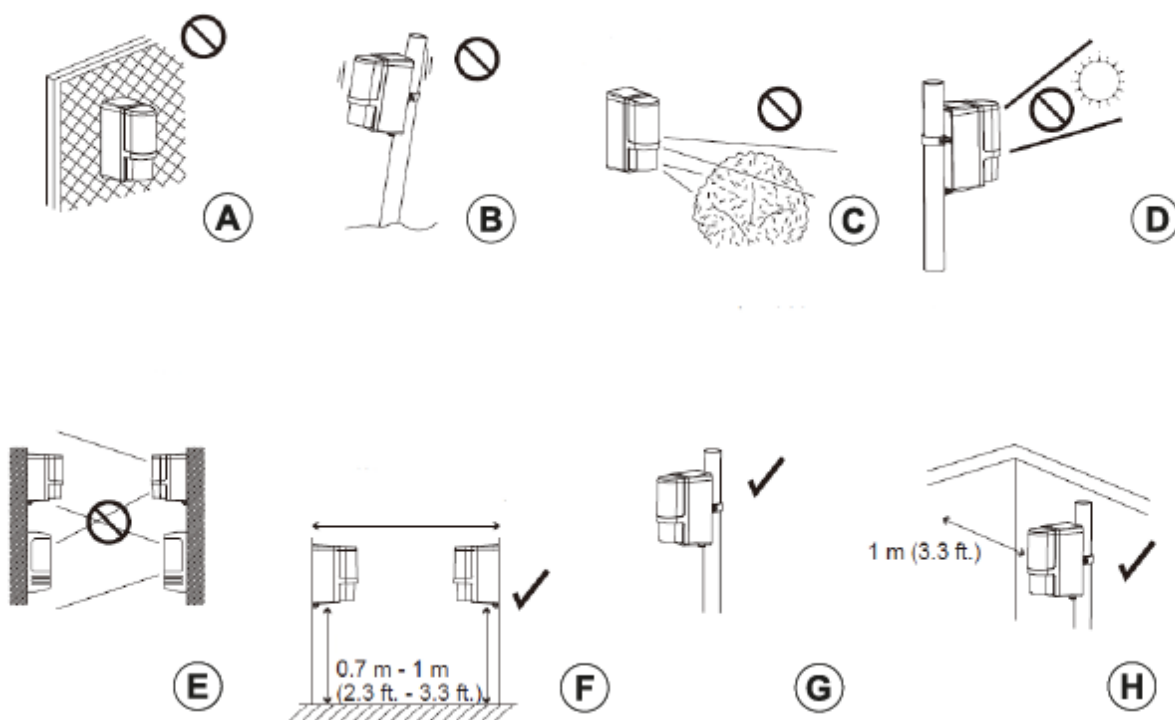
Visão interna



A	Placa-filha PowerG			
B	Chave de alimentação PowerG			
C	Chaves dip de configuração	Configuração	Chave dip 1	Chave dip 2
		Receptor	Ligado	Desligado
		Transmissor	Desligado	Desligado

1. Certifique-se de que o painel de controle esteja no modo de registro.
2. Instale as baterias no detector.
3. Gire o interruptor de alimentação do módulo PowerG localizado na placa de interface para a posição LIGADO. Consulte o manual de instalação do painel de controle para obter um conjunto completo de instruções de registro.
 - a. Se o procedimento de registro automático falhar, consulte as instruções do painel de controle e registre o dispositivo manualmente.
4. **Importante!** Gire a chave para a posição OFF e remova as baterias. Reinsira as baterias depois de montar o dispositivo.

Montagem do dispositivo

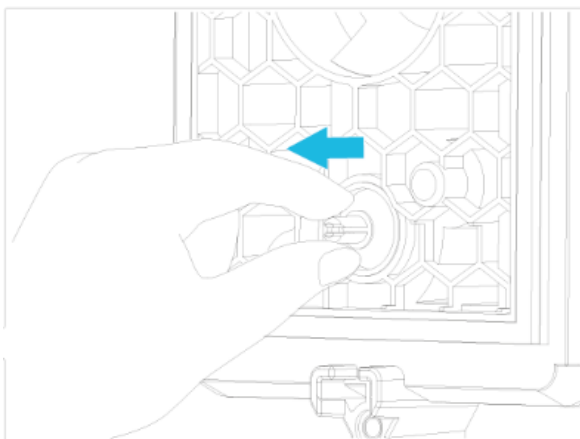


Legenda	Descrição
A	Não monte o dispositivo em uma superfície instável
B	Não monte o dispositivo em um poste instável
C	Não monte o dispositivo perto de árvores ou outros objetos que possam bloquear o feixe.
D	Evite montar o receptor sob luz solar direta. A luz solar pode afetar o desempenho do receptor.
E	Não monte o dispositivo onde o feixe infravermelho de um modelo diferente possa alcançar o receptor.
F	Monte o aparelho a uma altura entre 0,7 m a 1 m (2,3 pés a 3,3 pés).
G	Ao montar em um poste, o diâmetro do poste deve ser 34 - 48 mm (1,34 pol. - 1,89 pol.).
H	Monte o dispositivo a pelo menos 1 m (3,3 pés) de distância de uma parede ou cerca paralela ao feixe.

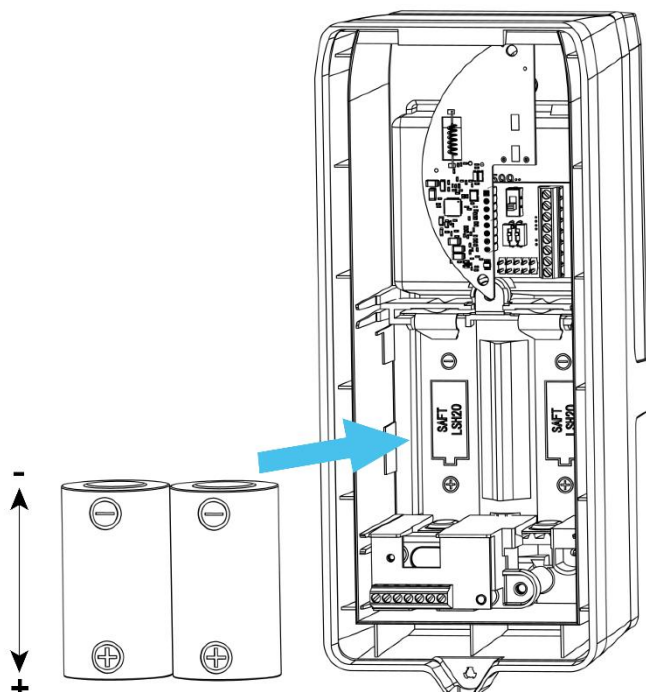
Cuidado: Você deve instalar completamente todos os componentes do detector para cumprir os requisitos do padrão IP55.

Montagem de um detector em uma parede

1. Afrouxe o parafuso de fixação da caixa traseira.
2. Remova o chassi da caixa traseira.
3. Use os parafusos de montagem na parede M4x20 fornecidos para fixar o chassi na parede.
4. Depois de montar o chassi, pegue a bucha antivolação com o polegar e o dedo indicador.
5. Posicione a bucha antivolação de forma que fique na vertical e se mova suavemente.



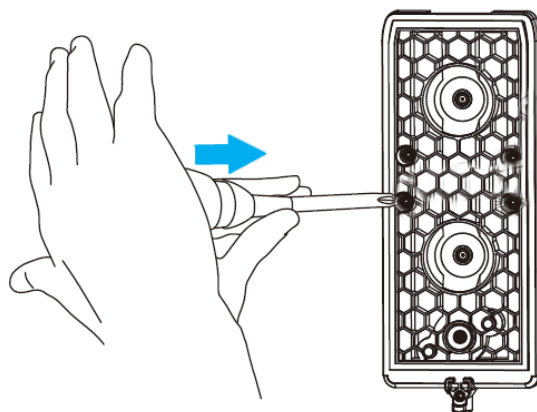
6. Insira duas baterias no compartimento da bateria dentro da caixa traseira e coloque a chave do módulo PowerG na posição ON (LIGADO).



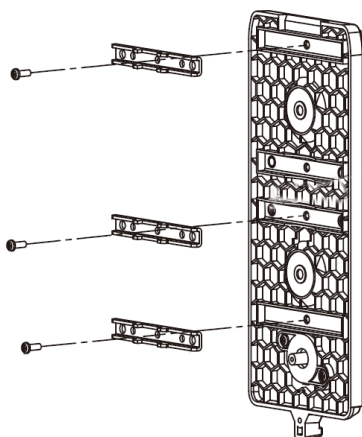
7. Prenda a caixa traseira ao chassi na parede.
8. Aperte o parafuso de fixação da caixa traseira.

Montagem de um detector em um poste

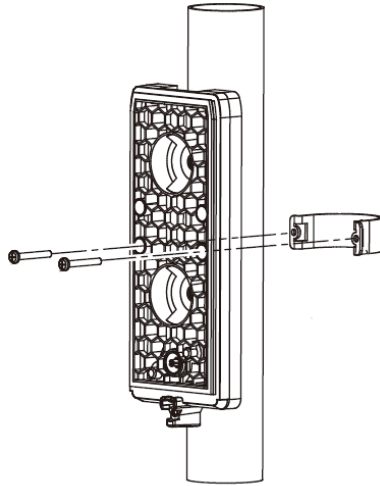
1. Afrouxe o parafuso de fixação da caixa traseira.
2. Remova o chassi da caixa traseira.
3. Usando uma chave de fenda ou ferramenta semelhante, rompa os orifícios no chassi.



4. Use os parafusos M3 x 8 fornecidos para prender os suportes de montagem de três postes ao chassi.



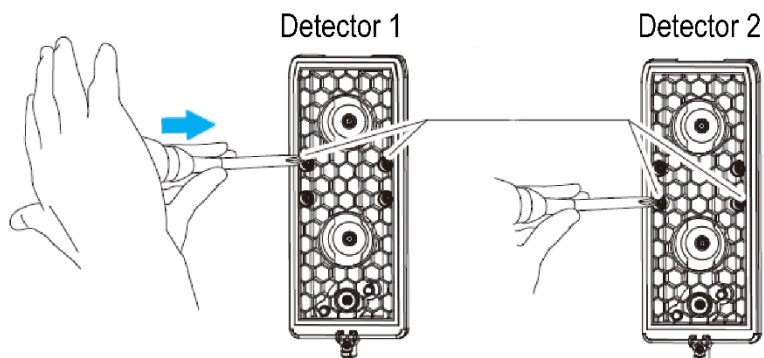
5. Use os parafusos M4x30 fornecidos e o suporte em U para montar o chassi no poste.



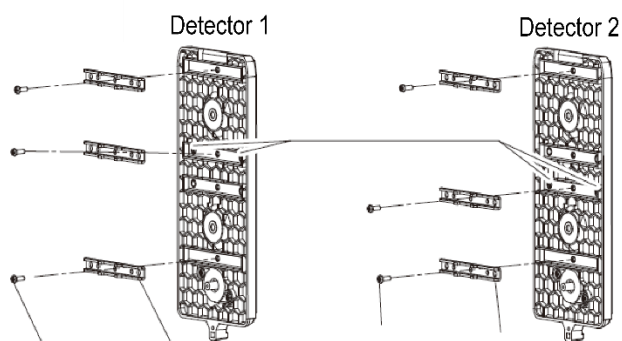
6. Conclua as etapas de 4 a 8 na seção *Montagem em uma parede*.

Montagem de um segundo detector na direção oposta em um poste

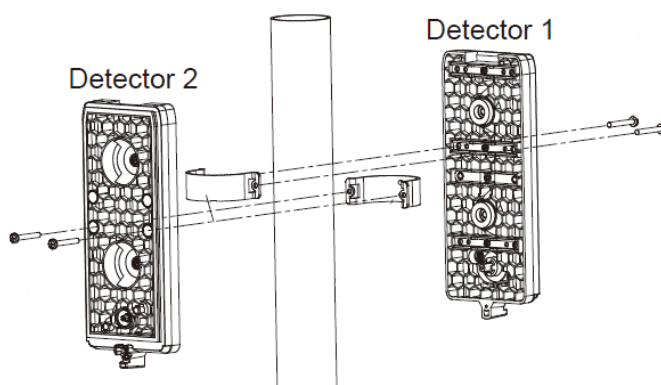
1. Remova o chassi da caixa traseira.
2. Usando uma chave de fenda ou ferramenta semelhante, rompa os orifícios no chassi de cada detector. Escolha diferentes pares de orifícios para o segundo detector.



3. Use os parafusos M3x8 fornecidos para prender três suportes de montagem ao chassi de cada detector.

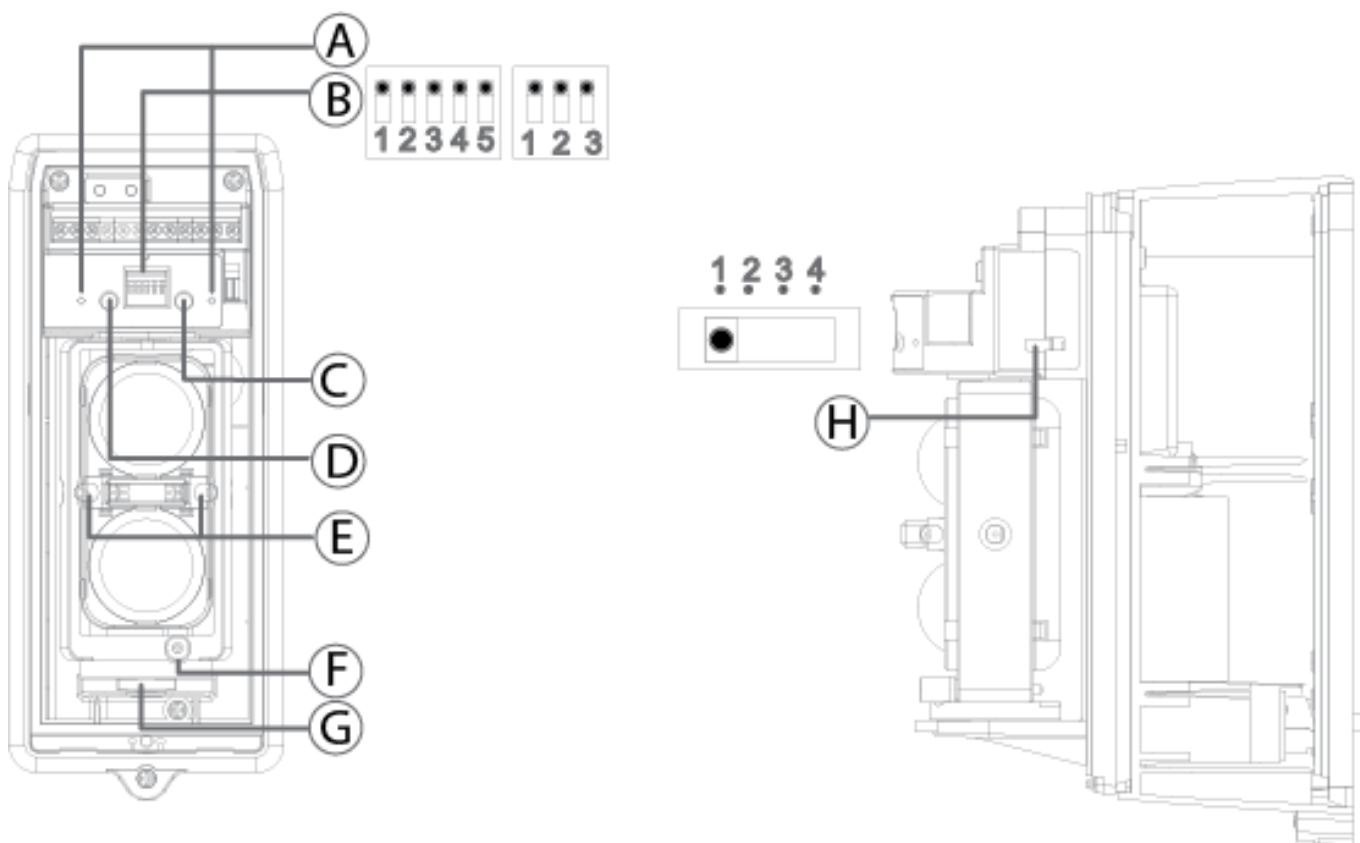


4. Use os parafusos M4x30 e os suportes em U fornecidos para montar o chassi de cada detector no poste.



5. Conclua as etapas de 4 a 8 na seção *Montagem em uma parede* em cada detector.

Configurações do dispositivo



Legenda	Componente
A	Tomada do monitor (receptor somente)
B	Chaves
C	Receptor: LED do indicador de alarme. Transmissor: LED de alimentação
D	LED de bateria fraca
E	Visor
F	Botão de alinhamento vertical
G	Botão de alinhamento horizontal
H	Seletor de frequência de feixe de 4 canais

Funções da chave

Aviso: Não altere as configurações padrão além do temporizador de economia de bateria. Consulte *Temporizador de economia da bateria* para obter mais informações. A alteração de outras configurações padrão pode fazer com que o dispositivo funcione incorretamente e aumenta a chance de falha ou alarmes falsos.

Receptor

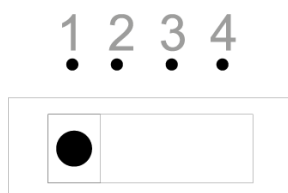
- 1 e 2: Chave de ajuste de interrupção do feixe:
- 3: Chave do temporizador de economia da bateria
- 4: Não utilizado. Não altere a posição desta chave.
- 5: Chave de seleção N.C./N.O.

Transmissor

- 1: Chave do temporizador de economia da bateria
- 2: Não utilizado. Não altere a posição desta chave.
- 3: Chave de seleção N.C./N.O.

Configuração do seletor de frequência de feixe de 4 canais

Seletor de frequência de feixe de 4 canais



O seletor de frequência de feixe de 4 canais é usado para evitar diafonia indesejada que pode ocorrer ao usar vários feixes de fotos para aplicações de longa distância ou empilhamento de feixes. Para selecionar entre 4 frequências de feixe separadas, use o interruptor fornecido.

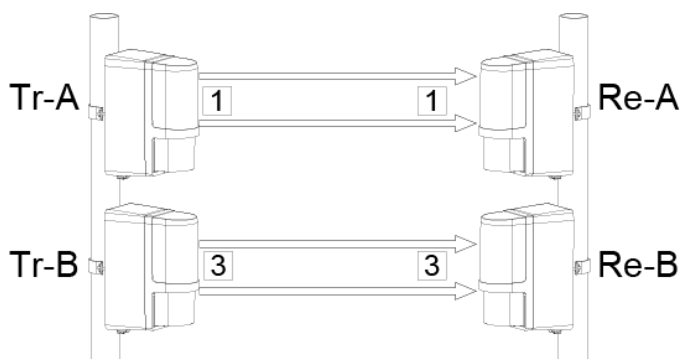
- Certifique-se de que o receptor e o transmissor voltados um para o outro estejam configurados para o mesmo canal.
- Não é possível aplicar mais do que o empilhamento duplo.

Nota: Sempre alterne as frequências em dois canais ao empilhar dispositivos um em cima do outro. Veja o exemplo a seguir. O dispositivo superior está definido no canal 1 enquanto o inferior está no canal 3, os canais 2 e 4 também poderiam ter sido usados.

a) Proteção empilhada dupla

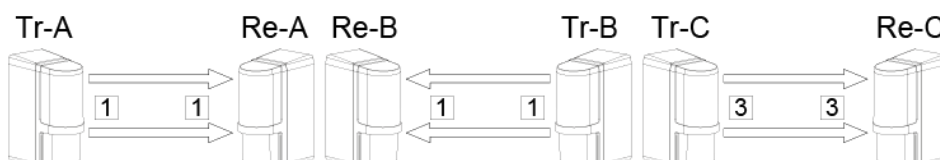
O receptor B pode receber o feixe infravermelho do transmissor A, selecione as frequências conforme mostrado na figura. Na figura, cada número no quadrado indica um número de canal.

Chave	Componente
Tr-A	Transmissor A
Re-A	Receptor A

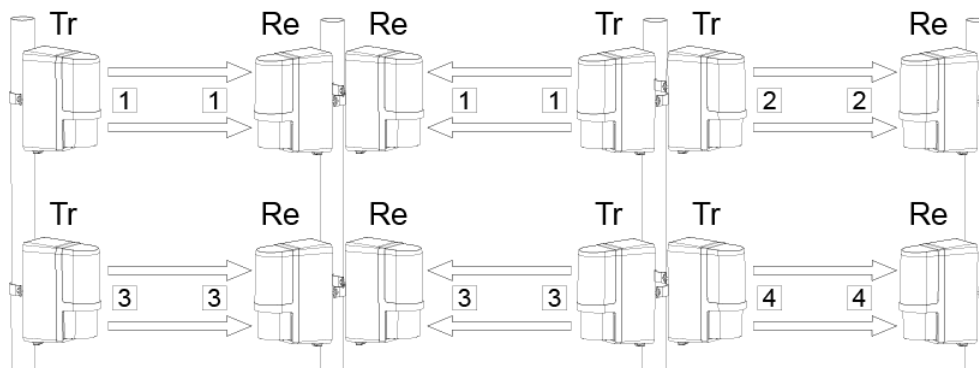


b) Proteção de longa distância

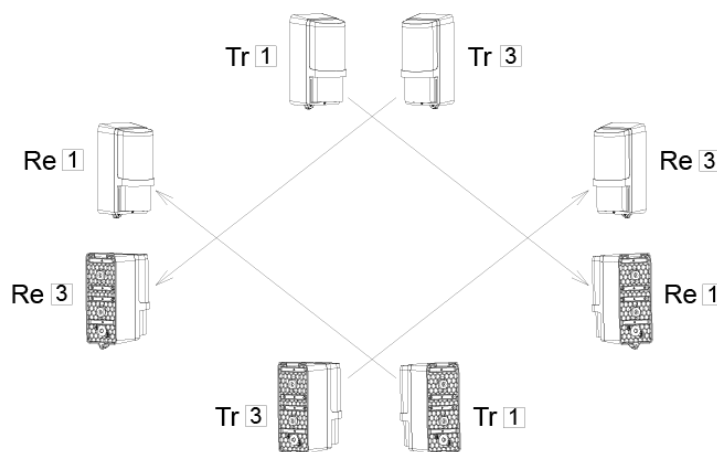
Como o Receptor C pode receber o feixe infravermelho do Transmissor A, selecione suas frequências conforme mostrado na figura à esquerda.



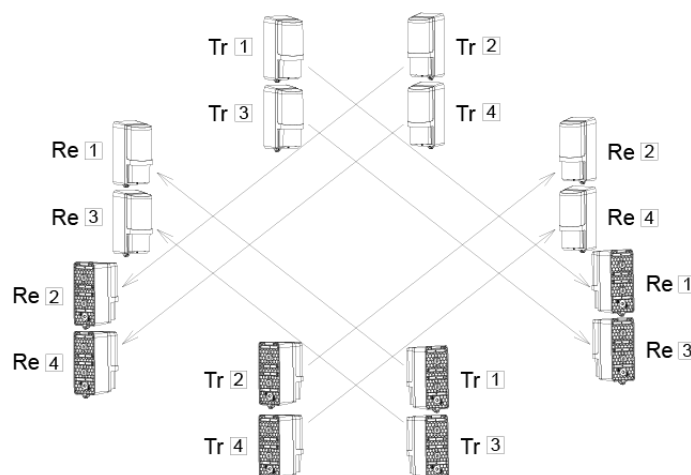
c) Proteção de longa distância empilhada dupla



d) Proteção do perímetro



e) Proteção de perímetro em uma configuração de duas pilhas



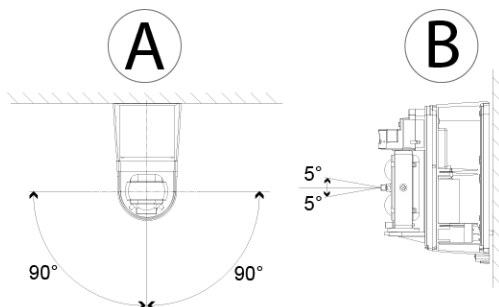
Aviso:

- Não tente instalar este produto com outros detectores fotoelétricos. Isso pode fazer com que o detector falhe ou cause um alarme falso.

Alinhamento óptico

Após a montagem, execute um alinhamento óptico para garantir que o dispositivo funcione de forma confiável.

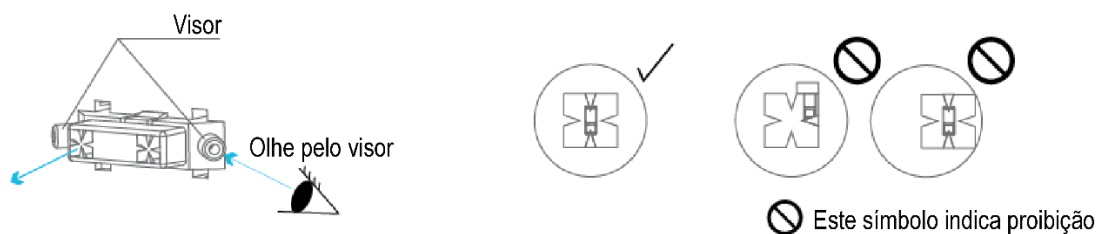
Ângulos de alinhamento



Legenda	Componente
A	Ângulo de alinhamento horizontal
B	Ângulo de alinhamento vertical

Alinhamento do dispositivo

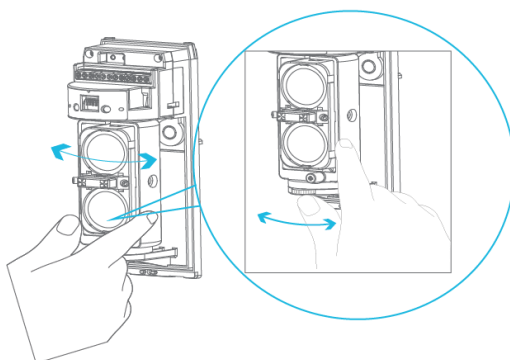
1. Certifique-se de que as posições do seletor de frequência do feixe do transmissor e do receptor emparelhados sejam as mesmas. Para obter mais informações, consulte a seção *Seletor de frequência de feixe de 4 canais*.
2. Enquanto olha pelo visor, ajuste os ângulos horizontal e vertical para que o detector de emparelhamento fique no centro da visão.



- a. Para um alinhamento aproximado do ângulo horizontal, segure e mova a lente para a esquerda ou direita.

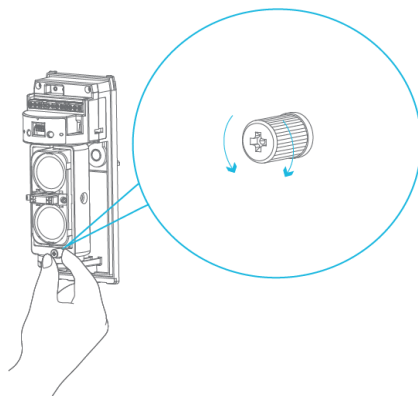
Para um alinhamento preciso do ângulo horizontal, gire o botão de alinhamento horizontal.

Ajuste do ângulo horizontal



- b. Para um alinhamento preciso do ângulo vertical, gire o disco de alinhamento vertical com um dedo ou uma chave de fenda Phillips. Gire o botão no sentido horário para alinhar a lente para cima. Gire o botão no sentido anti-horário para alinhar a lente para baixo.

Ajuste do ângulo vertical

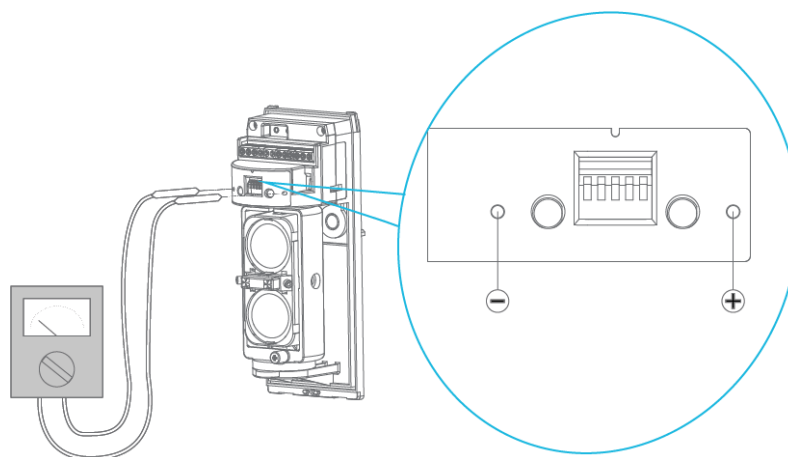


3. Ajuste os ângulos horizontal e vertical enquanto verifica o LED indicador de alarme no receptor de emparelhamento.

LED do indicador de alarme	Feixe não recebido	Feixe recebido			
	LIGADO (vermelho)	Piscando rápido	Piscando lentamente	DESATIVADO	
Nível de ajuste	Reajuste o ângulo		Regular	Bom	Excelente
Saída da tomada do monitor	0 V		> 1,0 V	> 2,0 V	> 2,5 V

Observação: O LED indicador de alarme é uma ferramenta de apoio para facilitar o alinhamento. Execute o alinhamento fino para garantir o nível máximo de saída através do conector do monitor.

4. Após verificar pelo indicador de alarme, faça um alinhamento mais preciso com o voltímetro tanto para o transmissor quanto para o receptor. Insira cada sonda do voltímetro. Defina a faixa do voltímetro de 5 a 10 VCC.

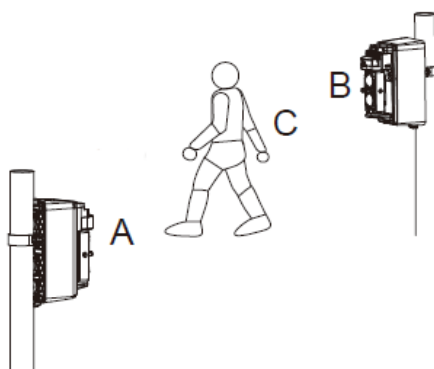


5. Continue o alinhamento fino até atingir a saída mínima do monitor de “boa”, ou mais de 2,0 V.

Teste do dispositivo

Após concluir a instalação, conclua as etapas a seguir para testar se o dispositivo está funcionando corretamente:

1. Certifique-se de que o LED indicador de alarme esteja desligado. Se o LED estiver aceso quando os feixes não estiverem bloqueados, execute novamente as etapas descritas na seção *Alinhamento óptico*.
2. Certifique-se de que os LEDs indicadores de bateria fraca no transmissor e no receptor estejam desligados. Se o LED indicador de bateria estiver piscando, substitua as baterias do dispositivo.
3. Realize um walk test para verificar se o LED indicador de alarme no receptor acende quando o testador interrompe os feixes.
Certifique-se de realizar um walk test nos três pontos a seguir:
 - D. Na frente do transmissor
 - E. Na frente do receptor
 - F. No ponto intermediário entre o transmissor e o receptor



A instalação e o alinhamento estão completos quando o LED indicador de alarme acende em todos os três pontos do walk test.

4. (Opcional) Se estiver usando, ative o temporizador de economia de bateria após concluir o walk test. Consulte *Temporizador de economia da bateria*.

Indicação do LED

A tabela a seguir descreve o significado das indicações de LED do dispositivo.

Status do detector	Indicações dos LEDs
Energia Ligada	O LED de alimentação fica ON (Ativado).
Detecção (interrupção do feixe)	O indicador de alarme fica ON (Ativado).
Bateria fraca	O LED de bateria fraca pisca.

Solução de problemas

Se o LED indicador de alarme estiver desligado ou piscando quando o feixe for interrompido, conclua as etapas a seguir:

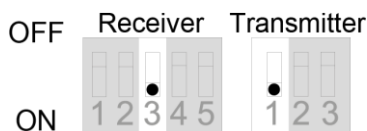
1. Realize novamente as etapas na seção *Alinhamento óptico*.
2. Em uma configuração de múltiplos detectores, o receptor pode estar recebendo o feixe infravermelho de um transmissor não relacionado. Consulte o *Seletor de frequência de feixe de 4 canais* e verifique a configuração do seletor de frequência de feixe de 4 canais.
3. O feixe do transmissor pode atingir o receptor refletindo no chão ou na parede de um edifício. Refletores de luz visível eficientes também são bons refletores de raios infravermelhos. Remova os objetos refletivos ao redor do detector ou instale o detector em um local diferente e depois alinhe o eixo óptico novamente.

Temporizador de economia da bateria

Ative o temporizador de economia de bateria após a instalação para evitar o consumo extra de bateria e vários eventos de alarme. A ativação do temporizador de economia de bateria define um período que começa assim que o detector detecta e transmite um evento. Apenas um evento é transmitido durante este período, e quaisquer outros eventos sucessivos não são transmitidos até que o período termine.

Configuração do temporizador de economia de bateria

A tabela abaixo indica os períodos para cada saída quando você ativa o temporizador de economia de bateria.



Função	Duração da saída para um único evento
Saída de alarme	2 minutos
Saída DQ	2 minutos
Saída de bateria fraca	15 minutos

Notas:

- O temporizador de economia de bateria deve ser desligado para estar efetivamente o dispositivo.
- Você deve prender firmemente a tampa ao dispositivo para permitir a economia de bateria.

Substituição das baterias

1. Remova todas as baterias do dispositivo.
2. Gire a chave PowerG para a posição OFF (DESLIGADA).
3. Substitua todas as baterias.
4. Gire a chave PowerG para a posição ON (LIGADA).

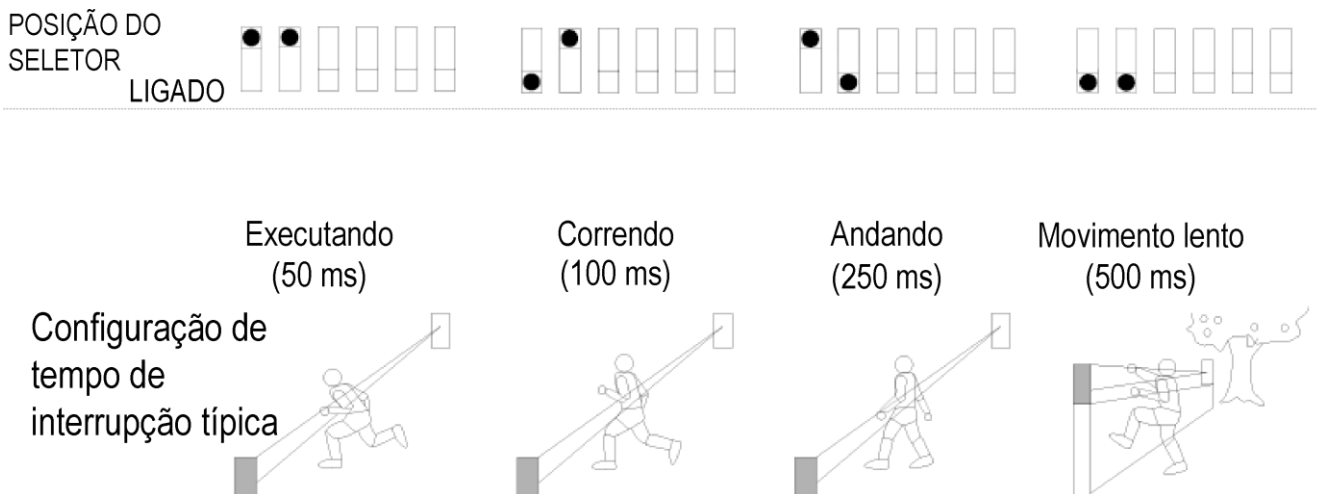
Observação: A remoção de todas as baterias garante que o LED indicador de bateria fraca seja reiniciado.

Configurações opcionais

Aviso: A alteração de outras configurações padrão pode fazer com que o dispositivo funcione incorretamente e aumenta a chance de falha ou alarmes falsos.

Ajuste do tempo de interrupção do feixe

Você pode ajustar as configurações de tempo de interrupção do feixe de acordo com o alvo pretendido dos detectores usando uma das quatro posições do seletor abaixo. A configuração padrão é 50 ms.



Saída de D.Q. (desqualificação ambiental)

O recurso de saída de D.Q. detecta quando a intensidade do feixe está abaixo dos níveis aceitáveis devido a fatores ambientais, como chuva forte, neve ou neblina. Se a força do feixe for baixa por mais de 20 segundos devido a essas condições, um sinal de saída de D.Q. é enviado do receptor. O sinal volta ao normal quando a intensidade do feixe está em níveis aceitáveis por mais de dois segundos.

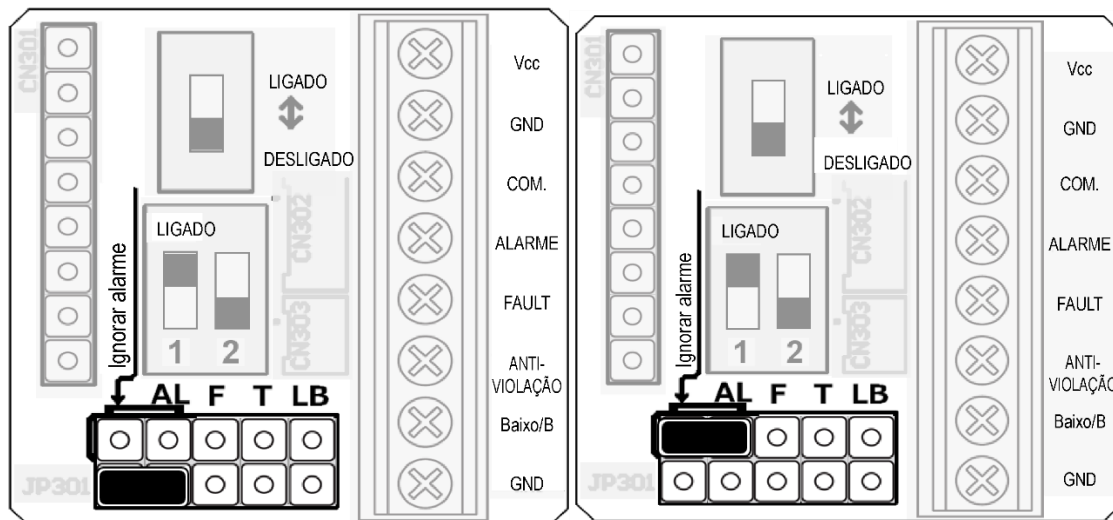
Observação: A saída de D.Q. não é avaliada pela UL.

O sinal de saída de D.Q. pode ser configurado para um dos seguintes usos:

- **Saída separada:** Envia um sinal ao painel de que o detector não está funcionando corretamente devido às condições climáticas.
- **Ignorar alarme:** Ignora o alarme quando a saída de D.Q. é acionada por condições climáticas adversas.

Você pode configurar qualquer uma das opções com as seguintes configurações de pino de jumper na placa de interface do Receptor:

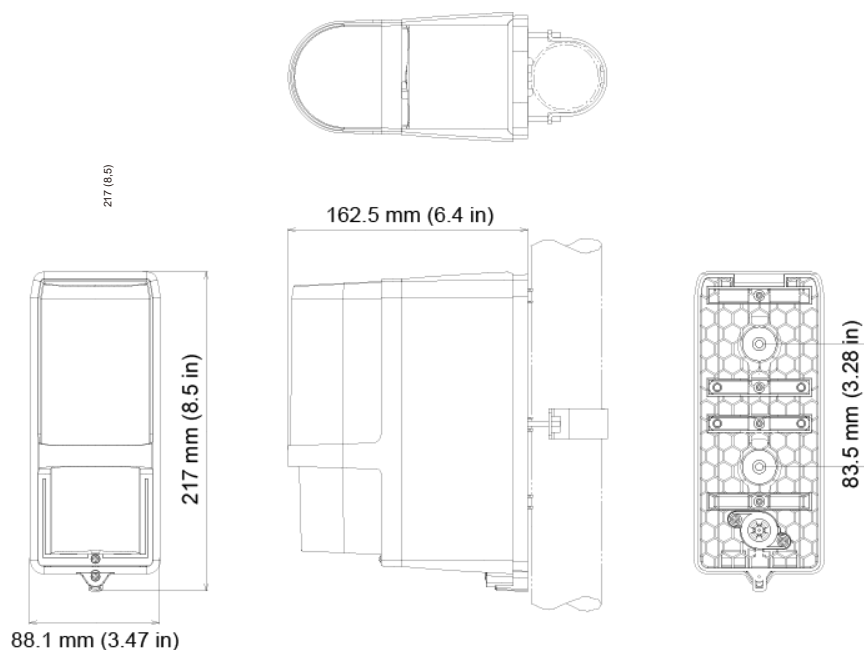
Placa de interface do receptor



Saída de D.Q. e separada de alarme

Configuração de ignorar alarme

Dimensões



Especificações

GERAL

Faixa: 200 pés (60 m)

Método de detecção: Detecção de interrupção de feixe infravermelho

Seleção de frequência de feixe: 4 canais

Período de interrupção: Variável entre 50, 100, 250 e 500 mseg.

Fonte de alimentação: Recomendada: Baterias de lítio de 3,6 V, 13,0 Ah LSH20 fabricadas pela SAFT.

Consumo de corrente: 810 μ A T: 490 μ A + R: 320 μ A (a 25 °C [77 °F], 3,6 VCC)

Vida útil da bateria: Transmissor: Aproximadamente, 3 anos. Receptor: Aproximadamente, 5 anos. *

Nota: * A especificação de vida útil da bateria se aplica somente ao usar as baterias recomendadas. Consulte [Pedido de baterias de detectores](#). O uso de outros tipos de bateria pode afetar a expectativa de vida útil da bateria ou o desempenho do produto.

INDICADORES

Indicador de alarme (receptor): Luz acesa - Feixe não recebido. Luz piscando - Os feixes de infravermelho não foram recebidos suficientemente.

Luz apagada - Feixe recebido.

Alimentação (transmissor): Energia LIGADA: ON, energia DESLIGADA OFF

Bateria fraca: Redução de tensão: piscar

Temperatura operacional: -20°C a +60°C (-4°F a +140°F)

Umidade do ambiente operacional: 95% (Máx.)

Ângulo de alinhamento: $\pm 90^\circ$ Horizontal, $\pm 5^\circ$ Vertical

Peso: 1.600 g (56,4 oz) (peso total do transmissor e receptor, excluindo acessórios)

Classificação à prova d'água: IP55

Frequência: Intervalos de 128/256 segundos de 912-919 MHz

As especificações e o design estão sujeitos a alterações sem aviso prévio.

Observação: Esses dispositivos são projetados para detectar um intruso e ativar um painel de controle de alarme. Os dispositivos fazem parte de um sistema completo, portanto, o fabricante não se responsabiliza por quaisquer danos ou outras consequências resultantes de uma intrusão.

Conformidade com os padrões

EUA: FCC- CFR 47 Parte 15
UL Resi/Com Burg: UL639

Canadá: IC RSS – 247
ULC Resi/Com Burg ULC-S306



Este dispositivo segue a Parte 15 das Regras da FCC e com padrões RSS do setor isentos de licença da Industry Canada. A operação está sujeita às duas seguintes condições: (1) Este dispositivo não pode causar interferência prejudicial e (2) este dispositivo deve aceitar qualquer interferência recebida, incluindo interferência que possa causar operação indesejada.

Para seguir a Seção 1.1310 da FCC para exposição humana a campos eletromagnéticos de radiofrequência e requisitos IC, implemente a seguinte instrução: deve haver uma distância de pelo menos 20 cm entre o equipamento e todas as pessoas, durante a operação do equipamento.

OBSERVAÇÃO: O equipamento foi testado e provou estar de acordo com os limites para um dispositivo digital de Classe B, em conformidade com a Parte 15 das normas FCC. Esses limites foram projetados para oferecer proteção razoável contra interferência prejudicial, em uma instalação residencial. Este equipamento gera, usa e pode irradiar energia de frequência de rádio, e se não for instalado e usado de acordo com as instruções, pode causar interferência prejudicial às comunicações por rádio. Entretanto, não há garantia de que a interferência não ocorrerá em uma determinada instalação. Se este equipamento causar interferência prejudicial à recepção de rádio ou televisão, o que pode ser determinado ligando e desligando o equipamento, o usuário é encorajado a tentar corrigir a interferência por uma ou mais das seguintes medidas: Redirecione ou reposicione a antena receptora. Aumentar a distância entre o equipamento e o receptor. Conectar o equipamento a uma tomada em um circuito diferente daquele ao qual o receptor está conectado. Consulte o distribuidor ou um técnico com experiência em rádio/TV para obter ajuda.

- Este aparelho de Classe B digital está conforme a ICES-003 Canadense.

AVISO! As alterações ou modificações nesta unidade que não sejam expressamente aprovadas pela parte responsável pela conformidade poderão anular a autoridade do usuário em operar o equipamento.

Observações de UL/ULC

Apenas o modelo PG9200AX operando na banda de frequência 912-919MHz é listado na UL/ULC. O PG9200AX foi listado pela UL para aplicações de roubo comercial e residencial e pela ULC para aplicações de roubo residencial de acordo com os requisitos das Normas UL 639 e ULC-S306 para Unidades de Detecção de Intrusão.

Para instalações UL/ULC, use esses dispositivos somente com receptores sem fio DSC compatíveis: HSM2HOST9, HS2LCDRF(P)9, HS2ICNRF(P) 9, PG9920, PowerSeries NEO (v1.37 e posterior), PowerSeries Pro (v1.31 e posterior), IQPanel2 (v2.6 e posterior), IQHub (v3.0 e posterior), IQPanel4 (v4.0 e posterior). Após a instalação verifique a funcionalidade do produto em conjunto com o receptor compatível utilizado.

DECLARAÇÃO DE CONFORMIDADE FCC

AVISO! As alterações ou modificações nesta unidade que não sejam expressamente aprovadas pela parte responsável pela conformidade poderão anular a autoridade do usuário em operar o equipamento.

O dispositivo foi testado e provou estar de acordo com os limites para um dispositivo digital de Classe B, em conformidade com a Parte 15 das normas FCC. Esses limites foram projetados para oferecer proteção razoável contra interferência prejudicial em instalações residenciais. Este equipamento gera, usa e pode irradiar energia de frequência de rádio, e se não for instalado e usado de acordo com as instruções, pode causar interferência prejudicial às comunicações por rádio e recepção televisiva. Entretanto, não há garantia de que a interferência não ocorrerá em uma determinada instalação. Se este dispositivo causar tal interferência, o que pode ser verificado desligando e ligando o dispositivo, o usuário é incentivado a eliminar a interferência por uma ou mais das seguintes medidas:

- Redirecione ou reposicione a antena receptora.
- Aumente a distância entre o dispositivo e o receptor.
- Conecte o dispositivo a uma tomada de um circuito diferente daquele que fornece energia ao receptor.
- Consulte o revendedor ou um técnico de rádio/TV experiente.

FCC ID: F5318PG9200AX

Declaração de Inovação, Ciência e Desenvolvimento Econômico (ISED) do Canadá

Este equipamento está em conformidade com os limites de exposição à radiação de RF da FCC e ISED do Canadá estabelecidos para um ambiente não controlado.

Este dispositivo está em conformidade com as Regras da FCC Parte 15 e com os padrões RSS isentos de licença ISED Canadá. A operação está sujeita às duas seguintes condições:

(1) Este dispositivo não pode causar interferência nociva e (2) este dispositivo deve aceitar qualquer interferência que possa ser recebida ou que possa causar a operação indesejada.

Para seguir a Seção 1.1310 da FCC para exposição humana a campos eletromagnéticos de radiofrequência e requisitos de IC, implemente a seguinte instrução: Uma distância de pelo menos 20 cm entre o equipamento e todas as pessoas devem ser mantidas durante a operação do equipamento.
IC: 160A-PG9200AX

O termo IC antes do número de certificação de rádio significa que as especificações técnicas da Industry Canada foram atendidas. Este aparelho de Classe B digital está conforme a ICES-003 Canadense. Este dispositivo está em conformidade com RSS-247 da Industry Canada. A operação está sujeita às duas seguintes condições: (1) este dispositivo não pode provocar interferência e (2) este dispositivo deve aceitar qualquer interferência recebida, incluindo a interferência que pode causar a operação indesejada do dispositivo.

Garantia Limitada

A Digital Security Controls garante que, por um período de 12 meses a partir da data de compra, o produto estará livre de defeitos de materiais e mão de obra sob uso normal e que em cumprimento de qualquer violação de tal garantia, a Digital Security Controls deverá, a seu critério, reparar ou substituir o equipamento defeituoso após a devolução do equipamento ao seu depósito de reparos. Esta garantia aplica-se apenas a defeitos de peças e de fabricação e não a danos incorridos no transporte ou manuseio, ou danos devido a causas além do controle da Digital Security Controls, como raios, tensão excessiva, choque mecânico, danos causados pela água ou danos decorrentes de mau uso, alteração ou aplicação inadequada do equipamento.

A garantia anterior aplica-se apenas ao comprador original e substitui todas e quaisquer outras garantias, expressas ou implícitas, e todas as outras obrigações ou responsabilidades por parte da Digital Security Controls. A Digital Security Controls não assume nenhuma responsabilidade nem autoriza qualquer outra pessoa que pretenda agir em seu nome para modificar ou alterar esta garantia, nem a assumir por ela (a DSC) qualquer outra garantia ou responsabilidade referente a este produto.

Em nenhum caso, a Digital Security Controls será responsável por quaisquer danos diretos, indiretos ou consequentes, perda de lucros antecipados, perda de tempo ou quaisquer outras perdas incorridas pelo comprador associadas à compra, instalação ou operação ou falha deste produto.

Aviso: A Digital Security Controls recomenda que o sistema inteiro seja completamente testado regularmente. No entanto, mesmo com testes frequentes e devido a, entre outros, violação criminosa ou interrupção elétrica, é possível que este produto não funcione como esperado.

Informações importantes: Alterações ou modificações não expressamente aprovadas pela Digital Security Controls podem anular a permissão do usuário para operar este equipamento.

IMPORTANTE - LEIA COM ATENÇÃO: O software DSC, adquirido com ou sem Produtos e Componentes, respeita leis de direitos de autor e é comprado com a aceitação dos seguintes termos de licenciamento:

- Este Contrato de Licença de Usuário Final ("EULA") é um acordo legal entre o Usuário (empresa, indivíduo ou entidade que adquire o Software ou qualquer Hardware relacionado) e a Digital Security Controls, uma divisão da Tyco Safety Products Canada Ltd. ("DSC"), o fabricante dos sistemas de segurança integrados e o programador do software e quaisquer produtos ou componentes relacionados ("HARDWARE") adquiridos pelo Usuário.
- No caso de estar definido que o software do produto DSC ("PRODUTO DE SOFTWARE" ou "SOFTWARE") destina-se a ser acompanhado do HARDWARE, e se verificar que NÃO está incluído um novo HARDWARE, o Usuário não poderá utilizar, copiar ou instalar o PRODUTO DE SOFTWARE. O PRODUTO DE SOFTWARE inclui o software para computador e poderá incluir mídias associadas, materiais impressos e documentação eletrônica ou "on-line".
- Qualquer software fornecido com o PRODUTO DE SOFTWARE que esteja associado a um contrato de licença de usuário final em separado está licenciado a V.Exa. nos termos desse mesmo contrato de licença. • Ao instalar, copiar, descarregar, armazenar, aceder, ou outro, utilizando o PRODUTO DE SOFTWARE, o Usuário concorda incondicionalmente em respeitar os termos deste EULA, mesmo que o EULA seja considerado como uma modificação de quaisquer acordos ou contratos prévios. Se o Usuário não concordar com os termos deste EULA a DSC não irá licenciar o PRODUTO DE SOFTWARE ao Usuário, e o Usuário não terá direito à sua utilização.

LICENÇA

O PRODUTO DE SOFTWARE está protegido por legislação e tratados internacionais de direitos autorais, bem como por outras legislações e tratados de propriedade intelectual. O PRODUTO DE SOFTWARE é licenciado, não vendido.

1. CONCESSÃO DA LICENÇA Este EULA concede ao Usuário os seguintes direitos:

(a) Instalação e Uso do Software – Para cada licença que o Usuário adquire, apenas poderá haver uma cópia instalada do PRODUTO DE SOFTWARE.

(b) Armazenamento/Uso em Rede – O PRODUTO DE SOFTWARE não pode ser instalado, acessado, exibido, executado, compartilhado ou utilizado simultaneamente em, ou a partir de, diferentes computadores, incluindo uma estação de trabalho, terminal ou outro dispositivo eletrônico (“Dispositivo”). Em outras palavras, se o Usuário tiver várias estações de trabalho, ele terá de adquirir uma licença para cada estação de trabalho onde o SOFTWARE será utilizado.

(c) Cópia de Segurança – O usuário poderá fazer cópias de segurança do PRODUTO DO SOFTWARE, mas poderá ter apenas uma cópia por cada licença instalada num determinado momento. O Usuário poderá utilizar a cópia de segurança somente para fins de arquivo. Salvo da forma expressamente mencionada neste EULA, o Usuário não poderá fazer cópias do PRODUTO DE SOFTWARE, incluindo dos materiais impressos que acompanham o SOFTWARE.

2. DESCRIÇÃO DE OUTROS DIREITOS E LIMITAÇÕES

(a) Limitações sobre Engenharia Reversa, Descompilação e Desmontagem – o Usuário não poderá fazer engenharia reversa, descompilar ou desmontar o PRODUTO DE SOFTWARE exceto e apenas na extensão em que essa atividade for expressamente permitida por lei aplicável, a despeito desta limitação. O Usuário não poderá realizar alterações ou modificações ao Software sem a autorização escrita de um responsável da DSC. O Usuário não poderá remover quaisquer avisos de propriedade, marcas ou etiquetas do Produto de Software. O Usuário irá instituir medidas razoáveis para garantir a conformidade com os termos e condições deste EULA.

(b) Separação de Componentes - O PRODUTO DE SOFTWARE é licenciado como um único produto. As partes que o constituem não podem ser separadas para utilização em mais do que uma unidade de HARDWARE.

(c) PRODUTO Único INTEGRADO – Se o Usuário adquiriu este SOFTWARE com HARDWARE, então o PRODUTO DE SOFTWARE é licenciado com o HARDWARE como um produto único integrado. Nesse caso, o PRODUTO DE SOFTWARE só pode ser utilizado com o HARDWARE, tal como determinado neste EULA.

(d) Aluguel – O Usuário não pode alugar, locar ou ceder o PRODUTO DE SOFTWARE. O Usuário não poderá disponibilizá-lo a outros ou colocá-lo em um servidor ou site da web.

(e) Transferência do Produto de Software – O Usuário pode transferir todos seus direitos abrangidos por este EULA apenas como parte de uma venda ou transferência permanente do HARDWARE, desde que o Usuário não retenha cópias, transfira todo o PRODUTO DE SOFTWARE (incluindo todos os componentes, mídias e materiais impressos, quaisquer atualizações e este EULA), e desde que o destinatário aceite os termos deste EULA. Se o PRODUTO DE SOFTWARE for uma atualização, qualquer transferência deve incluir todas as versões anteriores do PRODUTO DE SOFTWARE.

(f) Término – Sem prejuízo de quaisquer outros direitos, a DSC pode suspender este EULA se o Usuário falhar no cumprimento dos termos e condições deste EULA. Se isso acontecer, o Usuário deverá destruir todas as cópias do PRODUTO DE SOFTWARE e todos seus componentes.

(g) Marcas Registradas – Este EULA não concede ao Usuário quaisquer direitos respeitantes a quaisquer marcas registradas ou de serviço da DSC ou de seus fornecedores.

3. DIREITOS AUTORAIS

Todos os títulos e direitos de propriedade intelectual relativos ao PRODUTO DE SOFTWARE (incluindo, entre outros, quaisquer imagens, fotos e textos incorporados no PRODUTO DE SOFTWARE), os materiais impressos que o acompanham e quaisquer cópias do PRODUTO DE SOFTWARE, são propriedade da DSC ou de seus fornecedores. O Usuário não pode copiar os materiais impressos que acompanham o PRODUTO DE SOFTWARE. Todos os títulos e direitos de propriedade intelectual relativos ao conteúdo que pode ser acessado por meio do uso do PRODUTO DE SOFTWARE são propriedade dos respectivos donos do conteúdo e podem ser protegidos por direitos autorais aplicáveis ou outras legislações e tratados de propriedade intelectual. Este EULA não confere ao Usuário quaisquer

direitos para uso desse conteúdo. A DSC e seus fornecedores reservam-se todos os direitos não expressamente conferidos ao abrigo deste EULA.

4. RESTRIÇÕES À EXPORTAÇÃO

O Usuário assume que não exportará ou reexportará o PRODUTO DE SOFTWARE para qualquer país, indivíduo ou entidade sujeito a restrições de exportação Canadenses.

5. LEGISLAÇÃO APLICÁVEL

Este Acordo de Licença de Software é regido pelas leis da Província de Ontário, Canadá.

6. ARBITRAGEM

Todos os conflitos emergentes deste Acordo serão resolvidos por arbitragem final e obrigatória ao abrigo da Lei de Arbitragem, ficando as partes sujeitas à decisão arbitral. O local designado para a arbitragem será Toronto, no Canadá, e a língua da arbitragem será o inglês.

7. GARANTIA LIMITADA

(a) SEM GARANTIA – A DSC FORNECE O SOFTWARE “TAL COMO ESTÁ”, SEM GARANTIA. A DSC NÃO GARANTE QUE O SOFTWARE CUMPRIRÁ SEUS REQUISITOS OU QUE O FUNCIONAMENTO DO SOFTWARE SEJA ININTERRUPTO OU LIVRE DE ERROS.

(b) ALTERAÇÕES NO AMBIENTE OPERACIONAL – A DSC não se responsabiliza por problemas causados por alterações às características operacionais do HARDWARE, ou por problemas na interação do PRODUTO DE SOFTWARE com PRODUTOS DE SOFTWARE ou HARDWARE que não sejam produzidos pela DSC.

(c) LIMITAÇÕES DE RESPONSABILIDADE: A GARANTIA REFLETE A DISTRIBUIÇÃO DO RISCO – EM QUALQUER CASO, SE ALGUM ESTATUTO IMPLICAR GARANTIAS OU CONDIÇÕES NÃO MENCIONADAS NESTE CONTRATO DE LICENÇA, A RESPONSABILIDADE TOTAL DA DSC NÃO SERÁ SUPERIOR AO VALOR EFETIVAMENTE PAGO PELO USUÁRIO PELA LICENÇA DESTA PRODUTO DE SOFTWARE E CINCO DÓLARES CANADENSES (CAD \$5,00). COMO ALGUMAS JURISDIÇÕES NÃO PERMITEM A EXCLUSÃO OU LIMITAÇÃO DE RESPONSABILIDADE PARA DANOS CONSEQUENTES OU ACIDENTAIS, A LIMITAÇÃO SUPRACITADA PODERÁ NÃO SE APLICAR AO USUÁRIO.

(d) ISENÇÃO DE RESPONSABILIDADE DE GARANTIAS – ESTA GARANTIA CONTÉM A GARANTIA COMPLETA E DEVERÁ PREVALECER SOBRE TODA E QUALQUER GARANTIA, EXPRESSA OU IMPLÍCITA (INCLUINDO TODAS AS GARANTIAS IMPLÍCITAS DE COMERCIALIZAÇÃO OU ADAPTAÇÃO PARA UM DETERMINADO FIM), E TODAS AS OUTRAS OBRIGAÇÕES OU RESPONSABILIDADES POR PARTE DA DSC. A DSC NÃO OFERECE QUAISQUER OUTRAS GARANTIAS. A DSC NÃO ASSUME NEM AUTORIZA QUALQUER OUTRA PESSOA A ATUAR EM SEU NOME PARA MODIFICAR OU ALTERAR ESTA GARANTIA, NEM A ASSUMIR POR ELA (A DSC) QUALQUER OUTRA GARANTIA OU RESPONSABILIDADE RELACIONADA COM ESTE PRODUTO DE SOFTWARE.

(e) RECURSO EXCLUSIVO E LIMITAÇÃO DE GARANTIA – EM NENHUMA CIRCUNSTÂNCIA A DSC SERÁ RESPONSABILIZADA POR QUAISQUER DANOS ESPECIAIS, INCIDENTAIS, CONSEQUENTES OU INDIRETOS RESULTANTES DO NÃO CUMPRIMENTO DA GARANTIA, NÃO CUMPRIMENTO DO CONTRATO, NEGLIGÊNCIA, RESPONSABILIDADE OBJETIVA, OU QUALQUER OUTRA DISPOSIÇÃO LEGAL. TAIS DANOS INCLUEM, ENTRE OUTROS, A PERDA DE LUCROS, PERDA DO PRODUTO DE SOFTWARE OU QUALQUER EQUIPAMENTO ASSOCIADO, CUSTO DE CAPITAL, CUSTOS COM EQUIPAMENTO DE SUBSTITUIÇÃO, INSTALAÇÕES OU SERVIÇOS, TEMPO IMPRODUTIVO, TEMPO DE COMPRA, EXIGÊNCIAS DE TERCEIROS, INCLUINDO CLIENTES, E DANOS MATERIAIS.

AVISO: A DSC recomenda que todo o sistema seja completamente testado numa base de regularidade. No entanto, mesmo com testes frequentes e devido a, entre outros, violação criminosa ou interrupção elétrica, é possível que este PRODUTO DE SOFTWARE não funcione como esperado.

Certifique-se sempre de obter a versão mais recente do Guia do Usuário. Versões atualizadas deste Guia do Usuário estão disponíveis entrando em contato com seu distribuidor.

© 2022 Johnson Controls. Todos os direitos reservados. JOHNSON CONTROLS e DSC são marcas comerciais e/ou marcas comerciais registrada. O uso não autorizado é estritamente proibido.

Toronto, Canada • www.dsc.com • Tech. Support: 1-800-387-3630 (Canada, US), 905-760-3000

PG9200AX user manual D-308403 29011054R001 Rev 1 (02/22)



29011054R001



D-308403