

HID[®] Mercury[™] MR16OUT-S3 Controller

FEATURES

- 16 programmable relay outputs; 2 dedicated inputs
- AES 128/256 Data Encryption
- UL 294 recognized, CE compliant, FCC, RoHS
- Easily integrates lighting, heating/cooling, door or elevator control systems
- Initiates commands by operator, by time schedules, or by events
- Built-in capacity to control and respond to external device commands
- Allows the clustering of up to 16 uniquely monitored devices easily and compactly
- RS-485 host connectivity

SERIAL I/O 16-OUTPUT INTERFACE PANEL

- **Open Architecture** - High performance, reliable platform enables use of hardware with HID Mercury OEM partners software solutions
- **Easy Expansion** - Adds functionality and flexibility to existing access control systems
- **Enhanced Security** - Embedded crypto memory chip provides secured layer of encryption to protect sensitive data
- **Versatile Interoperability** - Same reliable interface and identical footprint as Series 2 HID Mercury IO modules, enabling seamless upgrades for existing deployments

The HID Mercury MR Series 3 Serial Input/Output (SIO) modules enable system expansion of HID Mercury intelligent controllers as part of HID Mercury’s distributed architecture. The enhanced modules offer an improved processor and increased memory, plus feature an embedded crypto memory chip that provides a secured layer of encryption to onboard sensitive data. Built on the HID Mercury open platform, Series 3 modules provide the necessary flexibility for OEMs, channel partners and end customers to choose the controller configuration that best fits their needs.

The multi-device MR16OUT Series 3 interface panel for OEMs is dedicated to point control and monitoring, providing 16 general-purpose outputs as Form C relay contacts. The MR16OUT also provides individually configurable parameters that can be set for timing and for fail-safe versus fail-secure modes.

The MR16OUT is configurable to control a variety of outboard devices for general facility control such as lighting, heating/

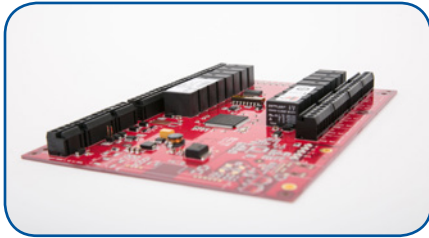
cooling, door and elevator control. Devices can also be activated by the condition of selected system devices, either locally or regionally, without host intervention.

The MR16OUT Series 3 is the latest generation door interface module for HID Mercury intelligent controllers, the platform of choice for customers seeking open architecture access control solutions.

Application Notes

The MR16OUT is an essential component to support HID Mercury’s flexible, building-block approach to access control system design. The versatile MR16OUT offers unmatched power to broaden the range of devices and building controls (such as lighting or HVAC) that can be included in system design.

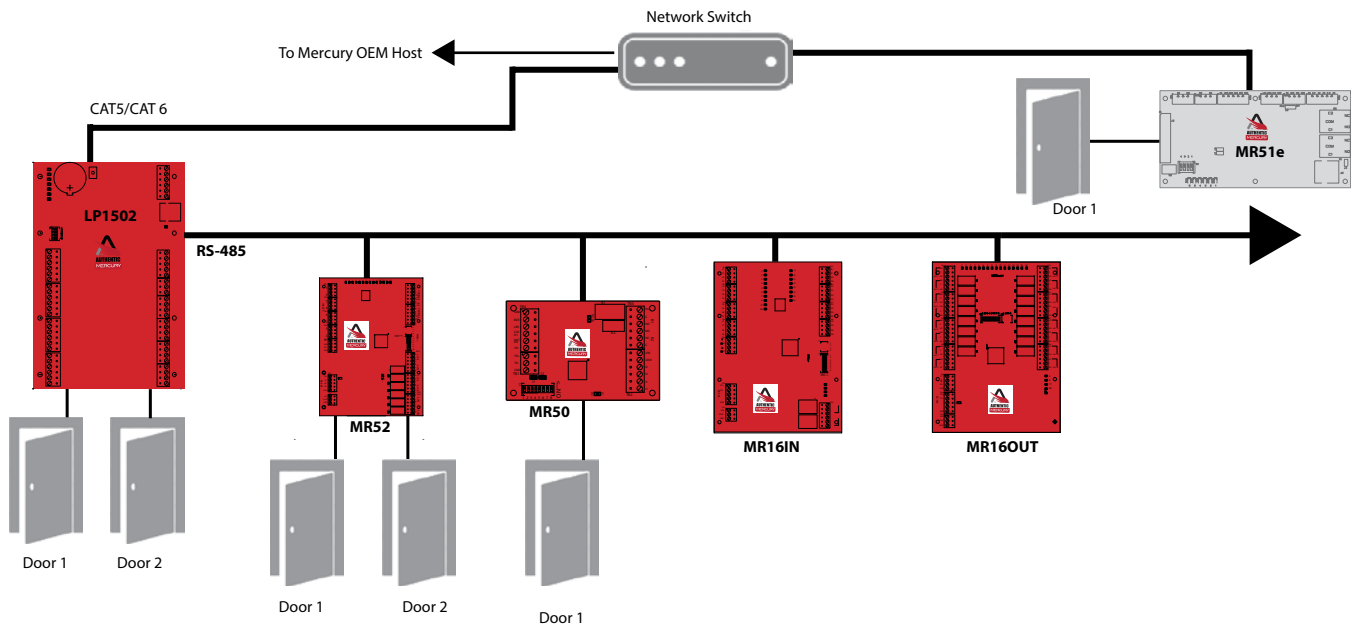
Relay operation can be initiated by direct operator commands, by time schedules, or by event-based procedures. The relays support “On,” “Off,” “Pulse” and “Repeating Pulse” commands. A pulse can range from .1 seconds to over 18 hours.



SPECIFICATIONS

HID® Mercury™ MR16OUT-S3 Controller

Primary Power	12-24 VDC +/- 10%, 1100mA maximum
Host Communication	RS-485, 2-wire, 4,000' (twisted pair with shield, Belden 9841)
Inputs	2 Dedicated: Tamper and Power Monitor
Output Relays	Sixteen Form-C Relays: Normally open contact (NO): 5A @ 30 VDC resistive Normally closed contact (NC): 3A @ 30 VDC resistive
Dimensions	6.0" W x 8.0" L x 1.0" H (152mm W x 203mm L x 25mm H)
Temperature	Storage: -55° - 85° C Operational: 0° - 70° C
Humidity	5% to 95% RHNC
Product Compliance	UL294 Recognized, FCC Part 15 Class A, CE Compliant, RoHS (2011/65/EU & 2015/863), EU REACH (1907/2006), California Proposition 65



hidglobal.com

North America: +1 512 776 9000

Toll Free: 1 800 237 7769

Europe, Middle East, Africa: +44 1440 714 850

Asia Pacific: +852 3160 9800

Latin America: +52 55 5081 1650

An ASSA ABLOY Group brand

© 2019 HID Global Corporation/ASSA ABLOY AB. All rights reserved. HID, HID Global, the HID Blue Brick logo, the Chain Design and HID Mercury are trademarks or registered trademarks of HID Global or its licensor(s)/supplier(s) in the US and other countries and may not be used without permission. All other trademarks, service marks, and product or service names are trademarks or registered trademarks of their respective owners.

2019-10-15-hid-pacs-mercury-mr16out-series-3-reader-interface-ds-en PLT-04704