

HID® Mercury™

MR52-S3B Controller

Serial I/O Dual Card Reader Interface

The HID Mercury MR Series 3 Serial Input/ Output (SIO) modules enable system expansion of HID Mercury intelligent controllers as part of HID Mercury's distributed architecture. The enhanced modules offer an improved processor and increased memory, plus features a secure crypto engine providing a secured layer of encryption to onboard sensitive data. Built on the HID Mercury open platform, Series 3 modules provide the necessary flexibility for OEMs, channel partners and end customers to choose the controller configuration that best fits their needs.

The MR52 Series 3 is a card reader interface panel with on-board flexibility to connect a wide range of security devices. The MR52 is easy to install and provides the required I/O for interfacing two card readers, eight general-purpose input monitor points and six control relays to any HID Mercury series intelligent controller.

With two-wire RS-485 connectivity, the MR52's two reader ports support OSDP, OSDP Secure Channel, FICAM government profiles, keypads, biometric readers, Wiegand, clock and data, magnetic stripe, F/2F and supervised F/2F reader technologies. System configuration and setup are provided through HID Mercury OEM partner software applications.

The MR52 Series 3 is the latest generation door interface module for HID Mercury intelligent controllers, the platform of choice for customers seeking open architecture access control solutions.

APPLICATION NOTES

The inputs and the relays may be assigned to door-related functions or to general-purpose I/O. The inputs support normally open, normally closed, supervised, and non-supervised circuits. End-of-line (EOL) resistance values are configurable, and the relays can be configured for fail-safe or fail-secure operation.

When connected to an HID Mercury intelligent controller, the MR52 can relate the activities of selected system devices to other devices within the system, generating actions and allowing activities to occur independent of the host. The MR52 can also locally process access requests based on facility code verification, even when disconnected from an intelligent controller. Up to eight facility codes may be active in each MR52.



KEY BENEFITS:

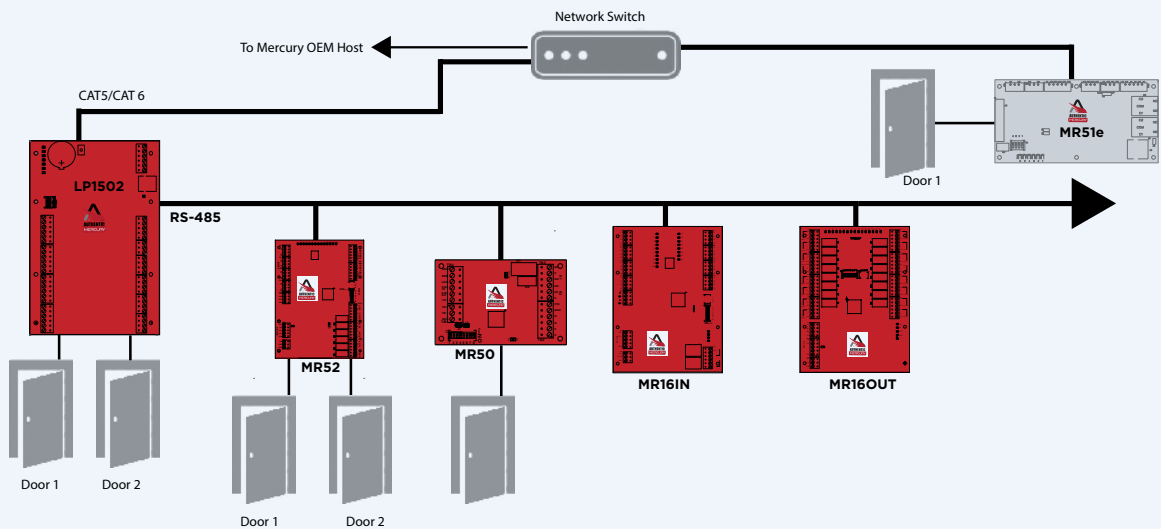
- **Open Architecture** - High performance, reliable platform enables use of hardware with HID Mercury OEM partner's software **solutions**
- **OSDP Protocol** - Supports OSDP and Secure Channel protocol for device connectivity, file transfer and extended applications such as biometrics and federal government profile support
- **Enhanced Security** - Secure crypto engine provides a secured layer of encryption to protect sensitive data
- **Versatile Interoperability** - Same reliable interface and identical footprint as the Series 2 HID Mercury IO modules, enabling seamless upgrades for existing deployments

FEATURES

- AES 128/256 bit data encryption
- HSPD-12/FIPS-201 compliant
- UL 294 recognized, CE compliant, FCC, RoHS
- Supports OSDP, OSDP Secure Channel, FICAM government profiles, keypads, biometric readers, Wiegand, clock and data, magnetic stripe, F/2F and supervised F/2F reader technologies
- RS-485 host connectivity

Primary Power	12-24 VDC +/- 10%, 550mA maximum
Host Communication	RS-485, 2-WIRE, 4,000' (twisted pair with shield, Belden 9841)
Reader Ports	2 Reader Ports*
Card/Keyboard Data	OSDP, Clock/Data, Data-1/Data-0, RS-485, or F/2F
Keypad	8-bit Mercury, 8-bit Dorado/HID, 4-bit HID
Reader Power	Pass-through or 12 VDC regulated 300mA each reader
LED	One-wire bi-color LED or two-wire LED
Buzzer	Only with 'one-wire' LED
Inputs	8 General Purpose: Programmable circuit type 2 Dedicated: Tamper and Power Monitor
Output Relays	Six Form-C Relays: Normally open contact (NO): 5A @ 30 VDC resistive Normally closed contact (NC): 3A @ 30 VDC resistive
Dimensions	6.0" W x 8.0" L x 1.0" H (152mm W x 203mm L x 25mm H)
Temperature	Storage: -55° - 85° C Operational: 0° - 70° C
Humidity	5 to 95% RHNC
Product Compliance	UL 294 Recognized, FCC Part 15 Class A, CE Compliant, RoHS (2011/65/EU & 2015/863), EU REACH (1907/2006), California Proposition 65

*Note: Up to two entry exit door applications (4 readers total) can be supported when connected to OSDP readers.



hidglobal.com

North America: +1 512 776 9000 | Toll Free: 1 800 237 7769

Europe, Middle East, Africa: +44 1440 714 850

Asia Pacific: +852 3160 9800 | Latin America: +52 (55) 9171-1108

For more global phone numbers click here

© 2022 HID Global Corporation/ASSA ABLOY AB. All rights reserved.

2022-05-02-pacs-mercury-mr52-s3b-controller-ds-en

PLT-06452

Part of ASSA ABLOY