

HID[®] Mercury[™] MR62e

HIGHLIGHTS

IP-to-the-Door

- Edge-capable input/output module supporting PoE+ power
- Provides up to 1.5 A of power at door for reader, lock and more

Security and Network

- IPv4/6
- Intelligent Controller to MR62e communication protected by AES
- MR62e web browser communication protected by TLS
- Zerconf Device Discovery (mDNS)

Card Reader Functions

- OSDP Reader Only
- Supports multiple card formats, paired and alternate readers, elevator, turnstile and biometric devices
- Anti-passback support (area, reader and time based)
- Programmable keypad user commands

READER INTERFACE MODULE WITH PoE+ (2 DOORS, 4 READERS, 6 INPUTS, 4 OUTPUTS)

- **Open Architecture** – High performance, reliable platform enables use of hardware with OEM partners' software solutions.
- **IP-to-the-Door** – Supports PoE+ power, removing the cost of traditional power supplies and home-run wiring.
- **Enhanced Security** – Embedded crypto memory chip provides secured layer of protection of sensitive data.
- **OSDP Protocol** – Secure channel communications for reader connectivity.
- **Versatile Interoperability** – Same reliable interface and identical footprint as the Series 2 IO modules, enabling upgrades for existing deployments upgrades for existing deployments supporting OSDP readers.

The new HID Mercury MR Series 3 Serial Input/Output modules enable system expansion of HID Mercury intelligent controllers as part of HID's distributed architecture. The enhanced modules offer an improved processor and increased memory, plus feature an embedded crypto memory chip that provides a secured layer of encryption to onboard sensitive data. Built on the HID Mercury open platform, Series 3 modules provide the necessary flexibility for OEMs, channel partners and end customers to choose the controller configuration that best fits their needs.

The MR62e Series 3 is an IP-enabled interface module with on-board flexibility to connect a wide range of security devices. The MR62e is easy to install and provides the required I/O for interfacing four card readers using OSDP protocol, six general-purpose input monitor points and four control relays to any HID Mercury intelligent controller.

The MR62e provides increased power output using PoE+ and provides one reader port supporting OSDP Secure Channel readers, including non-keypad, keypad and biometric readers. System configuration and setup are provided through HID Mercury OEM partner software applications.

The MR62e Series 3 is the latest generation door interface module for HID Mercury intelligent controllers, the platform of choice for customers seeking open architecture access control solutions.

SPECIFICATIONS

HID Mercury MR62e

Door Control	<ul style="list-style-type: none"> Natively supports up to 4 OSDP. Does not support Wiegand readers MR62e, when linked to an HID Mercury Intelligent Controller, controls up to 2 openings
Card Formats	<ul style="list-style-type: none"> Eight active card formats per intelligent controller Entire card number reported on invalid read 19 digit (64-bit) User ID and 15 digit PIN numbers maximum PIV, CAC, TWIC card compatible

GENERAL

Power Input	PoE (12.95 W), compliant to IEEE 802.3af or PoE+ (25 W), compliant to IEEE 802.3at or 12 VDC \pm 10 %, 1.7 A maximum
Power Output	<ul style="list-style-type: none"> PoE: Locks and Reader, combined: 12 VDC @ .66 A MAX PoE+ or 12 VDC: Lock 12 VDC @ 1 A MAX Readers 12 VDC @ .5 A MAX
Output	Four relays, Form-C contacts rated at 2 A @ 30 VDC
Inputs	Six unsupervised/supervised, End of Line resistors, 1k/1k ohm, 1%, ¼ watt standard

READER INTERFACE

Power	12 VDC @ .5 A MAX
Communication	2-Wire RS-485, OSDP protocol, four devices maximum

CABLE REQUIREMENTS

Ethernet	CAT-5, minimum
External Input Power	1 twisted pair, 18 AWG (if required)
Alarm Inputs	1 twisted pair per input, 30 ohm maximum
Relay Outputs	As required for the load
Reader Data RS-485/Power	<ul style="list-style-type: none"> 2 twisted pair with shield, 24 AWG, 120 ohm impedance, 4000 foot (1220 m) max or RS-485: 1 twisted pair with shield, 24 AWG, 120 ohm impedance, 4000 foot (1220 m) max Power: 1 pair 18 AWG¹

¹Type of cable(s) and gauge determined by length and voltage/ current requirements. Local power source may be required.

ENVIRONMENTAL

Temperature	Storage: -55° to 85° C Operating: 0° to 70° C
Humidity	5 to 95% RHNC

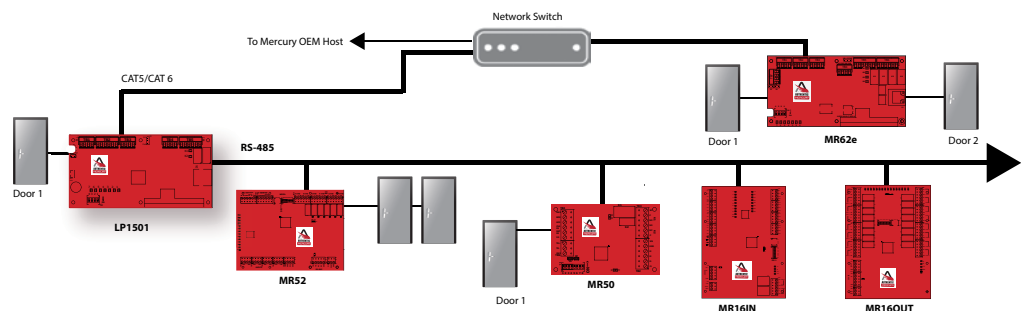
MECHANICAL

Dimensions	5.5 in. (140 mm) W x 2.75 in. (70 mm) L x 0.96 in. (24 mm) H without bracket 5.5 in. (140 mm) W x 3.63 in. (92 mm) L x 1.33 in. (34 mm) H with bracket
Weight	4 oz. (112 g) without bracket 5 oz. (142 g) with bracket

COMPLIANCE AND WARRANTY

Product Compliance	UL 294 Recognized ² , FCC Part 15 Class A, CE Compliant, RoHS (2011/65/EU & 2015/863), EU REACH (1907/2006), California Proposition 65
Warranty	The product is warranted free from defects in material and workmanship under normal use and service with proper maintenance for one year from the date of factory shipment.

² For UL, the Power Sourcing Equipment (PSE) such as a PoE or PoE+ enabled network switch and/or PoE or PoE+ power injectors must be UL Listed under UL 294B



hidglobal.com

North America: +1 512 776 9000
Toll Free: 1 800 237 7769
Europe, Middle East, Africa: +44 1440 714 850
Asia Pacific: +852 3160 9800
Latin America: +52 55 9171 1108

© 2021 HID Global Corporation/ASSA ABLOY AB. All rights reserved. HID, HID Global, the HID Blue Brick logo, the Chain Design are trademarks or registered trademarks of HID Global or its licensor(s)/supplier(s) in the US and other countries and may not be used without permission. All other trademarks, service marks, and product or service names are trademarks or registered trademarks of their respective owners.
2021-01-08-pacs-mercury-mr62e-ds-en PLT-04694

Part of ASSA ABLOY