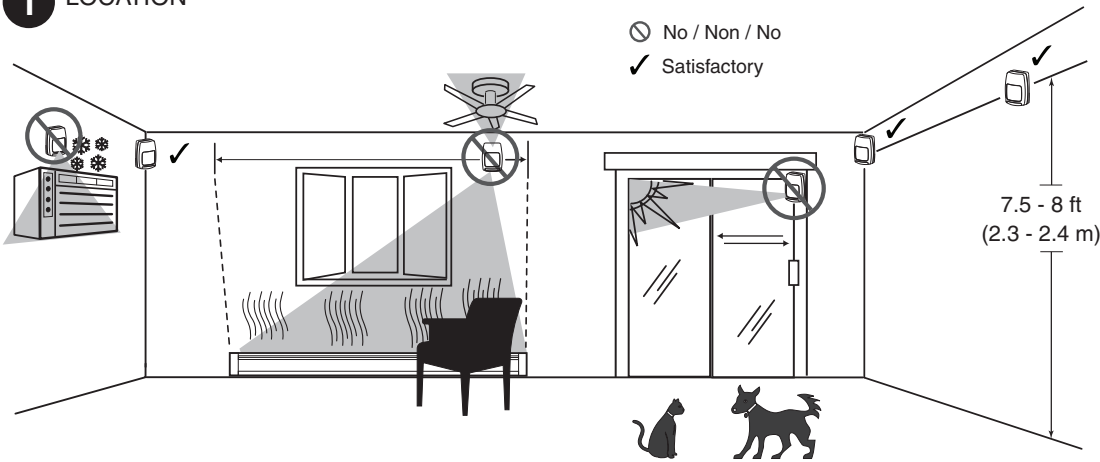
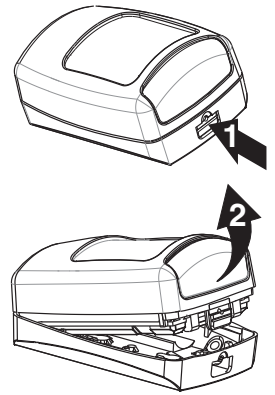


## 1 LOCATION



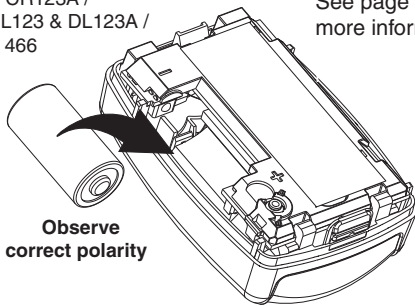
## 2 OPEN



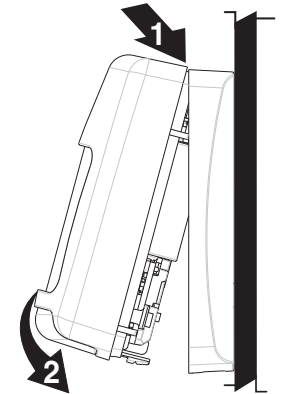
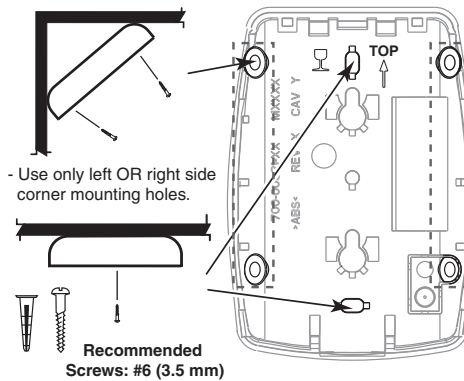
## 3 CONNECT THE BATTERY, ENROLL THE SENSOR, CONDUCT GO / NO GO TEST, AND PERFORM WALK TEST

Panasonic CR123A /  
Duracell DL123 & DL123A /  
Honeywell 466

See page 2 for  
more information



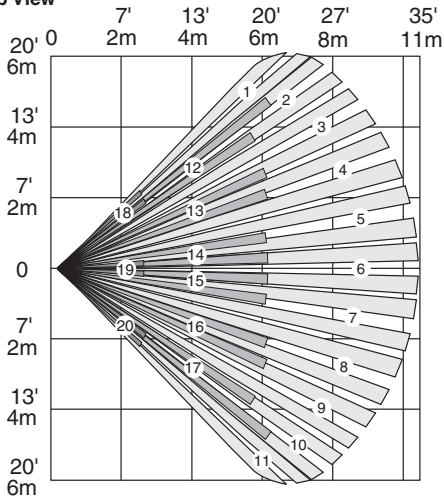
## 4 MOUNT



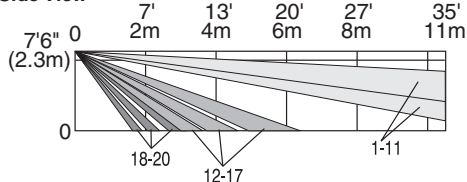
## A DETECTION PATTERNS

35' / 11m Wide Angle Animal Immune Lens  
(P/N 5-532-719-00)

Top View



Side View



## B ACCESSORIES

<b>SMB-10</b> (P/N 0-000-110-01)	Swivel Mount Bracket
<b>SMB-10C</b> (P/N 0-000-111-01)	Swivel Mount Ceiling Bracket
<b>SMB-10T</b> (P/N 0-000-155-01)	Swivel Mount Bracket w/Tamper
<b>IS2500-HSLK</b> <sup>1</sup> 35' x 40' (11 m x 12 m)	High Security Lens Kit
<b>IS2500-PALK</b> <sup>2</sup> 35' x 40' (11 m x 12 m)	Pet Alley Lens Kit

Mounting Height: <sup>1</sup> 7 – 9 ft (2.1 m – 2.7 m).  
<sup>2</sup> 4 ft (1.2 m).

## ENROLL THE SENSOR

Enroll the sensor in the control panel prior to its usage in the system. Refer to the control panel instructions for programming details. **Program the sensor as an "RF" type (supervised RF) device.**

**To enroll:** connect the battery and wait for power up to end (see LED Indications table). When prompted for the serial number, activate the sensor (wave a hand in front of the lens) to enroll the sensor.

Loop 1	Pulse count 2; Up to 80 lbs. Animal Immunity
--------	--

## LED INDICATIONS

Condition	Indicator LED
Power Up	Blinks once per second (for < 45 seconds)
Walk Test	ON for 3 seconds = Loop 1 / Low Sensitivity Alarm Flickers rapidly for 3 seconds = walk test period ended

## MOUNT THE SENSOR (See page 1)

Before mounting the transmitter permanently, conduct Go/No Go tests (see control panel manual) to verify adequate signal strength and reorient or relocate the sensor if necessary.

### For Animal (Pet) Immunity:

- Install the sensor where animals cannot come within 6 ft (1.8 m) of the sensor by climbing on furniture or other objects.
- Aim the sensor away from stairways, furniture or other objects that can be climbed on by animals.
- Do not use optional swivel mount brackets.

## WALK TESTING

The 10 minute walk test mode begins after power up, and can be restarted by removing and replacing the battery.

As you walk through the detection pattern, the sensor LED will light for 3 seconds to indicate each alarm detection.

Note: In walk test mode all transmissions will be sent as they occur. During normal operation, only one transmission sequence will occur within a 3-minute period to conserve battery life.

### FEDERAL COMMUNICATIONS COMMISSION STATEMENTS

The user shall not make any changes or modifications to the equipment unless authorized by the Installation Instructions or User's Manual. Unauthorized changes or modifications could void the user's authority to operate the equipment.

### CLASS B DIGITAL DEVICE STATEMENT

This equipment has been tested to FCC requirements and has been found acceptable for use. The FCC requires the following statement for your information:

This equipment generates and uses radio frequency energy and if not installed and used properly, that is, in strict accordance with the manufacturer's instructions, may cause interference to radio and television reception. It has been type tested and found to comply with the limits for a Class B computing device in accordance with the specifications in Part 15 of FCC Rules, which are designed to provide reasonable protection against such interference in a residential installation. However, there is no guarantee that interference will not occur in a particular installation. If this equipment does cause interference to radio or television reception, which can be determined by turning the equipment off and on, the user is encouraged to try to correct the interference by one or more of the following measures:

- If using an indoor antenna, have a quality outdoor antenna installed.
- Reorient the receiving antenna until interference is reduced or eliminated.
- Move the radio or television receiver away from the receiver/control.
- Move the antenna leads away from any wire runs to the receiver/control.
- Plug the receiver/control into a different outlet so that it and the radio or television receiver are on different branch circuits.
- Consult the dealer or an experienced radio/TV technician for help.

## TROUBLESHOOTING

**Problem:** The system displays a "low battery" message.

**Solution:** Replace the battery within 7 days.

## SPECIFICATIONS

Power: Battery* (included).	1 x 3 V, Lithium; CR123A / DL123 / DL 123A / 466
Battery Life, years (typical):	5
RF Frequency:	345 MHz
Operating Temperature: (for indoor use environment)	14° to 131° F (-10° to 55° C)
Relative Humidity, no condensation:	95% max.
Detectable Walk Rate:	0.7 – 7ft/Sec. (0.2 – 2.0m/Sec.)
Temperature Compensation:	Advanced Dual Slope

\*Battery Caution: Risk of fire, explosion and burns. Do not recharge, disassemble, heat above 212° F (100° C), or incinerate. Dispose of used batteries promptly. Keep away from children.

## APPROVALS / LISTINGS

- FCC part 15, Class B verified
- IC, ICES-003, Class B verified
- C-Tick
- CE
- SIA-PIR-01 Passive Infrared detector standard features for false alarm immunity.
- cETLus Listed

## COMPLIANCE NOTES

- Product must be tested at least once each year.
- Product must be installed within the protected area only.



**IC NOTICE:** This Class B digital device complies with the Canadian ICES-003.

Cet appareil numérique de la Classe B est conforme à la norme NMB-003 du Canada.

### FCC / IC STATEMENT

This device complies with Part 15 of the FCC Rules and RSS-210 of the IC rules. Operation is subject to the following two conditions: (1) this device may not cause harmful interference, and (2) this device must accept any interference received, including interference that may cause undesired operation.

Cet appareil est conforme à la partie 15 des règles de la FCC & de RSS 210 des Industries Canada. Son fonctionnement est soumis aux conditions suivantes: (1) Cet appareil ne doit pas causer d'interférences nuisibles. (2) Cet appareil doit accepter toute interférence reçue y compris les interférences causant une réception indésirable.

