

**LIMITED WARRANTY**

Honeywell International Inc., acting through its Security & Custom Electronics business ("Seller") 165 Eileen Way, Syosset, New York 11791, warrants its product(s) to be in conformance with its own plans and specifications and to be free from defects in materials and workmanship under normal use and service for 24 months from the date stamp control on the product(s) or, for product(s) not having a manufacturer's date stamp, for 12 months from date of original purchase unless the installation instructions or catalog sets forth a shorter period, in which case the shorter period shall apply. Seller's obligation shall be limited to repairing or replacing, at its option, free of charge for materials or labor, any product(s) which is proved not in compliance with Seller's specifications or proves defective in materials or workmanship under normal use and service. Seller shall have no obligation under this Limited Warranty or otherwise if the product(s) is altered or improperly repaired or serviced by anyone other than Honeywell factory service. For warranty service, return product(s) transportation prepaid, to Honeywell Factory Service, 165 Eileen Way, Syosset, New York 11791.

THERE ARE NO WARRANTIES, EXPRESS OR IMPLIED, OF MERCHANTABILITY, OR FITNESS FOR A PARTICULAR PURPOSE OR OTHERWISE, WHICH EXTEND BEYOND THE DESCRIPTION ON THE FACE HEREOF. IN NO CASE SHALL SELLER BE LIABLE TO ANYONE FOR ANY CONSEQUENTIAL OR INCIDENTAL DAMAGES FOR BREACH OF THIS OR ANY OTHER WARRANTY, EXPRESS OR IMPLIED, OR UPON ANY OTHER BASIS OF LIABILITY WHATSOEVER, EVEN IF THE LOSS OR DAMAGE IS CAUSED BY THE SELLER'S OWN NEGLIGENCE OR FAULT.

Seller does not represent that the product(s) it sells may not be compromised or circumvented; that the product(s) will prevent any personal injury or property loss by burglary, robbery, fire or otherwise; or that the product(s) will in all cases provide adequate warning or protection. Customer understands that a properly installed and maintained alarm system may only reduce the risk of a burglary, robbery, fire, or other events occurring without providing an alarm, but it is not insurance or a guarantee that such will not occur or that there will be no personal injury or property loss as a result. CONSEQUENTLY, SELLER SHALL HAVE NO LIABILITY FOR ANY PERSONAL INJURY, PROPERTY DAMAGE OR OTHER LOSS BASED ON A CLAIM THAT THE PRODUCT(S) FAILED TO GIVE WARNING. HOWEVER, IF SELLER IS HELD LIABLE, WHETHER DIRECTLY OR INDIRECTLY, FOR ANY LOSS OR DAMAGE ARISING UNDER THIS LIMITED WARRANTY OR OTHERWISE, REGARDLESS OF CAUSE OR ORIGIN, SELLER'S MAXIMUM LIABILITY SHALL NOT IN ANY CASE EXCEED THE PURCHASE PRICE OF THE PRODUCT(S), WHICH SHALL BE THE COMPLETE AND EXCLUSIVE REMEDY AGAINST SELLER.

This warranty replaces any previous warranties and is the only warranty made by Seller on this product(s). No increase or alteration, written or verbal, of the obligations of this Limited Warranty is authorized.

**FCC STATEMENT****FCC ID: CFS8DL5806****Canada: 1748-K1430**

This device complies with Part 15 of the FCC Rules. Operation is subject to the following two conditions: (1) This device may not cause harmful interference (2) This device must accept any interference received, including interference that may cause undesired operation.

**Honeywell**

165 Eileen Way, Syosset, New York 11791

Copyright © 2004 Honeywell International Inc.

www.honeywell.com/security



N6353V5 7/04 Rev A

**Honeywell**

# ADEMCO 5806

## Smoke Detector With Built-In Wireless Transmitter

**INSTALLATION INSTRUCTIONS****General Information**

The ADEMCO 5806 Photoelectric Smoke Detector/Transmitter is intended for use with wireless alarm systems that support 5800 Series devices, and contains a built-in transmitter that can send alarm, supervisory and battery condition messages to the system's receiver/control unit. Refer to the wireless system's instructions for the maximum number of transmitters that can be supported.

**Alarms:** The smoke detector is powered by two 9-volt batteries and will sound its built-in horn when smoke reaches the detector (the LED indicator will also flash rapidly). A message will also be sent to the wireless control and the smoke detector's ID number will be displayed at the keypad. The alarm message will be transmitted every 4 seconds, until the smoke condition has cleared and the detector has reset. About 1 second after the horn has stopped, a Restore message will be transmitted to the control and it will then be possible to clear the ID number from the display. During normal or low battery conditions, the LED indicator will flash about once every 40 seconds.

**Low Battery:** The detector indicates a low-battery condition by emitting a "chirp" about once every 40 seconds. A low-battery message will be sent to the control unit upon any transmission following the first battery

chirp (with the detector's ID number displayed at the keypad). The battery should be replaced within 30 days following the low-battery signals.

**False Alarm Protection:** In order to reduce the possibility of false alarms due to cigarette smoke, dust, steam, insects, etc., the detector will not transmit an alarm signal until its horn has sounded continuously for about 6 seconds. A delay also occurs when the detector is tested. Therefore, the test button must be held down for about 20 seconds before the horn will sound. The first alarm signal will be transmitted within 6 seconds after the horn sounds.

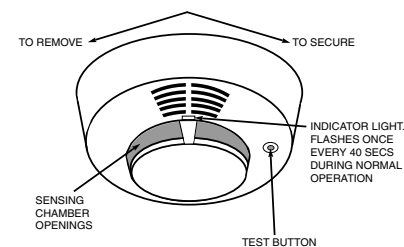
**Programming:** Note that the control system must "enroll" the smoke detector's ID during installation of the system. The control should be programmed to "enroll" the 5806 as an "RF" type unit (i.e., supervised RF). See the *PROGRAMMING* section in this instruction book and the control unit's Installation Instructions for further details.

**Tamper Protection:** The detector has provision for a tamper function if desired. When the tamper function, is enabled, the detector will cause a CHECK to be displayed if it is removed from its installed location. See *TAMPER PROTECTION* for detailed instructions.

**Battery Installation and Replacement**

The 5806 is equipped with two 9-volt batteries, which can double the time between battery replacement (compared to a single 9-volt alkaline battery). Refer to the *SPECIFICATIONS* section for acceptable batteries. The batteries should be changed within 30 days following the low battery beeps (about once every 40 seconds). There will also be a low-battery display on the system's keypad. Be sure to replace BOTH batteries with fresh ones.

**Important:** Do not mix battery types.



1. Remove the smoke detector from its mounting plate by twisting the detector counterclockwise. If you are replacing batteries, remove the existing batteries from their compartments and disconnect the battery clips.
2. Install the new 9-volt alkaline batteries in their respective compartments as follows: Snap the battery contacts onto the terminals of the first battery (be sure to observe correct polarity and do not force battery clips). Holding the contacts on the battery, install the battery into its compartment. Make sure the battery is fully seated (see Figure 1).
3. Re-install the smoke detector onto the mounting plate by turning it clockwise, and test its operation as described in the *TEST* section.
4. The LED indicator should flash about once every 40 seconds, indicating normal operation. If the batteries are not installed correctly, the smoke detector will not function. If the unit appears not to be sending a signal during any of the tests, check for correct battery installation.

**Note:** If the detector's ID has not been programmed into the system (i.e., this is an initial detector installation), refer to the *PROGRAMMING* section below and perform the ID "enrolling" procedure before mounting or testing the detector.

### Programming

The control system must "enroll" the smoke detector's ID during installation of the system. The control should be programmed to "enroll" the 5806 as an "RF" type unit (i.e., supervised RF), with a loop number of "1." With the control in the programming mode, you can either manually enter the serial number or transmit from the device (push the "Enroll" button [see Figure 1], install the battery, etc.). See the control unit's installation instructions for further details.

Be sure to verify that the detector has been enrolled into the system by using the procedure provided in *TESTING THE SMOKE DETECTOR* section on page 6.

If a "low battery" message is displayed and you suspect that the batteries are not actually low, remove both batteries, wait 20 seconds, re-insert them, and re-test the detector. Repeat this procedure, if necessary.

### Tamper Protection

For tamper protection, cut the wire jumper indicated in Figure 1. After the detector has been mounted, a magnet must then be installed on the wall or ceiling next to the detector.

To ensure proper positioning of the magnet after the detector has been mounted, place a light pencil mark on the side of the detector near the center of the reed switch (see Fig. 1).

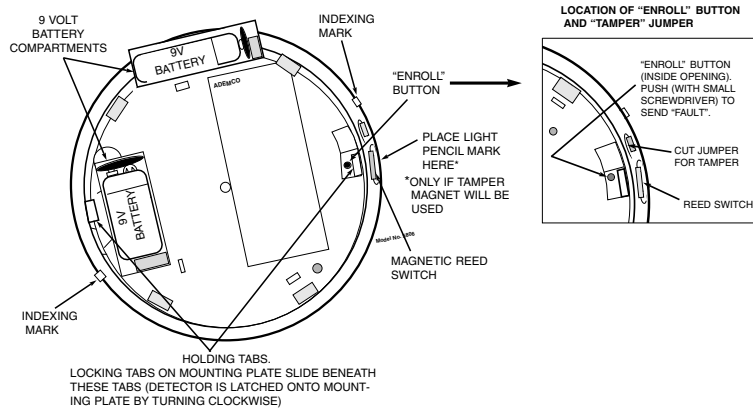


Figure 1. Bottom View of Smoke Detector (without mounting plate)

### Mounting the Smoke Detector

First, determine the best location for the smoke detector (one that provides strong wireless transmission paths AND proper smoke detector protection). See *RECOMMENDED LOCATIONS FOR SMOKE DETECTORS* (on next page).

A good RF transmission path must be established from the proposed mounting location before permanently installing the detector. To check, perform the test in *TESTING THE SMOKE DETECTOR*.

### Mounting Locations

Detectors should be located as close to the center of the ceiling as possible. If this is not practical, detectors may be located on the ceiling up to 4 inches (10cm) from the ceiling-wall junction. Do not install near forced-air heating or air conditioning ducts (outlets or returns). For sloped, gabled, or high-peaked ceilings, detectors must be mounted between 4 and 6 inches (10 and 15cm) from the highest point in the ceiling.

Detectors may also be wall-mounted. Check with your local Fire Department about code requirements. Wall-mounted detectors should be located 4–6 inches (10–15 cm) from the ceiling.

In mobile homes, battery-operated detectors are not generally installed by the manufacturer. Mount detectors **ONLY** on an interior wall.

1. Once a suitable location has been determined, install the mounting plate on the ceiling or on the wall. Use the two screws and anchors provided.

2. Latch the detector onto the mounting plate as follows: Position the detector onto the plate, mating the small center post on the detector with the "dimple" at the center of the mounting plate, and aligning the index marks on the sides of the plate and the detector. Then turn the detector in a clockwise direction so that the holding tabs on the detector engage the locking tabs on the mounting plate.
3. If the tamper has been enabled (as indicated previously), a magnet (No. 39WH-M) should be mounted on the wall or ceiling surface next to the detector (1/4" max) in the specified location (see Fig. 2).
4. Test the detector immediately after completing the installation and refer to the control system's instructions for additional information concerning the use of wireless smoke detectors.

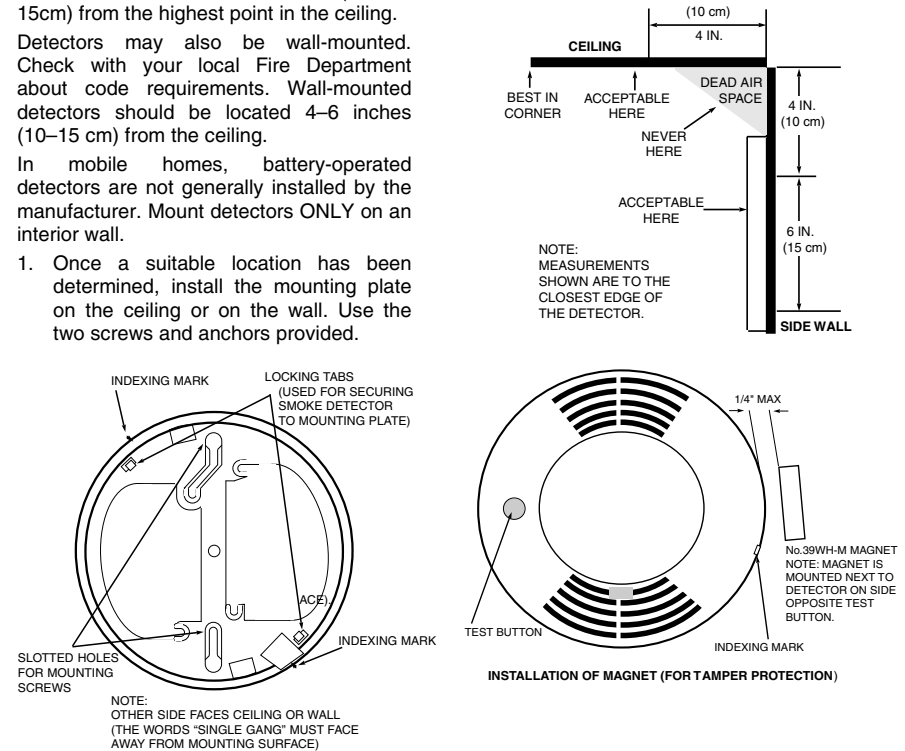


Figure 2. Mounting Details

## RECOMMENDED LOCATIONS FOR SMOKE DETECTORS

To minimize the risk of fire causing injury, loss of life, or loss of property, detectors should be located on every level of a residence – basements, first floor, second-floor, and attic, if it is furnished – and in every separate sleeping area. More specifically, detectors should be located:

1. Between sleeping areas and potential sources of fire such as kitchen, garage, basement, or utility room. In homes with only one sleeping area on one floor, a detector should be put in the hallway outside the bedrooms as shown below. In single-floor homes with two separate sleeping areas, **two** detectors are required, one outside each bedroom area as shown below. In multi-level homes, detectors should be located **in bedroom areas and at every finished level of the home** as shown below. Basement-level detector should be located in the **bottom** of basement stairwells. Second-floor detector should be located at the **top** of the first-to-second-floor stairwell so long as no door or other obstruction blocks the path of smoke.
2. Inside every bedroom where a smoker sleeps or an electrical appliance is operated. This detector should be **in addition to** the hallway detectors as described above.
3. Inside all bedrooms where people sleep with the door closed. Smoke and poisonous combustion gases are significantly blocked by a closed door. This detector should be **in addition to** the hallway detectors described above.
4. At each end of a hallway serving the bedrooms if the hallway is in excess of 40 feet (12m) in length.

In addition to the above, we also strongly recommend the following:

Install smoke detectors in any room where an alarm control is located, or in any room where alarm control connections to an AC source or phone lines are made. If detectors are not so located, a fire within the room could prevent the control from reporting a fire or an intrusion.

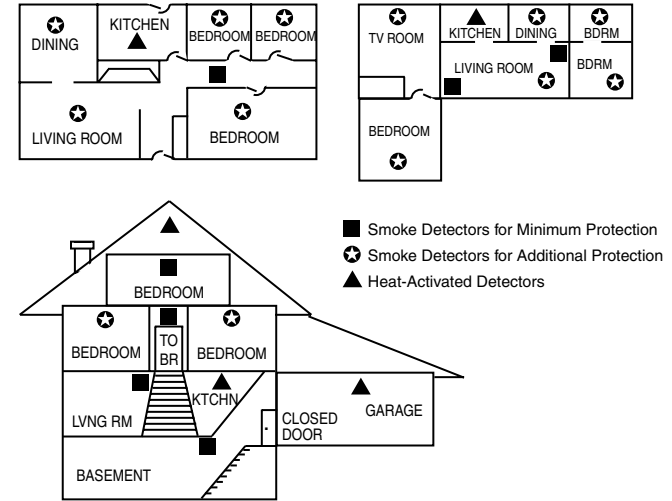
### Where Not to Locate Detectors

To avoid false alarms and/or improper operation, avoid installation of smoke detectors in the following areas:

- KITCHENS - Smoke from cooking may cause a nuisance alarm. LOCATE DETECTORS AT LEAST 20 FEET (6m) FROM KITCHENS, IF POSSIBLE.
- IN AIRSTREAMS PASSING BY KITCHENS - Smoke from cooking may enter normal air movement paths between outlets and returns if these paths run by kitchens, causing a nuisance alarm. LOCATE DETECTORS AWAY FROM SUCH AIRSTREAMS, IF POSSIBLE.
- BATHROOMS - Excessive steam from a shower may cause a nuisance alarm. LOCATE DETECTORS AT LEAST 10 FEET (3m) FROM BATHROOMS, IF POSSIBLE.
- NEAR FORCED-AIR DUCTS used for heating or air conditioning - Air movement may prevent smoke from reaching the detector.
- NEAR FLUORESCENT LIGHT FIXTURES - "Noise" generated by these fixtures may cause a nuisance alarm.
- NEAR FURNACES OF ANY TYPE - Air and dust movement and normal combustion products may cause a nuisance alarm.
- THE PEAK OF AN "A" FRAME TYPE OF CEILING - "Dead air" at the top may prevent smoke from reaching the detector.
- GARAGES - Products of combustion are present from running automobile engines and may cause a nuisance alarm.

- UNHEATED BUILDINGS - Temperature limits are 40°–100°F (5°–38°C). The detector will not function properly in locations where the normal ambient temperature exceeds these limits.
- INSECT INFESTED AREAS - Insects entering the sensing chamber may cause a nuisance alarm.

IF YOU EXPERIENCE NUISANCE ALARMS, CAREFULLY CHECK YOUR DETECTOR'S LOCATION FOR POSSIBLE CAUSES AS LISTED ABOVE. RELOCATE AND CLEAN YOUR DETECTOR, IF NECESSARY. REMEMBER THAT THE MAJOR CAUSES OF NUISANCE ALARMS ARE DIRTY OR IMPROPERLY LOCATED DETECTORS.



## Testing The Smoke Detector

The following procedure should be performed to determine strong radio path communication with the control, and again after installation is completed. THIS TEST SHOULD ALSO BE PERFORMED ON A REGULAR BASIS (AT LEAST WEEKLY) BY THE USER.

1. Activate the wireless system's TEST mode via the keypad.
2. Depress and hold the smoke detector's TEST button. Within 20 seconds, the detector's horn will start to sound. The detector will begin to transmit alarm signals (about once every 4 seconds) within 6 seconds of the horn sounding.
3. The wireless system's keypad should emit at least 3 audible sounds when the alarm transmission is received, and will display the transmitting detector's ID number.
4. When satisfied that the keypad has received the test signal, release the TEST button. Within 10 seconds the detector's horn will stop. A few seconds later, the smoke detector's ID number will be cleared from the keypad display.
5. If the keypad does not respond as noted, check battery connections and be sure batteries are fresh. If this is an initial installation, try moving the detector to another location that provides proper reception. Repeat test.
6. Turn off the system's TEST mode via the keypad (security code + OFF).

**NOTE:** Be sure that the detector's ID has been "enrolled" by the control during programming (see information on Programming on pages 1 and 2).

## Testing the Tamper Function (if used) after Mounting the Detector

With the system in the normal disarmed mode, temporarily detach the smoke detector from its mounting plate. The system's keypad should display a CHECK message. If it does not, check that the magnet has been installed in the correct location next to the detector. Also, check that the wire tamper jumper in the detector has been cut.

### SUMMARY OF DETECTOR FUNCTIONS

POWER/ALARM LED	HORN	STATUS
Pulses every 40 seconds	Silent	Normal, functioning properly
Pulses every 40 seconds	Beeps once every 40 seconds	Low battery or detector malfunction
Rapid flashing	On continuously	Alarm, detecting smoke

## Specifications

- Power Source:** Two 9-volt alkaline batteries. Use ADEMCO 464, Eveready 522, Duracell MN1604, or equivalent.
- Power/Alarm LED:** Standby = flashing once every 40 seconds.  
Alarm = rapid flashing.
- Low-Battery Signal:** One horn "chirp" every 40 seconds.
- Size:** 5-5/8" inch (14cm) diameter, 2-1/2" inch (6.4cm) high.

### TO THE INSTALLER

Regular maintenance and inspection (at least annually) by the installer and frequent testing by the user are vital to continuous satisfactory operation of any alarm system.

The installer should assume the responsibility of developing and offering a regular maintenance program to the user as well as acquainting the user with the proper operation and limitations of the alarm system and its component parts. Recommendations must be included for a specific program of frequent testing (at least weekly) to insure the system's proper operation at all times.

### THE LIMITATIONS OF THIS SMOKE DETECTOR / TRANSMITTER

While this smoke detector/transmitter is a highly reliable device that is part of an advanced wireless security system, it does not offer guaranteed protection against fire. While smoke detectors have played a key role in reducing residential fire deaths, they may not activate or provide early warning for a variety of reasons in as many as 35% of all fires. Some of the reasons smoke detectors used in alarm systems may not work are as follows:

- Smoke detectors will not work without power. Battery-operated devices will not work without batteries, or if the batteries are not put in properly.
- Smoke detectors may have been improperly installed and positioned. Smoke detectors may not sense fires that start where smoke cannot reach the detectors, such as in chimneys, in walls, on the roof, or on the other side of closed doors. Smoke detectors also may not sense a fire on another level of a residence or building. A second-floor detector, for example, may not sense a first-floor fire or basement fire. In addition, smoke detectors have sensing limitations. No smoke detector can sense every kind of fire every time. In general, detectors may not always provide adequate warning about rapidly spreading fires caused by carelessness and safety hazards like smoking in bed, violent explosions, escaping gas, improper storage of flammable materials, children playing with matches, or arson. Depending on the nature of the fire and/or location of the smoke detectors, the detector, even if it operates as anticipated, may not provide sufficient warning to allow all occupants to escape in time to prevent injury or death.
- Alarm signals sent by the wireless transmitter in this device may be blocked or reflected by metal before they reach the alarm receiver. Even if the signal path has been recently checked during a weekly test, blockage can occur if a metal object is moved into the path.
- Alarm warning devices such as sirens, bells, or horns may not alert people or wake up sleepers if they are located on the other side of closed or partly open doors. If warning devices are located on a different level of the residence from the bedrooms, then they are less likely to waken or alert people inside the bedrooms. Even persons who are awake may not hear the warning if the alarm is muffled by noise from a stereo, radio, air conditioner, or other appliances, or by passing traffic. Finally, alarm warning devices, however loud, may not warn hearing-impaired people or waken deep sleepers.
- This smoke detector/transmitter, like other electrical devices, is subject to component failure. Even though this device is designed to last as long as 20 years, the electronic components in it could fail at any time. We recommend that smoke detectors be replaced every 10 years as a precautionary measure against component failure.

The most common cause of an alarm system not functioning when a fire occurs is inadequate maintenance. The alarm system should be tested weekly to make sure all smoke detectors and their transmitters are working properly. Detectors must be repaired or replaced when they do not function properly.

Installing an alarm system may make the owner eligible for lower insurance rates, but an alarm system is not a substitute for insurance. Homeowners, property owners, and renters should continue to act prudently in protecting themselves and continue to insure their lives and property.

We continue to develop new and improved protection devices. Users of alarm systems owe it to themselves and their loved ones to learn about these developments.