

See inside of carton for installation instructions.

**GENERAL INFORMATION**  
The 5869 Holdup Switch/Transmitter is a finger-operated RF transmitter used for activating a holdup signal. The 5869 is typically mounted under a counter or money draw for inconspicuous operation. When activated, it sends an RF signal to the control panel, which then sends a burglary alarm to the central station.

Once the trigger (Figure 1) is activated, the supplied reset key K4563 must be used to reset the device. The 5869 also contains tamper switches that are activated either when the cover is removed, or when the unit is forcibly removed from its installation location.

The 5869 has a permanent serial number assigned during manufacture used for enrolling the 5869 with the control panel. To enroll the 5869, refer to the respective Control Panel Installation and Setup Guide.

For certified UL installations, the 5869 must be used with the 5881ENHC tamper-protected wireless receiver, mounted inside its plastic enclosure and outside the alarm panel enclosure.

**PROGRAMMING**  
The 5869 should be programmed as a 24-hour silent zone type. Refer to the Control Panel Installation and Setup Guide for programming instructions.

**NOTES:**

- During programming of the control panel, the 5869 Holdup Switch/Transmitter should be treated as "RF" (i.e., supervised RF) Type.
- The 5869 is one closed input loop zone (loop 1)

**MOUNTING**  
Mount the 5869 under a counter or money drawer for easy access by the cashier. Refer to Figures 1 & 2 and steps that follow for typical mounting installation.

Before mounting the 5869 permanently, perform Go/No Go tests to verify adequate transmitter signal strength at desired mounting location (refer to the Control Panel Installation and Setup Guide).

1. Install the battery into the battery holder observing correct polarity as shown in illustration.
2. Position the case to the desired location and install one No. 6 x 3/4 screw (supplied) at the breakaway tamper release hole as shown in illustration.



**SPECIFICATIONS**  
Physical: 1-15/16"W x 5-15/16"H x 1-3/16"D (50mm x 150mm x 30mm)  
Battery: 3-volt Lithium. ADEMCO 466, Duracell DL123A, Panasonic CR123A, Varta CR123A.  
Frequency: 345MHz  
Reset Key: Supplied, Part Number K4563 to order separately  
Agency: UL 636 - Holdup alarm units and systems

REFER TO THE INSTALLATION INSTRUCTIONS FOR THE CONTROL WITH WHICH THIS DEVICE IS USED, FOR DETAILS REGARDING LIMITATIONS OF THE ENTIRE ALARM SYSTEM.

Perforation (1/4 x 1/8)

3. Secure the cover to the case with the two screws (No 6 x 1/2) as shown in illustration.
- IMPORTANT:** To prevent damage to the case, do not over tighten the cover screws.
4. Secure the case with the cover to its mounting location using the two screws (No. 6 x 2) supplied as shown in illustration.
  5. Observing correct polarity (negative side of the battery facing the trigger), insert the battery into the battery holder as shown in illustration.
  6. Reinstall two cover screws and two mounting screws as shown in illustration.

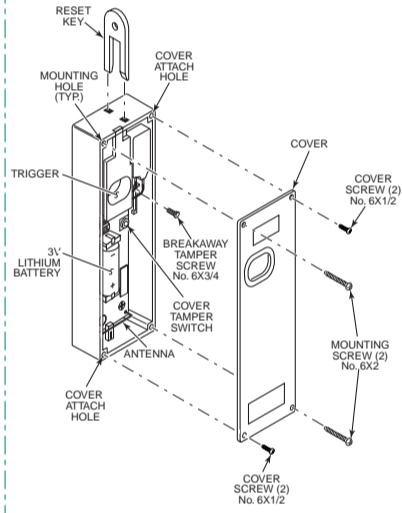


Figure 1.

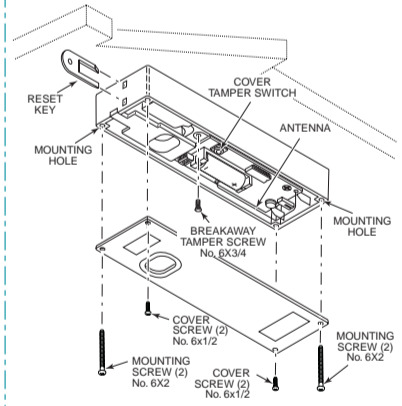


Figure 2.

**IMPORTANT:** THIS DEVICE MUST BE PERMANENTLY MOUNTED WITH THE SCREWS SUPPLIED.

FOR WARRANTY INFORMATION GO TO:  
<http://www.security.honeywell.com/hsc/resources/wa>

See inside of carton for installation instructions.

**TO THE INSTALLER**  
Regular maintenance and inspection (at least annually) by the installer and frequent testing by the user are vital to continuous satisfactory operation of any alarm system. The installer should assume the responsibility of developing and offering a regular maintenance program to the user, as well as acquainting the user with the proper operation and limitations of the alarm system and its component parts. Recommendations must be included for a specific program of frequent testing (at least weekly to insure the system's operation at all times.

K5298V4

5869 Interior of box  
File: K5298V4\_Blueline\_5869\_instruct\_interior.eps