



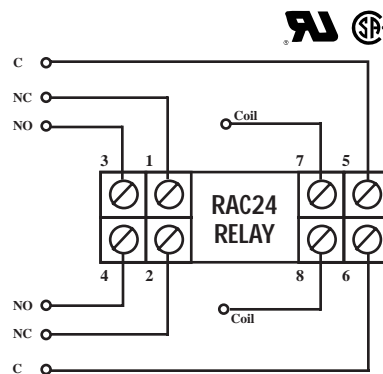
RAC24 Relay Module

Specifications:

- 24VAC Operation.
 - Current Draw: 35ma
 - Contacts: DPDT (Double Form C)
Rated: 10 amps/240VAC
10 amps/28VDC.
 - UL Recognized.
 - CSA Approved.
- Dimensions: 2.7L x 1W x 2.5H

Operation:

1. Relay will activate upon applying 24VAC to the terminals marked coil.
2. Use output contacts to make and break load circuits.



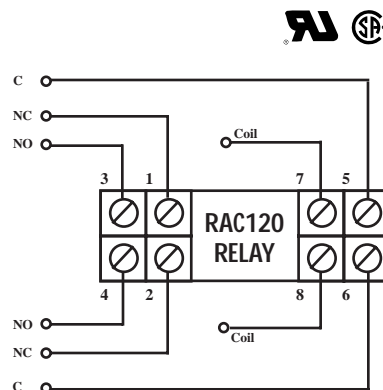
RAC120 Relay Module

Specifications:

- 120VAC Operation.
 - Current Draw: 30ma
 - Contacts: DPDT (Double Form "C")
Rated: 10 amps/240VAC
10 amps/28VDC.
 - UL Recognized.
 - CSA Approved.
- Dimensions: 2.7L x 1W x 2.5H

Operation:

1. Relay will activate upon applying 120VAC to the terminals marked coil.
2. Use output contacts to make and break load circuits.



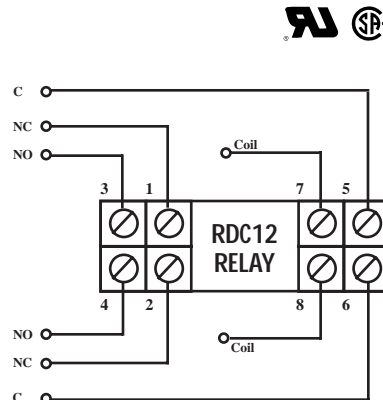
RDC12 Relay Module

Specifications:

- 12VDC Operation.
 - Current Draw: 80ma
 - Contacts: DPDT (Double Form C)
Rated: 10 amps 120VAC/28VDC.
 - UL recognized component.
- Dimensions: 2.7L x 1W x 2.5H

Operation:

1. Relay will activate upon applying 12VDC to the terminals marked coil.
2. Use output contacts to make and break load circuits.



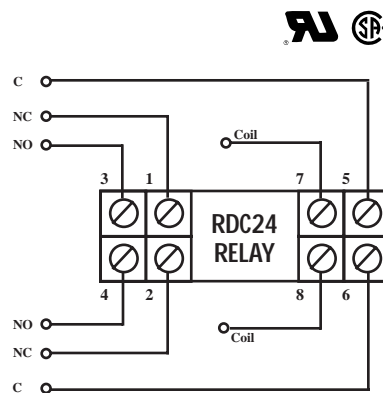
RDC24 Relay Module

Specifications:

- 24VDC Operation.
 - Current Draw: 40ma
 - Contacts: DPDT (Double Form C)
Rated: 10 amps 120VAC/28VDC.
 - UL recognized component.
- Dimensions: 2.7L x 1W x 2.5H

Operation:

1. Relay will activate upon applying 24VDC to the terminals marked coil.
2. Use output contacts to make and break load circuits.



RDC48 Relay Module

Specifications:

- 48VDC Operation.
 - Current Draw: 20ma
 - Contacts: DPDT (Double Form C)
Rated: 10 amps 120VAC/28VDC.
 - UL recognized component.
- Dimensions: 2.7L x 1W x 2.5H

Operation:

1. Relay will activate upon applying 48VDC to the terminals marked coil.
2. Use output contacts to make and break load circuits.

