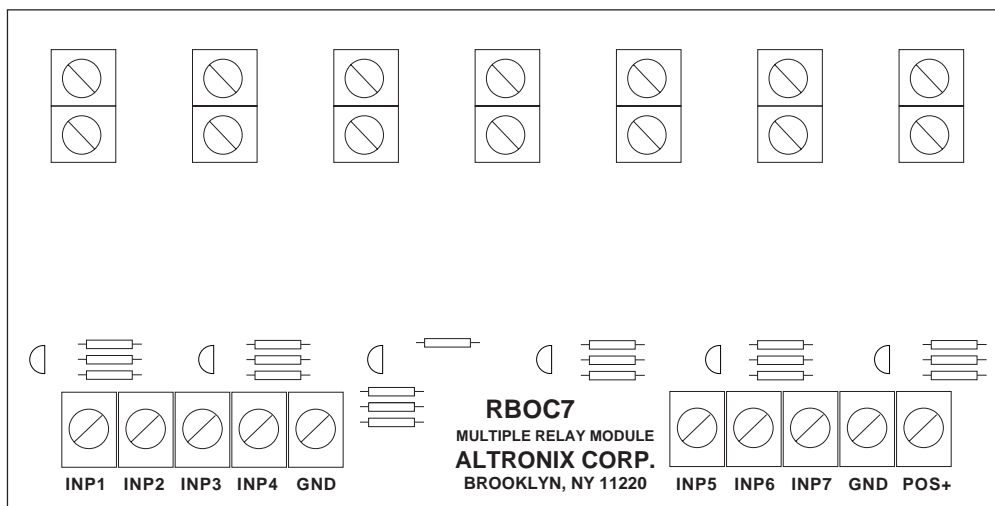




RBOC7 - Open Collector Multiple Relay Module



Specifications:

- 3-24VDC sensitive trigger, 2mA min.
- Seven (7) individual inputs.
- Provides seven (7) independent open collector outputs capable of sinking 100mA.

Board dimensions: 6.5"L x 3.25"W x 1"H

Installation Instructions:

1. Mount unit in desired enclosure. Snap track (Altronix part #ST2) or mounting holes can be used.
2. Connect positive trip outputs to desired trigger inputs.
INP1 to INP7 activate outputs on positive trip signal of 3VDC to 24VDC @ 2mA.
3. Open collector outputs are marked "OC".
Open collector output specs:
Sink current: 100mA.
Maximum output voltage: 50VDC.



Altronix is not responsible for any typographical errors. Product specifications are subject to change without notice.