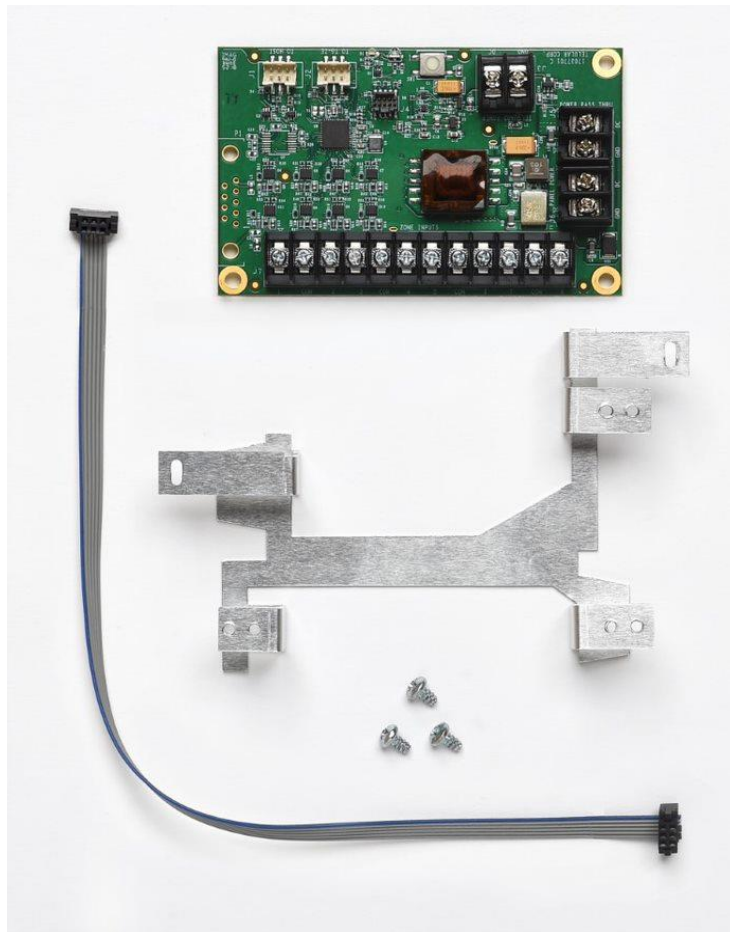




TELGUARD

# Telguard TG-PEM *Power & Expansion Module* Installation Manual



COMPANY CONFIDENTIAL  
For use by TELGUARD® customers only.  
Distribution to other parties strictly prohibited.

September 20, 2019



## Important Note

Use our dealer site at [www.telguard.com](http://www.telguard.com) to configure the Telguard Power and Expansion Module (TG-PEM).

## Foreword

Dealers purchase Telguard® cellular communicators for the quality, features and total value they represent. The Telguard TG-PEM model is UL and ULC Listed for Commercial Fire and Commercial Burglary systems.

---

### Technical Support

Technical support for all Telguard products is available:

Monday -Saturday 8am -8pm ET

Toll Free: 800-229-2326, option 9

---

### About this Manual

This manual assumes that you have basic security system installation skills such as measuring voltages, stripping wire, properly connecting wires together, connecting wires to terminals, and checking phone lines. It also assumes that you have a familiarity with the proper installation and programming tasks related to various alarm panels.

The material and instructions covered in this manual have been carefully checked for accuracy and are presumed to be reliable. However, Telguard assumes no responsibility for inaccuracies and reserves the right to modify and revise this manual without notice.

It is our goal at Telguard to always supply accurate and reliable documentation. If a discrepancy is found in this documentation, please mail or fax a photocopy of the corrected material to:

Telguard Technical Services  
3225 Cumberland Blvd  
Suite 300  
Atlanta, GA USA 30339  
Fax: 678-945-1651

## Repair and Warranty

---

If trouble is experienced with the *Telguard Power and Expansion Module* please contact Telguard Technical Support for trouble shooting, repair and (or) warranty information. The dealer or end user should not attempt any repair to *the Telguard Power and Expansion Module*. Repair of this equipment should only be referred to qualified technical personnel.

Telguard will repair or replace (our option) inoperative units for up to two years from date of manufacture. This excludes damage due to lightning or installer error. Unauthorized modifications void this warranty. Not responsible for incidental or consequential damages. Liability is limited to price of unit. This is the exclusive warranty and no other warranties will be honored, whether expressed or implied.

An RMA must be assigned before returning product. You may obtain an RMA via phone at 800-229-2326 option 1, or via email at [returns@telguard.com](mailto:returns@telguard.com).

**Note: RMA number must be on the outside of box or product will not be accepted.**

## Future Testing and Limitations on Use

---

The Telguard TG-PEM Series is part of an advanced design alarm communication system. It does not offer guaranteed protection against burglary and fire. Any alarm communication system is subject to compromise or failure.

The Telguard unit will not work without power. Electrically powered devices will not work if the power supply is off for any reason, however briefly.

The cellular radio network, needed to transmit alarm signals from protected premises to a central monitoring station, may be inoperative or temporarily out of service. Cellular radio networks are also subject to compromise by sophisticated methods of attack.

This equipment, like any other electrical device, is subject to component failure. Although this equipment is designed to be long lasting, the electrical components could fail at any time.

Due to these limitations, we recommend that if the automatic self-test feature of the Telguard system is not enabled, other arrangements be made with the user to test the system at least once every three months. Moreover, arrangements should also be made for on-site inspection/test by a licensed alarm installer at least once each year.

## Terms and Conditions for Use of Telguard Product

---

These Terms and Conditions are a legal contract between you and Telguard for the title to and use of the Product. BY RETAINING AND USING THE PRODUCT YOU AGREE TO THE TERMS AND CONDITIONS INCLUDING WARRANTY DISCLAIMERS, LIMITATIONS OF LIABILITY AND INDEMNIFICATION PROVISIONS BELOW. IF YOU DO NOT AGREE TO THE TERMS AND CONDITIONS, DO NOT USE THE PRODUCT AND IMMEDIATELY RETURN THE UNUSED PRODUCT FOR A COMPLETE REFUND. You agree to accept sole responsibility for any misuse of the Product by you; and, in addition, any negligent or illegal act or omission of you or your agents, contractors, servants, employees, or other users of the Product so long as the Product was obtained from you, in the use and operation of the Product.

---

## **INDEMNIFICATION OF TELGUARD**

YOU SHALL INDEMNIFY, DEFEND AND HOLD HARMLESS TELGUARD FOR ANY OF THE COST, INCLUDING REASONABLE ATTORNEYS' FEES, AND FROM CLAIMS ARISING OUT OF YOU, YOUR CLIENTS' OR OTHER THIRD PARTIES' USE OR OPERATION OF THE PRODUCT: (i) FOR MISUSE OR IN A MANNER NOT CONTEMPLATED BY YOU AND TELGUARD OR INCONSISTENT WITH THE PROVISIONS OF THIS MANUAL; (ii) IN AN ILLEGAL MANNER OR AGAINST PUBLIC POLICY; (iii) IN A MANNER SPECIFICALLY UNAUTHORIZED IN THIS MANUAL; (iv) IN A MANNER HARMFUL OR DANGEROUS TO THIRD PARTIES; (v) FROM CLAIMS BY ANYONE RESPECTING PROBLEMS, ERRORS OR MISTAKES OF THE PRODUCT; OR (vi) COMBINATION OF THE PRODUCT WITH MATERIAL, MODIFICATION OF THE PRODUCT OR USE OF THE PRODUCT IN AN ENVIRONMENT NOT PROVIDED, OR PERMITTED, BY TELGUARD IN WRITING. THE PARTIES SHALL GIVE EACH OTHER PROMPT NOTICE OF ANY SUCH COST OR CLAIMS AND COOPERATE, EACH WITH THE OTHER, TO EFFECTUATE THIS INDEMNIFICATION, DEFENSE AND HOLD HARMLESS.

---

## **WARRANTY and LIMITATIONS**

TELGUARD WILL REPAIR OR REPLACE (OUR OPTION) INOPERATIVE UNITS FOR UP TO TWO YEARS FROM DATE OF MANUFACTURE. EXCLUDES DAMAGE DUE TO LIGHTNING OR INSTALLER ERROR AS WELL AS UNITS THAT INCORPORATE MATERIAL, OR USED IN A MANNER OR ENVIRONMENT, NOT SPECIFICALLY AUTHORIZED IN THIS MANUAL. UNAUTHORIZED MODIFICATIONS VOID THIS WARRANTY. NOT RESPONSIBLE FOR INCIDENTAL OR CONSEQUENTIAL DAMAGES. LIABILITY LIMITED TO PRICE OF UNIT. THIS IS THE EXCLUSIVE WARRANTY, IN LIEU OF ALL OTHER WARRANTIES INCLUDING IMPLIED WARRANTIES OF MERCHANTABILITY, TITLE, DELIVERY, INFRINGEMENT OR FITNESS FOR A PARTICULAR PURPOSE AND NO OTHER WARRANTIES WILL BE HONORED, WHETHER EXPRESSED OR IMPLIED.

# Table of Contents

---

<b>Important Note</b>	<b>i</b>
<b>Foreword</b>	<b>i</b>
<b>Table of Contents</b>	<b>iv</b>
<b>General Description and Operation</b>	<b>1</b>
<b>Features</b>	<b>2</b>
<i>Operating Modes</i>	2
<i>Power from Panel</i>	2
<i>Dry Inputs</i>	2
<i>Alarm Format Support</i>	3
<i>Remote Operational Status</i>	4
<i>Programmable Supervisory Trip Output (STC1) Relay</i>	4
<i>Programmable Supervisory Trip Output (STC2) Relay</i>	4
<i>LEDs</i>	4
<b>Getting Ready</b>	<b>5</b>
<i>Pre-Installation Checklist</i>	5
<b>Installation</b>	<b>6</b>
<i>Summary</i>	6
<i>Step 1: Register the TG-7 or TG-7FS Communicator</i>	6
<i>Step 2: Pre-configure the TG-PEM prior to installation</i>	6
<i>Step 3: Mount the TG-7 or TG-7FS Communicator</i>	6
<i>Step 4: Mount the TG-PEM</i>	7
<i>Step 5: Connect the TG-PEM to the TG-7 or TG-7FS Host</i>	8
<i>Step 6: Power Up and Configure</i>	8
<i>Step 7: Connect Zone Inputs (if using)</i>	9
<i>Check Proper Operation of Zones</i>	9
<i>Optional: Connect supervisory trip output</i>	10
<i>Complete the Telguard Power and Expansion Module Installation</i>	10
<b>Appendix 1 – Installing a Second TG-PEM</b>	<b>11</b>
<i>Mounting Bracket</i>	11
<i>Installing Circuit Board</i>	12

---

<i>Wiring Connections</i>	12
<b>Appendix 2 – Connection Guide</b>	<b>13</b>
<i>Single TG-PEM System</i>	13
<i>Two TG-PEM System</i>	13
<i>Wiring Diagrams</i>	14
<i>Main Terminal Strip Pin Assignments</i>	15
<i>DC Terminal Strip Pin Assignments</i>	16
<i>Wire Lengths</i>	16
<i>End of Line Resistors</i>	16
<b>Appendix 3 – Troubleshooting Guide</b>	<b>17</b>
<i>LED Indicator Guide</i>	17
<b>Appendix 4 – Power Specifications</b>	<b>18</b>
<i>Power consumption</i>	18

## General Description and Operation

The Telguard® TG-PEM is an accessory for the Telguard TG-7FS fire communicator model and the TG-7 burglary communicator model used to provide DC-to-DC power conversion and/or expand the number of zone inputs.

The TG-PEM will accept DC power from the panel auxiliary output and convert to the proper DC voltage required to power itself, the TG-7 Series communicator and a second TG-PEM (if equipped). Powering from the panel eliminates the need for the communicator's external power supply and the backup battery within the metal enclosure.

The TG-PEM has 8 dry contact inputs that may be configured as normally open, normally closed or supervised zone. Each zone can be configured independently as needed for your application.

**Note: The TG-PEM is an accessory for a TG-7 or TG-7FS LTE device and cannot be used independently.**

The TG-PEM meets the UL requirements as listed below.

MODEL	APPLICATION	UL LISTINGS
TG-PEM (Part # TGPEM001)	Fire and Security Systems	UL 1610 and UL 864; ULC S304 and ULC S559

# Features

This section summarizes the key features of the Telguard TG-PEM.

## Operating Modes

---

The TG-PEM can be used as a power supply only or as a power supply and zone expander.

### Power supply only mode

The TG-PEM can be configured to operate only as a power supply from [www.telguard.com](http://www.telguard.com). This mode disables all zone inputs and suppresses events and off-line status updates. The LED D2 will be solid amber when operating normally.

### Power supply and zone expander mode

To work as a zone expander, the TG-7FS must have the minimum firmware version to operate with the TG-PEM. The LED D2 will be solid green when the TG=PEM is properly configured and operating normally.

## Power from Panel

---

TG-PEM can provide the Telguard system the correct power levels solely from the Fire or Burglary Control Unit (alarm panel) auxiliary output power (for example, 24V from an alarm panel's auxiliary output). Powering from the panel eliminates the need for a dedicated AC outlet and backup communicator battery at the protected premises. Wire the panel auxiliary power to the TG-PEM for the system to operate normally.

**UL Note:** For all UL Listed installations, the input must to be power-limited by a panel that is UL Listed for compatible listing and provides a regulated output of either 12VDC or 24VDC.

Refer to Appendix 4 for load calculations.

**Note:** When using panel power, the Telguard communicator should be powered exclusively from DC voltage supplied by the TG-PEM. AC power source and battery are NOT used. Because there is no AC connection to the TG-7 or TG-7FS, the AC Indicator (LED 8) will be OFF when operating in DC mode, and an AC Failure Condition (ACFC) will indicate insufficient DC power available. As there is no battery for the Telguard system, the Low Battery Condition (LBC) will not be applicable.

## Dry Inputs

---

The TG-PEM provides eight dry inputs numbered 1 through 8 that may be configured to report trip events and/or restoral reports. Each input can be configured for normally open, normally closed or supervised operation. The configuration selections are made on [www.telguard.com](http://www.telguard.com). A swinger feature is available.



## NOTICE TO USERS, INSTALLERS, AUTHORITIES HAVING JURISDICTION, AND OTHER INVOLVED PARTIES

This product incorporates field-programmable software. In order for the product to comply with the requirements in the Standard for Control Units and Accessories for Fire Alarm Systems, UL 864, certain programming features or options must be limited to specific values or not used at all as indicated below.

Program feature or option	Permitted in UL 864? (Y/N)	Possible settings	Settings permitted in UL 864
TG-PEM input type	Y	Normally open, Normally closed, Supervised	Normally open

**UL Note for Commercial Fire applications:** The TG-PEM also has 8 inputs. In commercial fire applications, TG-PEM can host a legacy FACP (that does not support a DACT) by connecting defined zone inputs (Normally Open) to FACP's dry contact outputs of fire alarm, fire supervisory and fire trouble signaling, to facilitate signaling to a remote supervisory station. All interconnecting wiring (including power input) with FACP shall be in max. 20 ft conduit. All inputs on TG-PEM should be programmed as Normally Open.

**UL Note for Commercial Burglar applications:** TG-PEM's inputs can be programmed as Normally Open, Normally Closed or Supervised (with 2.2 k $\Omega$  EOLR) 24-hr zone inputs. STC1 relay (NO) of TG7 shall be connected to a 24-hr alarm input of a compatible burglar panel to report alarms from TG-PEM's inputs, including wiring faults when the inputs are in Supervised Mode. STC2 relay (NC) shall be programmed to report NSC, LFC, RFC, DTF.

**UL Note:** Each input on any PEM module should have a unique zone number programmed. Zone numbers can't be duplicated between two PEM modules.

## Swinger

Swinger is the repetitive opening and closing of a detection circuit or device for no apparent reason. Some central stations may refer to this as a "runaway" account. The TG-PEM allows the installer to enable the swinger feature to limit the number of events transmitted on a specific zone or circuit during an ARMED cycle. The swinger feature is used to prevent repeated false signals being sent to the central station from a defective field device or common service issues like a loose wire or an intermittent connection in a sensor.

Swinger settings defined:

*Event count* is the number of events to detect

*Time span for events* is the time interval used for the event count

*Timespan without events* is the time interval where no events are detected

Swinger setting examples:

### *Suppress Alarm Detection*

Event count: 10, Timespan for events: 10 min

These settings will suppress the event reports when the zone trips more than 10 times within a 10 min timespan.

### *Restore Alarm Detection*

Timespan without events: 10 min

This setting will restore the zone when 10 mins elapse with no zone trips.

## Alarm Format Support

The Telguard TG-PEM allows configuration of each input zone and reports an event in the Contact ID alarm communication format. Central Station delivery or End-User notification is configurable through the [www.telguard.com](http://www.telguard.com) portal.

## Remote Operational Status

---

The Telguard TG-PEM provides operational status through [www.telguard.com](http://www.telguard.com). The TG-PEM status updates when the device information is received.

## Programmable Supervisory Trip Output (STC1) Relay

---

The STC1 (System Trouble Condition) relay on a TG-7 Series communicator will normally report on programmed trouble conditions impacting the TG-7 Series. However, the TG-PEM zones may be configured to control that same relay trip output (STC1) instead. This feature can be used for local annunciation through the FACP, if required. Selecting this option makes the TG-7FS supervisory trip outputs not applicable to STC1. This feature will trip the STC1 when at least one of the designated TG-PEM zones enter in trip or tamper (if applicable) mode and will remain tripped until all designated zones are restored. The STC1 relay control is configured from [www.telguard.com](http://www.telguard.com).

**Note: The STC1 relay is limited to tripped or restored condition. The STC1 relay is energized in a powered-up state when no system troubles exist. For more information, refer to the TG-7 Series Installation and Operating Guide.**

**UL Note for Commercial Fire applications:** STC1 shall be configured for Trouble Condition on the TG-PEM and all trouble conditions from the TG-7FS.

## Programmable Supervisory Trip Output (STC2) Relay

---

The STC2 normally closed supervisory relay trip output can only be configured to report the trouble conditions for the TG-7FS.

## LEDs

---

Two active LEDs are provided as a useful aid during installation and can give installers an immediate visual indication of system status. The LEDs serve as indicators for device operation and communication status. When the TG-PEM is operating normally, LED D1 should be off and LED D2 should be lit. When the TG-PEM is in power supply only mode, LED D2 will be solid amber. When the TG-PEM is in power supply and zone extender mode, LED D2 will be solid green.

Specific LED indications are listed in Appendix 3.

## Getting Ready

The Telguard TG-PEM can be used with an activated Telguard TG-7 or TG-7FS communicator, or to activate the communicator (if the firmware version supports the TG-PEM).

**Note: Not all TG-7 series devices will have the minimum firmware version to work with the TG-PEM. In most cases, firmware updates, if needed, will occur automatically during the activation process (please allow time for this to happen). In other cases, TG-7 series firmware updates are available through the [www.telguard.com](http://www.telguard.com) portal. Finally, for a TG-7FS when there is no DACT connection to the FACP, you will need to call Telguard Technical Support (1-800-229-2326, option 9) for assistance.**

## Pre-Installation Checklist

---

Before attempting to install the TG-PEM in to the Telguard enclosure, please make sure you have all the proper parts at the job site. The following items are shipped with each TG-PEM:

- Telguard TG-PEM
- Mounting bracket
- Three mounting screws
- Data cable
- Quick Install Guide

You must also have certain installation test tools:

- A screwdriver will be required to install the bracket and TG-PEM.
- Solid or stranded electrical wire will be required to make power connections and to connect the Telguard STC1 relay output to the FACP. The terminal strips can accommodate solid or stranded wire up to 18 gauge in size.
- One 2.2k $\Omega$  resistor for each supervised input to be used..

# Installation

## Summary

---

The following are steps necessary to install the Telguard TG-PEM properly.

**NOTE: IF YOU DO NOT PROCEED IN THE ORDER AND MANNER PRESCRIBED, YOU MAY NOT COMPLETE THE INSTALLATION IN THE TIME DESIRED.**

These steps are summarized below and explained in detail in the remainder of this manual or in the TG-7 Series Installation and Operating Guide, as appropriate:

1. Register the TG-7 or TG-7FS
2. Pre-configure TG-PEM prior to installation
3. Mount the TG-7 or TG-7FS
4. Mount the TG-PEM
5. Connect TG-PEM to the TG-7 or TG-7FS Host
6. Power up and configure
7. Connect zone inputs (if using)

**Note: Optional STC1 connection is needed when “Use relay1” option is selected during configuration on [www.telguard.com](http://www.telguard.com).**

This seven-step installation approach provides the alarm installer with the easiest and fastest method of properly installing a Telguard TG-PEM. Please follow the instructions carefully and if you should need assistance or have any questions, please call Telguard Technical Support at 1-800-229-2326 extension 9.

**Note: Complete Dealer Account Establishment and Telguard Registration prior to Installation.**

## Step 1: Register the TG-7 or TG-7FS Communicator

---

Use the dealer portal at [www.telguard.com](http://www.telguard.com). Do not actually mount or install the device at this point.

## Step 2: Pre-configure the TG-PEM prior to installation

---

From the dealer portal, after registering the communicator, use the Power Expansion Module tab to pre-configure the TG-PEM with the desired settings. As with other Telguard devices, a saved configuration template can be used to make this task easier.

## Step 3: Mount the TG-7 or TG-7FS Communicator

---

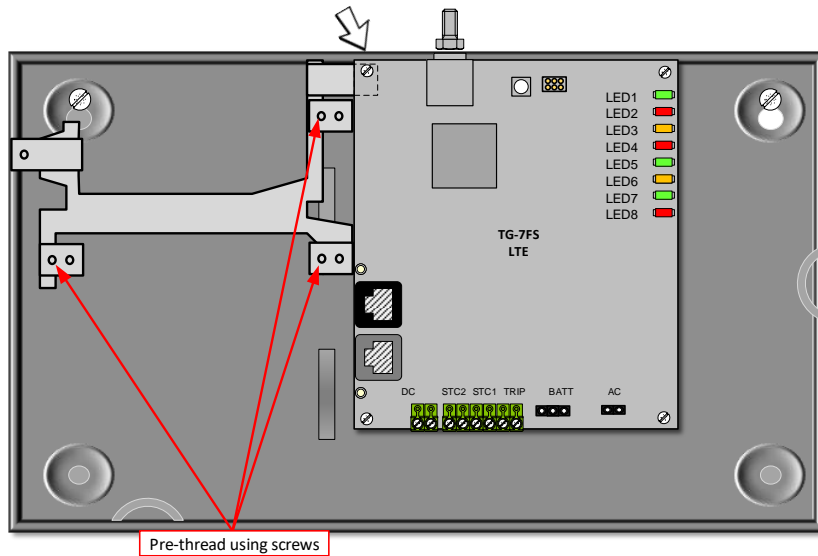
Locate the communicator near the alarm panel, making sure to avoid obstacles to clear radio communications, such as motors or other transmitters. Mount the TG-7 or TG-7FS to the wall as outlined in the TG-7 Series Installation and Operating Guide. Do not connect power or activate at this point.

## Step 4: Mount the TG-PEM

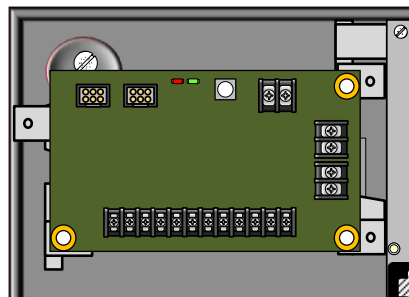
Before beginning the installation of the TG-PEM inside the TG-7 series enclosure, use one of the screws provided to pre-thread the screw holes in the metal mounting bracket. While not required, this will make attaching the TG-PEM circuit board to the metal bracket much easier. The diagram below shows where to pre-thread.

To mount the TG-PEM in the communicator enclosure:

- Remove top left mounting screw that holds the TG-7 series board (indicated by arrow).
- Orient bracket as shown in diagram.
- Insert bracket at an angle so that top mounting point slides under board as depicted, and angled tab threads through the enclosure bump out.
- Replace screw to securely mount bracket and board.



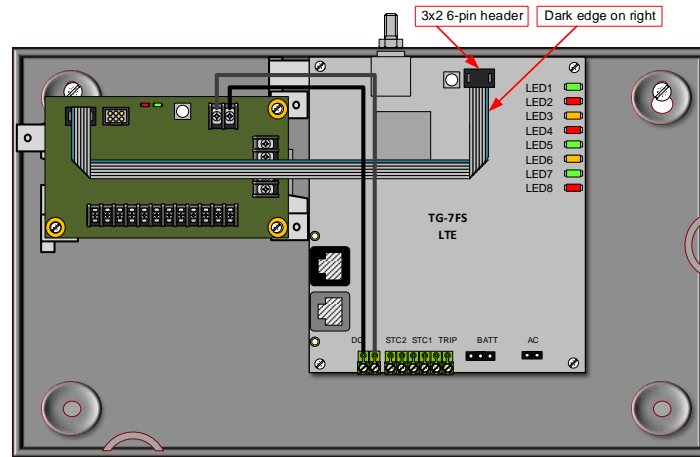
- Use the three provided mounting screws to secure the TG-PEM board onto the bracket in the holes that you pre-threaded.



If a second TG-PEM (supporting 9-16 additional zones) is to be installed, do so after completing Step 5.

## Step 5: Connect the TG-PEM to the TG-7 or TG-7FS Host

- Make sure there are no AC or DC power sources connected to the TG-7 or TG-7FS communicator. Connect power and ground from the TG-PEM terminal labeled “TELGUARD POWER” to the terminal block on the TG-7 or TG-7FS labeled DC and GND. Do not overtighten.
- Connect ribbon cable (provided) from the connector on TG-PEM labeled “TO HOST” to the 3x2 6-pin header on the TG-7 series board as shown. The dark color edge of the ribbon cable should be oriented away from the antenna (on the right side) of the TG-7 or TG-7FS.



If your installation includes a second TG-PEM, install it now following the instructions in Appendix 1.

## Step 6: Power Up and Configure

- Connect power and ground from the panel auxiliary output to the terminal labeled “PANEL POWER” on the TG-PEM to provide power to the TG-PEM and TG-7 or TG-7FS.
- Complete the activation of the TG-7 or TG-7FS as outlined in the TG-7 series Installation and Operating Guide. The TG-PEM does not require a separate activation but will require an active TG-7 or TG-7FS host.
- If the TG-PEM was preconfigured, it should now be ready; otherwise, visit [www.telguard.com](http://www.telguard.com) to configure the TG-PEM.
- When both the TG-7 series communicator and the TG-PEM have been activated, LED D2 on the TG-PEM should have a solid light on. If the TG-PEM was configured to be used as a power supply only, the light will be amber. If the TG-PEM was configured to be used as both a power supply and to provide additional zones, LED D2 will be green.

### Alternate Activation Situations

The TG-PEM will not communicate if the TG-7 series communicator does not have the minimum firmware version 2.32.00. Generally, the firmware will be upgraded automatically when initially powering up and configuring. To upgrade the firmware for a TG-7FS when there is no dial capture output on the FACP, you will need to call Telguard Technical Support (1-800-229-2326, option 9) for assistance when the system is powered up and ready to upgrade. Firmware upgrades can take several minutes to complete.

In some installations, it may be desirable or necessary to activate the TG-7 series communicator without utilizing the alarm panel. If the TG-7 or TG-7FS meets the firmware requirement (minimum version 2.32.00), the TG-PEM can be used to activate the communicator. To initiate the activation process, perform the following steps.

- Make sure TG-7 or TG-7FS LEDs display normal operation (no RSSI mode).
- Short input zone 8.
- Press and release the RSSI toggle button to enter RSSI mode.
- Remove the short on input 8.
- Press and release the RSSI toggle button for a second time to exit RSSI mode.
- Observe the activating LED pattern on the TG-PEM. TG-PEM LED D2 will flash amber while activating the TG-7 or TG-7FS.
- Look for the TG-7 series LED 1 to eventually turn solid green indicating it is activated.

### Configuration Changes

To change the Configuration after activation, press and Hold the RSSI Button for more than 5 seconds and release. This will put the TG-PEM and the communicator into a 10-minute maintenance mode window to accept the configuration commands from the Telguard Communications Center (for UL864, cl. 59.1.8 reference purposes, TMC gateway software ver. 2019.1.16.2 or later is used). You can only change the input configuration during the maintenance mode window.

## Step 7: Connect Zone Inputs (if using)

---

The TG-PEM provides 8 dry contact zones. Up to 16 zones are available by using a second TG-PEM. There are restrictions that impact the use of zones in NFPA 72 that must be honored to remain in UL and/or ULC compliance for fire systems. For example, initiating devices must be connected to the FACP, not the TG-PEM. Check with your AHJ to understand how these restrictions impact your installation.

- Prior to making connections to the zone inputs, verify that LED D2 on the TG-PEM is solid green. If it is solid amber, your TG-PEM is not configured to use zone inputs and should be reconfigured. Consult Appendix 3 for troubleshooting on any other light pattern appears.
- Temporarily disconnect the power while you connect any monitoring sensors to the zone inputs.
- For supervised zones, use a standard 2.2kΩ EOL resistor (not included).
- Reconnect power, allow the TG-7 or TG-7FS to initialize, and check for proper operation.

The red LED D1 is intended to assist with zone programming. A captured event, such as a tripped zone, will turn the LED solid red, then begin flashing during the data exchange with the Telguard Messaging Center. When event reporting is complete, LED D1 will return to previous state. Individually check for proper operation of each programmed zone by causing it to trip, observe the LED, and verify the proper event code is reported.

## Check Proper Operation of Zones

---

The red LED D1 is intended to assist with zone programming. A captured event, such as a tripped zone, will turn the red LED solid, then begin flashing during the data exchange with the TCC. When event reporting is complete, the LED D1 will return to previous state. Individually check for proper operation of each programmed zone by causing it to trip, observe the LED, and verify the proper event code is reported.

## Optional: Connect supervisory trip output

---

The TG-PEM may be configured to control the STC1 relay on the TG-7 series communicator from [www.telguard.com](http://www.telguard.com). STC1 relay control may be used trigger local annunciation on the FACP for pre-determined input zones.

**UL Note for Commercial Fire applications:** STC1 relay must be connected to the panel's input zone to annunciate trouble condition in TG-PEM and TG-7FS. For commercial burglary applications, any inputs from TG-PEM may be configured to trip the STC1 relay on the TG-7 to annunciate the alarm or trouble condition locally on the alarm panel using a 24-hour input on the panel.

## Complete the Telguard Power and Expansion Module Installation

---

- Route and secure all wires inside TG-7 or TG-7FS enclosure
- Follow proper guidelines for wire protection
- Close the enclosure door and lock it



## Appendix 1 – Installing a Second TG-PEM

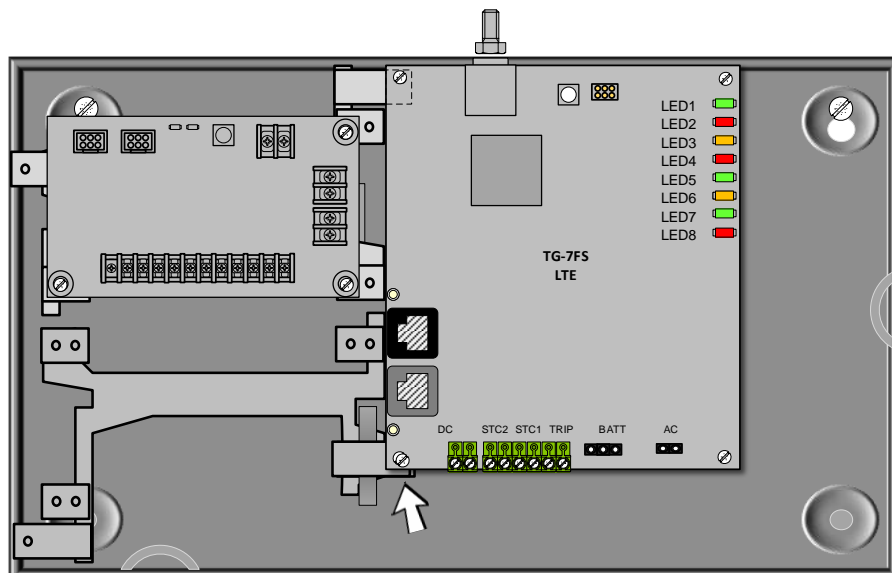
A second TG-PEM can be used to provide additional dry contact inputs. One TG-PEM provides up to 8 inputs, while a second TG-PEM can provide a total of 9-16 inputs.

The mounting bracket and circuit board for a second TG-PEM will be mounted upside-down inside the TG-7 series enclosure when compared to the first TG-PEM device. A second set of screw holes are provided on the bracket for use when the bracket is oriented this way.

### Mounting Bracket

Before beginning the installation of a second TG-PEM, use one of the screws provided to pre-thread the screw holes in the metal mounting bracket. While not required, this will make attaching the TG-PEM circuit board to the metal bracket much easier. Make sure to pre-thread the holes that will be on the left when the bracket is installed as shown below.

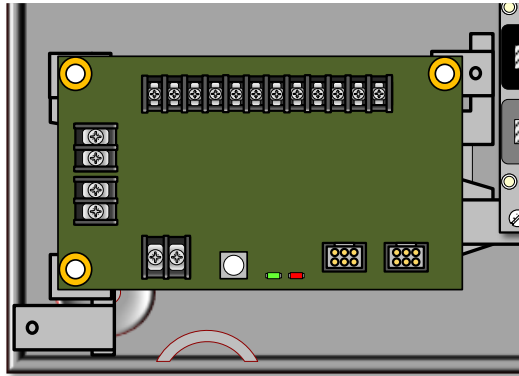
- Remove the bottom-left mounting screw that holds the TG-7 series circuit board.
- Orient the bracket according to the image below.
- Insert the bracket at an angle so that the bottom mounting point slides under the board as depicted, and the angled tab threads through the enclosure bump out.
- Replace the TG-7 series circuit board mounting screw to secure the bracket.



## Installing Circuit Board

---

Use the three provided TG-PEM mounting screws to secure the second TG-PEM circuit board onto the bracket.



## Wiring Connections

---

Power Connections:

- Follow instructions to connect first TG-PEM.
- Connect power and ground from “POWER PASS THRU” terminal of the first TG-PEM to the “PANEL POWER” terminal on the second TG-PEM.

Data Connections:

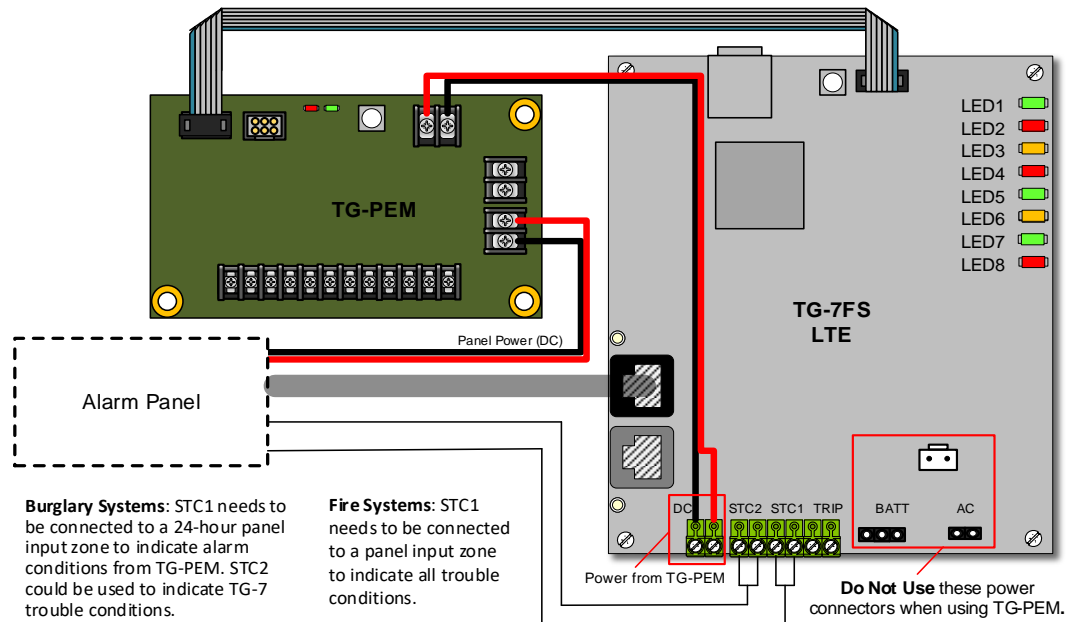
- Follow instructions to connect first TG-PEM.
- Connect the provided ribbon cable from the keyed connector on the second TG-PEM labeled “TO HOST” to the keyed connector on the first TG-PEM labeled “TO TG-PEM”.

See Appendix 2 for wiring diagrams.

## Appendix 2 – Connection Guide

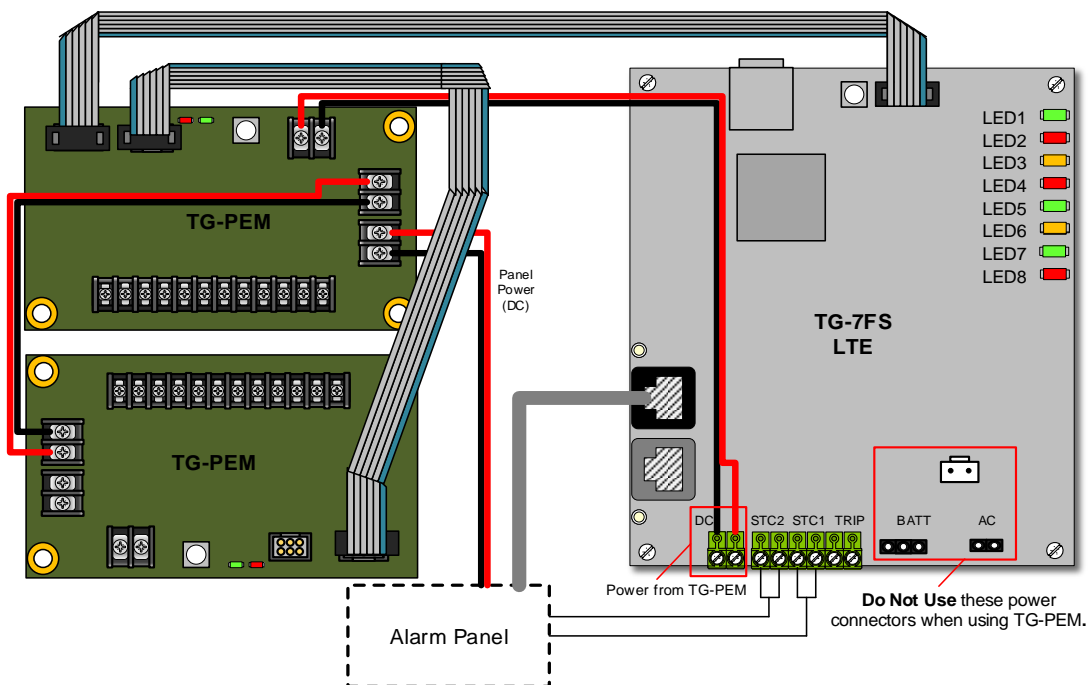
### Single TG-PEM System

This diagram represents the basic wiring connections for a system with a single TG-PEM. Individual zones are not shown for clarity.



### Two TG-PEM System

This diagram represents the wiring connections for a system with two TG-PEM modules. Individual zones are not shown for clarity.



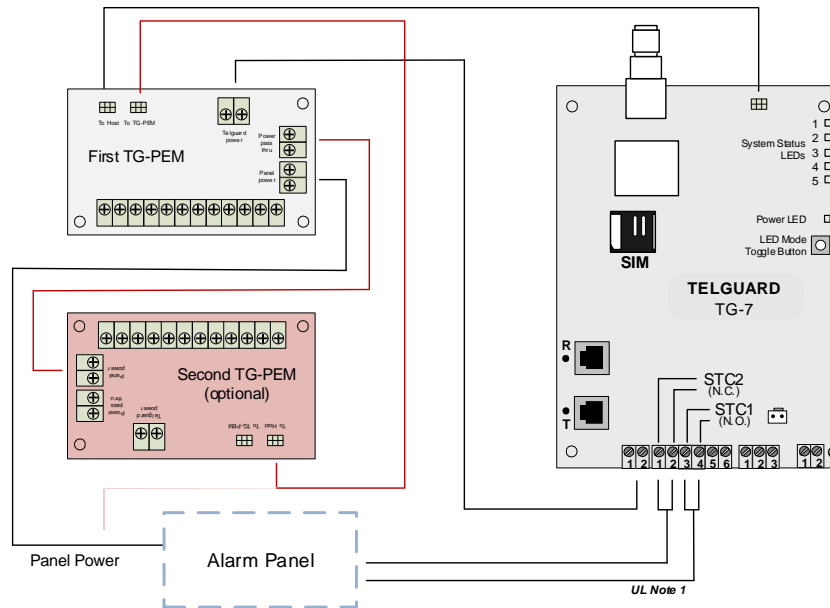
## Wiring Diagrams

The following wiring diagrams are for the Telguard TG-7 Series and TG-PEM. For clarity, zone input connections are not shown.

The diagrams assume that a telephone cable would connect from the alarm panel to the black RJ-45 connector on the communicator. Consult the TG-7 Series Installation and Operating Guide for more information.

### Commercial Burglar Installation

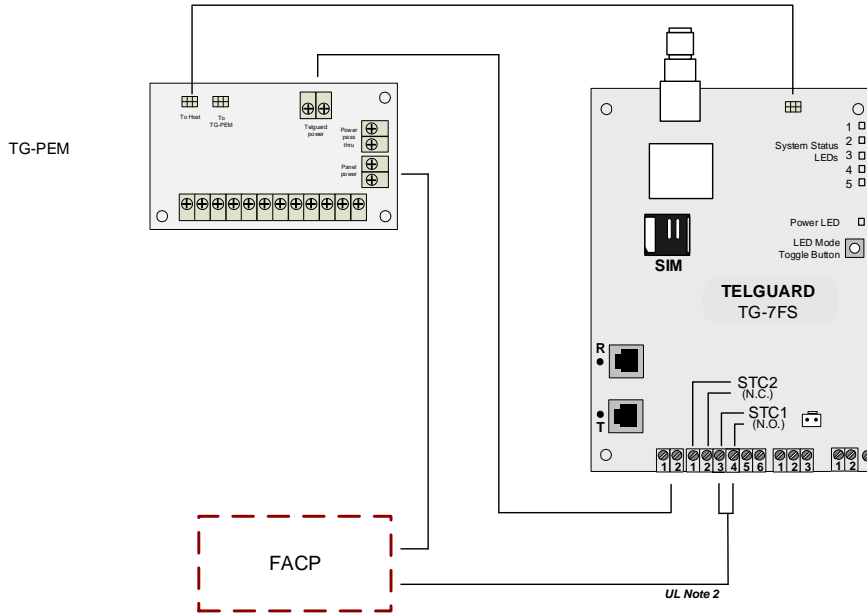
The TG-7 Series and TG-PEM work together as a system. The TG-PEM device that is getting the panel power is referred to as the “First TG-PEM”. The second TG-PEM device is optional, and its connections are depicted in red.



**UL Note 1:** STC1 needs to be connected to a 24-hour panel input zone to indicate alarm conditions from TG-PEM. STC2 could be used to indicate TG-7FS trouble conditions.

## Commercial Fire Installation

The TG-7FS and the TG-PEM work together as a system. For commercial fire installations, one or two TG-PEM devices may be used. FACP relay outputs are connected to TG-PEM zone inputs and the TG-7FS STC1 relay output is connected to a FACP input zone to indicate all trouble conditions.



**UL Note 2:** STC1 needs to be connected to a panel input zone to indicate all trouble conditions.

## Main Terminal Strip Pin Assignments

Terminal Strip Pin	Definition	Connects To	Function
1	Input 1	Monitoring device	Input
COM	Common (or ground)	Common/ground	Common/ground
2	Input 2	Monitoring device	Input
3	Input 3	Monitoring device	Input
COM	Common (or ground)	Common/ground	Common/ground
4	Input 4	Monitoring device	Input
5	Input 5	Monitoring device	Input
COM	Common (or ground)	Common/ground	Common/ground
6	Input 6	Monitoring device	Input
7	Input 7	Monitoring device	Input
COM	Common (or ground)	Common/ground	Common/ground
8	Input 8	Monitoring device	Input

## DC Terminal Strip Pin Assignments

---

Terminal Strip Pin	Connects To	Function	Note
PANEL POWER	Panel auxiliary output	Power in to the Telguard system	Regulated DC input power of 12VDC or 24VDC
POWER PASS THRU	Second TG-PEM	Power out to second TG-PEM	DC power to additional TG-PEM devices
TELGUARD POWER	Telguard TG-7FS	Power out to the Telguard	DC power to the TG-7FS device

**UL Note:** For all UL listed installations, the panel needs to be listed for the application and the panel shall provide a regulated 12VDC or 24VDC from its output.

## Wire Lengths

---

Gauge	Length of Wire Loop	Note
22	2000ft	1000ft in distance
18	5000ft	2500ft in distance

## End of Line Resistors

---

Each supervised zone input must be terminated with a 2.2k $\Omega$  resistor (not provided).

## Appendix 3 – Troubleshooting Guide

This section provides a summary of all LED indications and their meanings.

### LED Indicator Guide

---

Status	LED D1 (red)	LED D2 (bicolor)	Details
Power supply mode or inputs not configured	off	amber	TG-PEM being used as power supply only, or event capture is disabled/not configured
Ready, no activity	off	green	TG-PEM is ready
Input tripped or Event waiting to report	on	green	At least 1 enabled input is tripped, or Event(s) captured and waiting to be reported
Event is reporting	flashing	green	Event(s) reporting or waiting for response
LED Test	on	amber	Application is starting, all LEDs on for 3sec, followed by off for 3sec
Firmware update	off	amber fast flash	Updating TG-PEM firmware
Bootloader error	off	red flash	Device failure, Contact Technical Support
Shut down	on	off	Power to TG-PEM is below minimum
Initiating TG-7FS Host activation	off	amber flash	TG-PEM triggers the TG-7FS Host activation process

## Appendix 4 – Power Specifications

This section provides a power consumption summary for two (2) TG-PEMs and TG-7FS combined.

### Power consumption

---

DC input	mA – standby no link supervision	mA – standby with link supervision	mA – transmit max
12V	78mA	82mA	278mA
24V	43mA	46mA	132mA