

**Honeywell**

***VISTA-32FB***  
**Commercial Fire and Burglary**  
**Partitioned Security System**  
**with Scheduling**

**Programming Guide**

## Table of Contents

Programming Field Settings for UL864 Compliance 2	Alpha Descriptor Vocabulary .....30
Recommended Programming Procedure ..... 6	Relay Voice Descriptors and Custom Word Substitutes Vocabulary .....39
Program Field Index ..... 7	System Layout Worksheets .....40
VISTA-32FB Programming Form ..... 8	Output Devices Worksheets .....47
Partition-Specific Fields ..... 14	Scheduling Menu Prompts.....53
Programming With #93 Menu Mode ..... 16	Scheduling Worksheets .....54
5800 Series Transmitters Loop Designations ..... 20	

## Programming Field Settings for UL864 Compliance

<b>NOTICE TO USERS, INSTALLERS, AUTHORITIES HAVING JURISDICTION, AND OTHER INVOLVED PARTIES</b>			
This product incorporates field-programmable software. In order for the product to comply with the requirements in the Standard for Control Units and Accessories for Fire Alarm Systems, UL 864, certain programming features or options must be limited to specific values or not used at all as indicated below.			
<b>Program feature or option</b>	<b>Permitted in UL864? Y/N</b>	<b>Possible settings</b>	<b>Settings permitted in UL 864</b>
*08 TEMPORAL SIREN PULSE	N	0 = disable 1 = enable	Not used at this time. Must be set to "0" (disable)
*13 ALARM SOUNDER (BELL) TIMEOUT	Y	Enter 01-15 multiplied by 2 minutes. 00 = no timeout.	Must be set to "3" (Minimum of 6 minutes).
*17 AC LOSS KEYPAD SOUNDING	N	0 = disable 1 = enable	Must be set to "1" (enabled).
*20 VIP MODULE PHONE CODE	N	Enter 01 - 09 for the first digit; enter 11 for "*" or 12 for "#" for the second digit.	Not used. Must be set to "00".
*22 KEYPAD PANIC ENABLES (PARTITION SPECIFIC)	N	0 = disable 1 = enable	Must be set to "000" for partition 1 in fire systems.
*23 MULTIPLE ALARMS (PARTITION SPECIFIC)	N	0 = disable 1 = enable	Must be set to "1" (enabled).
*26 INTELLIGENT TEST REPORTING	N	0 = disable 1 = enable	Must be set to "0" (disable).
*27 TEST REPORT INTERVAL	Y	Enter 001-999 for the test report interval in hours. Enter 000 for test reporting.	Must be set to "024" (Maximum 24 hours)
*28 POWERUP IN PREVIOUS STATE	Y	0 = disable 1 = enable	Must be set to "1" (enable).
*37 DOWNLOAD COMMAND ENABLES	N	0 = disable 1 = enable	Must be set to "0" for all entries (disable).
*41 NORMALLY CLOSED OR EOLR (ZONES 3-8)	N	0 = EOLR supervision 1 = N.C. loops	Must be set to "0" (EOLR Supervision).
*42 DIAL TONE PAUSE	Y	Enter the wait time for dial tone detection: 0 = 5 seconds; 1 = 11 seconds; 2 = 30 seconds.	Must be set to "0" (5 seconds).
*44 RING DETECTION COUNT	N	Enter 00 to disable ring detection. Enter 01-14 for ring counts of 1-14. Enter 15 to select Answering Machine Defeat Mode	Must be set to "00" (disable).
*56 DYNAMIC SIGNALING DELAY	Y	Enter 00-15 times 15 seconds.	Must be set to "6" (90 seconds).
*64 - *76 (PAGER OPTIONS)	N	NA	Not Used
*77 AUTO RESTORE	Y	0 = disable 1 = restore troubles only 2 = restore troubles and fire alarms	Must be set to "1" (restore troubles only).

Program feature or option	Permitted in UL864? Y/N	Possible settings	Settings permitted in UL 864
*80 ZONE TYPE RESTORES FOR TYPES 9, 10 & 14	N	0 = disable 1 = enable	Must be set to "1" (enable) for zone type 9.
1*12 PROGRAM NOTIFICATION SIGNAL	Y	0 = no 1 = yes	Must be set to "1" (yes).
1*13 SYSTEM SENSOR REVERSING RELAY	N	0=use neither Zone 1 or Zone 2 inputs 1=use Zone 1 input; 2=use Zone 2 input; 3=use Zone 1 and Zone 2 inputs.	Not Used. Must be set to "0".
1*18 AFFECTS LOBBY	N	0 = disable 1 = enable	Must be set to "0" (disabled) for partition 1.
1*19 ARMS LOBBY	N	0 = disable 1 = enable	Must be set to "0" (disabled) for partition 1.
1*22thru 1*25 CROSS-ZONING PAIRS (1 – 4)	N	Enter 001-032 Enter 000,000 to disable	Must be set to "000,000" (disabled) for fire zones.
1*28 RF TRANSMITTER LOW BATTERY SOUND	N	0 = disarmed state only 1 = both armed and disarmed states	Must be set to "1" (both armed and disarmed states).
1*29 RF TRANSMITTER LOW BATTERY REPORTING	N	0 = disable 1 = enable	Must be set to "1" (enable).
1*30 RF RECEIVER SUPERVISION CHECK-IN INTERVAL	N	Enter 02–15 times 2 hours (4–30 hours) Enter 00 to disable receiver supervision	Maximum is 02 (4 hours) for fire installations.
1*31 RF TRANSMITTER CHECK-IN INTERVAL	N	Enter 02–15 times 2 hours (4–30 hours) Enter 00 to disable transmitter supervision	Maximum is 02 (4 hours) for fire installations.
1*35 ACCESS CONTROL DIALER ENABLES	N	0 = disable 1 = enable	Not used. Must be set to "0".
1*44 WIRELESS KEYPAD TAMPER DETECTION	N	0 = disable 1 = enable	Not used. Must be set to "0".
1*45 EXIT DELAY SOUNDING (PARTITION SPECIFIC)	N	0 = disable 1 = enable	Must be set to "0" (disable) for partition 1.
1*48 WIRELESS KEYPAD ASSIGNMENT	N	0 = none 1-2 = partition number	Not used. Must be set to "0".
1*49 SUPPRESS TX SUPERVISION SOUND	N	0 = disable 1 = enable	Must be set to "0" (disable).
1*53 DISABLE DOWNLOAD CALLBACK	N	0 = callback required 1 = no callback required	Must be set to "0" (callback required).
1*57 5800 RF BUTTON GLOBAL ARM	N	0 = disable 1 = enable	Must be set to "0" (disable).
1*58 5800 RF BUTTON FORCE ARM	N	0 = disable 1 = enable	Must be set to "0" (disable).
1*60 ZONE 5 AUDIO ALARM VERIFICATION	N	0 = disable 1 = enable	Must be set to "0" (disable).
1*72 EVENT LOG PRINTER ONLINE	N	0 = disable 1 = enable	Not used. Must be set to "0".
1*73 PRINTER BAUD RATE	N	0 = 1200 1 = 300	Not used.
1*76 CONTROL RELAY (PART-SPECIFIC)	N	01-96 = relay number 00 = relay not used.	Must be set to "00" (relay not used) for partition 1.
2*07 AUTO-DISARM DELAY (PART SPECIFIC)	N	00 = no delay. 01-14 times 4 minutes (04-56) delay. 15 = no auto disarming.	Must be set to "15" (no auto disarming) for partition 1.
2*18 ENABLE GOTO FOR THIS PARTITION (partition-specific)	N	0 = disable 1 = enable	Must be set to "0" (disable) for partition 1.
2*21 SUPERVISION PULSES FOR COMMUNICATIONS DEVICE	N	0 = disable 1 = enable	Not used. Must be set to "00000" (disable).
2*22 DISPLAY FIRE ALARMS OF OTHER PARTITIONS	N	0 = disable 1 = enable	Must be set to "0" (disable) for partition 1.
2*23 DISPLAY BURGLAR, PANIC AND CO ALARMS FOR OTHER PARTITIONS	N	0 = disable 1 = enable	Must be set to "0" (disable) for partition 1.

Program feature or option	Permitted in UL864? Y/N	Possible settings	Settings permitted in UL 864
2*24 DISPLAY TROUBLES OF OTHER PARTITIONS	N	0 = disable 1 = enable	Must be set to "0" (disable) for partition 1.
3*01 EVENTS DISPLAY LOCK	N	0 = disable 1 = enable	Must be set to "1" (enable).
3*12 ZN TYPE 18 DELAY USE	N	0 = disable 1 = enable	Must be set to "0" (disable).
3*13 FIRE SUPERVISORY RESPONSE TO OPEN/SHORT (APPLIES TO ZONE TYPE 18)	N	0 = Trouble on open/Supv on short 1 = Supv on open/Supv on short	Must be set to "0".
3*14 WATERFLOW ALARM SILENCE OPTION	N	0 = Silenced by User Code + OFF 1 = Silenced when zone restores	Must be set to "0" (Silenced by User Code + OFF).
3*16 DELAY FOR ZONE TYPES 17 & 18 (Waterflow/Supervisory)	N	Enter 01-15 times 2 seconds Enter 00 for no delay	Must be set to '00' (no delay).
3*18 EXTENDED DELAY FOR ZONE TYPES 17 & 18 Multiplies delay in 3*16 x 4)	N	0 = no extended delay 1 = multiply delay by 4	Must be set to '0' (no extended delay).
3*19 AUXILIARY INPUT ALTERNATE FUNCTION ENABLE	N	0 = disable 1 = enable	Must be set to '0' (disable).
3*20 TRIGGER OUTPUTS FUNCTION SELECTION	N	0 = remote keypad sounder 1 = keyswitch LEDs	Must be set to '0' (remote keypad sounder).
3*21 MAXIMUM NUMBER OF DIALER ATEMPTS	Y	1-8	Must be set at 3, 4 or 5.
3*50 ZONE TYPE RESTORE ENABLES FOR TYPES 16-18	N	0 = disable 1 = enable	Must be set to "1" (enable).
3*55 RESET ON SECOND OFF FOR BELL 1	N	0 = disable 1 = enable	Must be set to "0" (disable).
3*56 RESET ON SECOND OFF FOR BELL 2	N	0 = disable 1 = enable	Must be set to "0" (disable).
3*57 BELL 2 AND AX RELAY CONFIRM ARMING DING	N	0 = disable 1 = enable	Must be set to "0, 0" (disable).
3*59 ENABLE BELL 2 & AUXILIARY RELAY CHIME ANNUNCIATION	N	0 = disable 1 = enable	Must be set to "0" (disable) if Bell 2 or Aux Relay is used for Fire.
3*60 BELL 2 & AUX RELAY TIMEOUT	Y	Enter 01-15 multiplied by 2 minutes. 00 = no timeout.	Must be set to "3" (Minimum of 6 minutes).
3*82 BURGLARY FEATURES ON PARTITION 1 ENABLE	N	0 = disable 1 = enable	Must be set to "0" (disable).
RESTRICTION FOR FIRE RELAYS	Y	Yes No	Restriction for # 70 must be set to Yes when programming fire relays.

The purpose of this document is to provide a quick and easy way to program your entire system. A recommended programming procedure is included, followed by a list of program fields with the corresponding program group they belong to (system-wide, partition-specific, scheduling, etc.). Two program forms are included. One contains all the programming fields, and the other contains the partition-specific fields. If you are setting up a single-partition system, the partition-specific fields become system-wide fields.

Following the program forms are system layout worksheets. We recommend that you use these sheets to plan your system before programming is performed. If you need further information about specific programming options, see the *VISTA-32FB Installation and Setup Guide*.

Make sure that one two-line alpha keypad is connected to the control and is set to device address "00."

### Single-Partition System

The system default is for a single-partition system. Use the VISTA-32FB SINGLE PARTITION PROGRAMMING FORM when programming for single-partition usage. Follow the steps outlined in RECOMMENDED PROGRAMMING PROCEDURE of this document for proper programming procedure.

### Multiple-Partition System

You must enter the number of partitions you are using in data field 2\*00 to set the system for multiple partitions. Use the VISTA-32FB SINGLE PARTITION and the PARTITION-SPECIFIC PROGRAM FORMS when programming the system for multiple partitions. Follow the steps outlined in RECOMMENDED PROGRAMMING PROCEDURE of this document for proper programming procedure.

## SUMMARY OF PROGRAMMING COMMANDS

- **To enter program mode**, enter installer code + [8] + [0] + [0]
- **To set standard defaults**, press \*97
- **To change to next page of program fields**, press \*94
- **To return to previous set of fields**, press \*99
- **To erase account and phone number field entries**, press [\*] + field number + [\*]
- **To assign zone descriptors**, press #93 + follow menu prompts
- **To add custom words**, press #93 + follow menu prompts
- **To enter Installer's Message**, press #93 + follow menu prompts
- **To exit program mode**, enter \*99 OR \*98: \*99 allows re-access to programming mode by installer code. \*98 prevents re-access to programming mode by installer code. The only way to re-access programming mode is by depressing both the [\*] and [#] keys at the same time within 30 seconds of power-up.

Standard default (\*97) values are shown in brackets [ ], otherwise default = 0.

## Recommended Programming Procedure

---

The following is a step-by-step procedure recommended for programming your VISTA-32FB system.

- 1. Set the keypads (and other peripheral devices) to the appropriate addresses.**
- 2. Set factory defaults by pressing \*97.**

This will automatically enable keypad addresses 00-01, so be sure at least one keypad is set to one of these addresses.
- 3. Program system-wide (global) data fields.**

Using the programming form as a guide, enter program mode and program all system-wide programming fields. These options affect the entire system, regardless of partitions. They include control options, downloader and dialer options, RF options, event logging options, etc. Refer to the *Program Field Index* for a listing of the program fields and their function.

**Note that field 2\*00 (number of partitions) must be programmed before continuing.**
- 4. Program partition-specific fields.**

When the system-wide fields have been programmed, program all partition-specific programming fields by first pressing \*91 to select a partition (while still in data field program mode). Then enter the first partition-specific field number \*09. When you are finished, the next partition-specific field is automatically displayed. Partition-specific fields can have different values for each partition. To program the fields for the next partition, press \*91, enter the desired partition number, then enter field \*09. Refer to the *MECHANICS OF PROGRAMMING* section in the *VISTA-32FB Installation and Setup Guide* for detailed instructions.
- 5. Use #93 Menu Mode for device programming.**

Refer to *Device Programming* in this guide to assign keypad ID numbers and default partitions for each keypad, and to selectively suppress certain keypad sounding options. Also use this mode to assign RF receivers, relay modules, and Communicators (7845i-ent).
- 6. Use #93 Menu Mode for zone programming.**

Refer to *Zone Programming* in this guide to program zone response types, assign right loop zones and wireless zones, assign zones to partitions, and to program alarm report codes.
- 7. Use #93 Menu Mode for programming outputs.**

Refer to *Output Programming* in this guide to program desired output operation.
- 8. Program Communication options.**

Refer to *System Communication* section in the *VISTA-32FB Installation and Setup Guide* for detailed instructions. Then use #93 menu mode to program report codes.
- 9. Use #93 Menu Mode for programming alpha descriptors.**

Refer to *Alpha Programming* in this guide to enter zone and partition descriptors and a custom installer's message.
- 10. Use #80 Mode for programming schedules.**

Refer to the *Scheduling Menu Prompts* in the *VISTA-32FB Installation and Setup Guide* to program open/close schedules, temporary and holiday schedules, limitation of access schedules, and time-driven events.
- 11. Define user access codes.**

Refer to *User Access Codes* in the *VISTA-32FB Installation and Setup Guide* to program authority level, O/C reporting option, partition assignments, and wireless key assignments for each user.
- 12. Exit Programming Mode.**

Exit programming mode by pressing either \*98 or \*99. Additional entries of \*99 are required if the exit is being done from fields 1\*00 and above.

To prevent re-access to programming mode using the Installer's code, use \*98. The only way to re-access programming mode is by depressing both the [\*] and [#] keys at the same time within 30 seconds of power-up.

Exiting by using \*99 always allows reentry into programming mode using the Installer code. Either way of exiting allows access via downloading. Note that if local programming lockout is set via downloading, programming mode cannot be entered at the keypad.

## Program Field Index

On the following pages, the programming fields have been arranged in numerical order. Use this index to cross-reference the fields on the programming form.

Field	Group
*00	System-Wide
*08	System-Wide
*09	Partition-Specific
*10	Partition-Specific
*11	Partition-Specific
*12	Partition-Specific
*13	Partition-Specific
*15	System-Wide
*16	Partition-Specific
*17	System-Wide
*19	System-Wide
*20	System-Wide
*22	Partition-Specific
*23	Partition-Specific
*24	System-Wide
*25	System-Wide
*26	Communications
*27	Communications
*28	System-Wide
*29	Partition-Specific
*30	Communications
*31	Communications
*32	Partition-Specific
*33	Communications
*34	Communications
*35	System-Wide
*36	System-Wide
*37	System-Wide
*38	Partition-Specific
*39	Partition-Specific
*40	Communications
*41	System-Wide
*42	Communications
*43	Communications
*44	Communications
*45	Communications
*46	Communications
*47	Communications
*48	Communications
*49	Communications
*50	Communications
*51	Communications
*52	Communications
*53	Communications
*54	System-Wide
*56	Communications
*57	Communications
*58	Communications
*59	Communications
*64	Communications
*65	Communications

Field	Group
*66	Communications
*67	Communications
*68	Communications
*69	Communications
*70	Communications
*71	Communications
*72	Communications
*73	Communications
*74	Communications
*75	Communications
*76	Communications
*77	Communications
*79	Communications
*80	Communications
*83	Communications
*84	Partition-Specific
*85	Partition-Specific
*87	Partition-Specific
*88	Partition-Specific
*89	Communications
*90	Partition-Specific
1*12	System-Wide
1*13	System-Wide
1*17	System-Wide
1*18	Partition-Specific
1*19	Partition-Specific
1*20	System-Wide
1*21	System-Wide
1*22	System-Wide
1*23	System-Wide
1*24	System-Wide
1*25	System-Wide
1*26	Partition-Specific
1*28	System-Wide
1*29	System-Wide
1*30	System-Wide
1*31	System-Wide
1*33	Communications
1*34	Communications
1*35	Communications
1*42	Communications
1*43	Partition-Specific
1*44	System-Wide
1*45	Partition-Specific
1*47	Partition-Specific
1*48	System-Wide
1*49	System-Wide
1*52	Partition-Specific
1*53	System-Wide
1*56	System-Wide
1*57	System-Wide

Field	Group
1*58	System-Wide
1*60	System-Wide
1*70	System-Wide
1*71	System-Wide
1*72	System-Wide
1*73	System-Wide
1*74	System-Wide
1*75	System-Wide
1*76	Partition-Specific
1*77	System-Wide
2*00	System-Wide
2*01	System-Wide
2*02	System-Wide
2*05	Partition-Specific
2*06	Partition-Specific
2*07	Partition-Specific
2*08	Partition-Specific
2*09	Partition-Specific
2*10	Partition-Specific
2*11	System-Wide
2*18	Partition-Specific
2*19	Partitioning
2*20	Partition-Specific
2*21	System-Wide
2*22	Partition-Specific
2*23	Partition-Specific
2*24	Partition-Specific
3*00	System-Wide
3*01	System-Wide
3*12	System-Wide
3*13	System-Wide
3*14	System-Wide
3*16	System-Wide
3*17	System-Wide
3*18	System-Wide
3*19	System-Wide
3*20	System-Wide
3*21	System-Wide
3*30	System-Wide
3*31	System-Wide
3*50	System-Wide
3*55	System-Wide
3*56	System-Wide
3*57	Partition-Specific
3*59	Partition-Specific
3*60	Partition-Specific
3*61	System-Wide
3*82	System-Wide
3*85	System-Wide

# VISTA-32FB Programming Form

Some fields are programmed for each partition (shown as shaded fields). If you are programming a multiple-partition system, see the *Partition-Specific Fields* section for programming these fields. Standard default (\*97) values are shown in brackets [ ]; otherwise, default = 0.

**\*00** INSTALLER CODE

Enter 4 digits, 0-9 [5140]

**\*08** TEMPORAL SIREN PULSE - **Not Used at this time.**

**\*09** ENTRY DELAY #1 [02]

00, 02-15 times 15 seconds  
Maximum "03" for Commercial Burglary installations.

**\*10** EXIT DELAY #1 [03]

00, 03-15 times 15 seconds  
Maximum "04" for Commercial Burglary installations.

**\*11** ENTRY DELAY #2 [06]

00, 02-15 times 15 seconds (must be longer than Entry Delay #1). Maximum "03" for Commercial Burglary installations.

**\*12** EXIT DELAY #2 [08]

00, 03-15 times 15 seconds (must be longer than Exit Delay #1). Maximum "04" for Commercial Burglary installations.

**\*13** BELL 1 TIMEOUT [03]

01-15 times 2 minutes. Must be minimum 16 minutes for Commercial Burglary installations. Must be minimum 6 minutes for Commercial Fire installations.

**\*15** KEYSWITCH ASSIGNMENT [0]

Enter partition in which keyswitch used, 1-2; 9=silences Notification Appliance Circuit if fire present; 0=disable

**\*16** BELL 1 CONFIRMATION OF ARMING DING [0]

1=enable; 0=disable.  
**NOTE:** If using a keyfob, when the button is pressed, either for arming or disarming, the bell will ding indicating that the button is working.  
Must be "1" for Commercial Burglary installations.

**\*17** AC LOSS KEYPAD SOUNDING [1]

1=enable; 0=disable  
Must be "1" for Commercial Fire installations.

**\*19** RANDOMIZE AC LOSS REPORT [2]

0= within 2 minutes; 1=10-40 min; 2=1-3 hours; 3=6-12 hours without Type 13, 1-3 hours with Type 13.

**\*20** VIP MODULE PHONE CODE - **Not used.**

Enter 01 - 09 for the first digit; enter [00], [11]  
11 for "\*" or 12 for "#" for the second digit.  
Must be set to "00" for Commercial Burglary and Commercial Fire installations.

**\*22** KEYPAD PANIC ENABLES [001]

1=enable; 0=disable 995 996 999  
**NOTE:** Use for burglary panic types only. Do not use in partition 1 in Fire systems.

**\*23** MULTIPLE ALARMS [1]

1=enable; 0=disable  
Must be "1" for Commercial Burglary installations

**\*24** IGNORE EXPANSION ZONE TAMPER [0]

1=Ignore; 0=Enable tamper for RF and V-Plex.  
Must be "0" for Commercial Burglary and Commercial Fire installations if using these devices.

**\*25** BURG. TRIGGER FOR RESPONSE TYPE 8 [1]

1=enable; 0=disable

**\*26** INTELLIGENT TEST REPORTING [0]

1=enable (no report sent if any other report was recently sent); 0=disable (send report at programmed interval, field \*27)  
Must be "0" for Commercial Burglary and Commercial Fire installations.

**\*27** TEST REPORT INTERVAL [024]

Enter interval in hours, 001-999; 000=no report;  
Max. 024 for Commercial Burglary and Commercial Fire installations.

**\*28** POWER UP IN PREVIOUS STATE [1]

1=enable; 0=disable  
Must be "1" for Commercial Burglary and Commercial Fire installations.

**\*29** QUICK ARM [1]

1=enable; 0=disable

**\*30** MAIN DIALER TOUCHTONE OR ROTARY [1]

1=TouchTone; 0=rotary

**\*31** PABX ACCESS CODE

00-09; B-F (11-15)

**\*32** PRIM. SUBS. ACCT #

Enter 00-09; B-F (11-15) [15 15 15 15]

**\*33** PRIMARY PHONE NUMBER

Enter 0-9 for each digit. Enter #11 for \*, #12 for #, #13 for 2-second pause

**\*34** SECONDARY PHONE NUMBER

Enter 0-9 for each digit. Enter #11 for \*, #12 for #, #13 for 2-second pause



**\*35** DOWNLOAD PHONE NO. [0]

Enter 0-9 for each digit. Enter #11 for \*, #12 for #, #13 for 2-second pause

**\*36** DOWNLOAD ID NO. [0]

Enter 00-09; A-F (10-15) [15 15 15 15 15 15 15 15]

**\*37** DOWNLOAD COMMAND ENABLES [0]

Dir ShtdwnSys ShtdwnNot UsedRmt BypRmt DisarmRmt ArmUpId PgmDwnId Pgm  
See field 1\*53 for Callback disable option; [1=enable];  
0=disable. For Commercial Burglary and Commercial Fire  
installations, all entries must be "0."

**\*38** PREVENT ZONE XXX BYPASS [000]

001-032; 000 if all zones can be bypassed

**\*39** ENABLE OPEN/CLOSE REPORT FOR [1]

INSTALLER CODE 1=enable; 0=disable

**\*40** OPEN/CLOSE REPORT FOR KEYSWITCH [0]

1=enable; 0=disable

**\*41** NORMALLY CLOSED or EOLR (Zones 3-8) [0]

1=N.C.loops; 0=EOLR supervision.  
Must be "0" for Commercial Burglary and Commercial Fire  
installations.

**\*42** DIAL TONE PAUSE [0]

0=5 seconds; 1=11 seconds; 2=30 seconds.  
Must be "0" Commercial Burglary and Commercial Fire  
installations.

**\*43** DIAL TONE DETECTION [1]

1=wait for true dial tone; 0=pause, then dial

**\*44** RING DETECTION COUNT [00]

01-14; 15=answering machine; 00=no detection.  
Must be "00" for Commercial Burglary and Commercial Fire  
installations.

**\*45** PRIMARY FORMAT [1]

0=Low Speed; 1=Contact ID; 2=ADEMCO High Speed;  
3= ADEMCO Express

**\*46** LOW SPEED FORMAT (Primary) [0]

0= ADEMCO Low Speed; 1=Sescoa/Radionics

**\*47** SECONDARY FORMAT [1]

0=Low Speed; 1=Contact ID; 2= ADEMCO High Speed;  
3= ADEMCO Express

**\*48** LOW SPEED FORMAT (Sec.) [0]

0= ADEMCO Low Speed; 1=Sescoa/Radionics

**\*49** CHECKSUM VERIFICATION [0] [0]

1=enable; 0=disable Prim Sec

**\*50** SESCOA/RADIONICS SELECT [0]

1=Sescoa; 0=Radionics

**\*51** DUAL REPORTING [0]

1=yes; 0=no If used with Split Reporting "1" option (1\*34),  
alarms and alarm restores go to both primary and secondary  
numbers, while all other reports go to secondary only. If used  
with Split Reporting "2" option, alarms and alarm restores go  
to both, open/close and test messages go to secondary only,  
while all other reports go to primary. If used with Split  
Reporting "3" option, fire alarms and fire restores signals go to  
both, all other reports go to secondary only.

**\*52** STANDARD/EXPANDED REPORT FOR PRIMARY [0 0 0 0 0 0]

Alarm Rstr Byp Trbl O/C LoBat

0=standard; 1=expanded;  
**NOTE:** Expanded overrides 4+2 format.

**\*53** STANDARD/EXPANDED REPORT FOR SECONDARY [0 0 0 0 0 0]

Alarm Rstr Byp Trbl O/C LoBat

0=standard; 1=expanded;  
**NOTE:** Expanded overrides 4+2 format.

**\*56** DYNAMIC SIGNALING DELAY [03]

Select the delay time (00-15) times 15 seconds before sending  
to second destination.  
**NOTE:** When Communicator is used as a backup to the dialer,  
the Dynamic Signaling Delay (\*56) should be set to a  
minimum of 1 minute.

**\*57** DYNAMIC SIGNALING PRIORITY [0]

0=Primary dialer; 1=Communicator, as first reporting  
destination.

**\*58** COMM CENTRAL STATION #1 CATEGORY ENABLE [0 0 0 0 0 0]

Alarm Trbl Byp O/C Syst Test

0=disable, 1=enable for reports for primary subs ID of  
communicator.

**\*59** COMM CENTRAL STATION #2 CATEGORY ENABLE [0 0 0 0 0 0]

Alarm Trbl Byp O/C Syst Test

0=disable, 1=enable for reports for secondary subs ID of  
communicator.

**\*64 through \*76 (PAGER OPTIONS) - Not Used. Must Be Set To "0".**

**\*77** AUTO RESTORE [1]

0=disable  
1=restore troubles only,  
2 = restore troubles and fire alarms  
**NOTES:**  
Must be set to "1" for Commercial Fire installations.

Option 2 is ONLY for use if the system is used as a slave  
communicator only, and NOT if the system is used for Fire  
Alarm Detection.

**\*79** ZONE TYPE RESTORE ENABLES FOR ZONE TYPES [0]

1-8

1 2 3 4 5 6 7 8

1=enable; [0=disable]

**\*80** FOR TYPES 9, 10 and 14     
 9 10 14

1=enable; [0=disable]  
 Restores must be set to "1" for Commercial Fire installations.

**\*83** FIRST TEST REPORT TIME

[Day 00; hour 12; min 00]. Days 01-07, Hours 00-23, Min 00-59; 00 in all boxes = instant (Day 01= Monday)

**\*84** SWINGER SUPPRESSION [00]

01-15 alarms  
 Must be "00" (disabled) for Commercial Burglary

**\*85** ENABLE DIALER REPORTS FOR PANICS & DURESS

1=enable; [0=disable]      
 995 996 999 Duress

**\*87** ENTRY WARNING [1]

1=continuous; 0=3 beeps

**\*88** BURGL. ALARM COMM. DELAY [0]

1=30 seconds; 0=no delay  
 Must be "0" for Commercial Burglary installations.

**\*89** ALARM RESTORE REPORT TIMING [0]

0 = Restore is sent when zone is restored or at disarming, whichever occurs first.  
 1 = Restore is sent at disarming whether zone is restored or not, or at bell timeout, but only if restored.  
 2 = Restore is sent at disarming, whether the zone is restored or not.  
 This field applies only to Burglary zone types. It does not apply to Fire or Panic zone types.  
 Must be "2" for Commercial Burglary installations.

**\*90** SEC. SUBS. ACCT #

Enter 00-09; B-F (11-15) [15 15 15 15]

**2nd Page Programming Fields (press \*94)**

**1\*12** PROGRAM NOTIFICATION SIGNAL [1]

1=yes; 0=no  
 Must be "1" for Commercial Fire installations.

**1\*13** SYSTEM SENSOR REVERSING RELAY – **Not Used.**

[0]   
 0=use neither Zone 1 or Zone 2 inputs; 1=use Zone 1 input; 2=use Zone 2 input; 3=use Zone 1 and Zone 2 inputs.  
**Must Be Set To "0".**

**1\*17** LOBBY PARTITION [0]

Enter the "common lobby" partition (1-2)

**1\*18** AFFECTS LOBBY [0]

Enter 1 if this partition affects the common lobby;  
 Enter 0 if it does not.  
 Must be "0" for Commercial Burglary and Commercial Fire installations.

**1\*19** ARMS LOBBY [0]

Enter 1 if arming this partition attempts to arm lobby;  
 Enter 0 if it does not.  
 Must be "0" for Commercial Burglary and Commercial Fire installations.

**1\*20** EXIT ERROR LOGIC ENABLE [0]

0=No; 1=Bypass E/E and Interior zones faulted after exit delay.  
 Must be "0" for Commercial Burglary installations.

**1\*21** EXIT DELAY RESET [0]

0=No; 1=Resets Exit Delay to programmed value after zone is closed and then faulted prior to end of exit delay.  
 Must be "0" for Commercial Burglary installations.

FIELDS 1\*22-1\*25: Allow four sets of two zones each to be linked so that both must fault within a 5-minute period to cause an alarm. Default for these fields = [000], [000].

**1\*22** CROSS-ZONING PAIR ONE

**1\*23** CROSS-ZONING PAIR TWO

**1\*24** CROSS-ZONING PAIR THREE

**1\*25** CROSS-ZONING PAIR FOUR

**1\*26** PANIC BUTTON OR SPEEDKEY

[00, 00, 00, 00]      
 A B C D

Enter speedkey macro # (01-32) to use keys A-C for macro. Otherwise enter 00 to use as panic. For D key, enter macro # 01-32, or 00 to select macro when key is pressed.

**1\*28** RF TX LOW BATTERY SOUND [0]

1=immediate; 0=when disarmed  
 Must be 1 for UL installations.

**1\*29** RF TX LOW BATTERY REPORTING [0]

1=enable; 0=disable  
 Must be 1 for UL installations.

**1\*30** RF RCVR CHECK-IN INTERVAL [02]

02-15 times 2 hours; 00 disables supervision  
 Maximum is 2 (4 hr) for UL installations.

**1\*31** RF XMITTER CHECK-IN INTERVAL [02]

02-15 times 2 hours; 00 disables transmitter supervision  
 Maximum is 2 (4 hr) for UL installations.

**1\*33** TOUCHTONE W/ROTARY BACKUP [0]

1=enable; 0=disable

**1\*34** COMM. SPLIT REPORTING [0]

0=no; 1=alarms and alarm restores primary, others secondary; 2=open/close, test secondary, others primary; 3=fire alarms and fire restores to primary and secondary, all others to secondary. See \*51 for comments if using with dual reporting.  
**NOTE:** Split reporting should not be used with Dynamic Signaling.

**1\*35** ACCESS CONTROL DIALER ENABLES - **Not Used.**

[0 0 0 0 0 0]        
 Trace Trbl Byp Not Used Syst Alm

1=enable; 0=disable  
**Must Be Set To "0".**

**1\*42** CALL WAITING DEFEAT [0]

1=enable; 0=disable

**1\*43 PERM. KEYPAD BACKLIGHT** [0]   
 1=enable; 0=disable, when disabled, display lights when any key is pressed, and turns off after period of keypad inactivity.

**1\*44 WIRELESS KEYPAD TAMPER DETECTION – Not Used. Must be set to “0”.** [0]   
 1=enable; 0=disable.

**1\*45 EXIT DELAY SOUNDING** [0]   
 1=enable; 0=disable. Produces quick beeping during exit delay if enabled.  
**NOTES:**  
 Must be set to “0” in partition 1 for fire systems.  
 See page 31, “SOUND OPTION”, prompt for disabling the entry/exit beeps on individual keypads.

**1\*47 CHIME ON BELL 1** [0]   
 1=enable; 0=disable

**1\*48 WIRELESS KEYPAD ASSIGNMENT - Not Used. Must be set to “0”.** [0]   
 0=disable; enter partition in which RF keypad used, 1-2.

**1\*49 SUPPRESS TX SUPERVISION SOUND** [1]   
 1=disable; 0=enable.  
 Must be “0” for Commercial Burglary and Fire installs.

**1\*52 SEND CANCEL IF CODE + OFF** [0]   
 1=no restriction; 0=within bell timeout period only.

**1\*53 DOWNLOAD CALLBACK** [0]   
 1=callback not required; 0=callback required.  
 Must be “0” for Commercial Burglary and Commercial Fire installations.

**1\*55 EUROPEAN DATE FORMAT** [0]   
 0=disable (mm/dd/yy); 1=enable (dd/mm/yy).

**1\*56 AC 50/60 Hz CLOCK SPEED** [0]   
 1=50 Hz; 0=60 Hz.

**1\*57 5800 RF BUTTON GLOBAL ARM** [0]   
 1=enable; 0=disable  
 Must be “0” for Commercial Burglary and Commercial Fire installations.

**1\*58 5800 RF BUTTON FORCE ARM** [0]   
 1=enable. If a zone is faulted after pressing button, console will beep once. User should press button again within 4 sec. to force bypass those zones. 0=disable.  
 Must be “0” for Commercial Burglary and Commercial Fire installations.

**1\*60 ZONE 5 AUDIO ALARM VERIFICATION** [0]   
 Enter 1 if 2-way audio (AAV) is being used; Enter 0 if it is not.  
 Must be “0” for Commercial Burglary and Commercial Fire installations.

**1\*70 EVENT LOG TYPES**  
 [1 0 0 0 1 0]        
 Alarm Chk Byp O/C Syst Test  
 1=enable; 0=disable

**1\*71 12/24 HOUR TIME STAMP FORMAT** [0]   
 0=12 hour; 1=24 hour

**1\*72 EVENT LOG PRINTER ON-LINE - Not Used. Must Be Set To “0”.** [0]   
 0=disable; 1=enable

**1\*73 PRINTER BAUD RATE - Not Used. Must Be Set To “0”..** [0]   
 1=300; 0=1200

**1\*74 RELAY TIMEOUT XXX MINUTES** [000]   
 Enter relay timeout, **0-127** in multiples of 2 minutes, desired for #80 Menu Mode time-driven event relay command numbers “04/09” and #93 Menu Mode Output Programming output command “56.”

**1\*75 RELAY TIMEOUT YYY SECONDS** [000]   
 Enter relay timeout, **0-127** seconds, desired for #80 Menu Mode time driven event relay command numbers “05/10” and #93 Menu Mode Output Programming command “57.”

**1\*76 CONTROL RELAY** [00]   
 Relay will be pulsed for 2 seconds whenever code + [0] is pressed. Enter relay number 01-96; 00=none.  
 Must be “00” for Commercial Burglary and Commercial Fire installations.

**1\*77 LOG FIRST MAINTENANCE SIGNAL** [0]   
 0=No Log; 1=Log first maintenance signal from each smoke detector.

**3rd Page Programming Fields (press \*94)**

**2\*00 NUMBER OF PARTITIONS** [1]   
 Enter 1-2

**2\*01 DAYLIGHT SAVING TIME** [03, 11]    
 START/END MONTH Start End  
 00-12; if no daylight saving time, enter 00,00

**2\*02 DAYLIGHT SAVING TIME** [2, 1]    
 START/END WEEKEND Start | End  
 Enter 1-7. 1=first; 2=second; 3=third; 4=fourth; 5=last; 6=next to last; 7=3rd from last [1,5]

**2\*05 AUTO-ARM DELAY** [15]   
 Enter the time between the end of the arming window and the start of auto-arming warning period, in values of 1-14 times 4 minutes 00=instant; [15=no auto arm at all]. When this delay expires, the Auto-Arm Warning Period begins.

**2\*06 AUTO-ARM WARNING PERIOD** [15]   
 This is the time during which the user is warned to exit the premises prior to the auto-arming of the system (beeps every 15 seconds; “ALERT” displayed). Enter 01-15 minutes.  
 00=instant at end of arming delay.

**2\*07 AUTO-DISARM DELAY** [15]   
 This is the time between the end of the disarming window and the start of auto-disarming. Enter 01-14 times 4 minutes; 00=instant at end of window; 15=no auto-disarm.

**2\*08 ENABLE FORCE ARM FOR AUTO-ARM** [0]   
 0=disable; 1=enable

**2\*09 OPEN/CLOSE REPORTS BY EXCEPTION** [0]   
 1=enable; 0=disable  
 If enabled, only openings and closings occurring outside the scheduled opening/closing windows will trigger dialer reports. Opening reports will also be suppressed during the closing window, in order to prevent false reports when the user arms the system and then reenters the premises to retrieve a forgotten item.

**2\*10 ALLOW DISARMING ONLY DURING** [0]   
**ARMING/DISARMING WINDOWS**  
 0=disable; 1=enable  
 See system-wide field 2\*11 if enabling field 2\*10. This feature adds high security to the installation.

**2\*11 ALLOW DISARM OUTSIDE WINDOW** [0]   
**IF ALARM OCCURS**  
 Used only if field 2\*10 is set to "1." If this field is enabled ("1") the system can be disarmed outside the disarm window if an alarm has occurred. If "0," disarming can only be done during the disarm window. If field 2\*10 is set to "0" for a partition, this field has no effect for that partition.

**2\*18 ENABLE GOTO FOR THIS PARTITION** [0]   
 1=Allow log-on from other partitions; 0=disable  
**NOTE:** Must be disabled for partition 1 in Commercial Fire installations.

**2\*19 USE PARTITION DESCRIPTORS** [0]   
 0=disable; 1=enable

**2\*20 ENABLE J2 TRIGGERS FOR PARTITION** [1]   
 0=disable; 1=enable for displayed partition

**2\*21 ENABLE SUPERVISION PULSES FOR COMM -**  
**Not Used. Must Be Set To "00000".**

00000]       
 F B P S T

Used only for supervised connection to Communicators (e.g. 7845i-ent).  
 Enter 0 to disable or 1 to enable the listed outputs.  
 F= Fire; B= Burglary/Audible Panic; P= Silent Panic/Duress;  
 S= Supervisory; T= Trouble.

**2\*22 DISPLAY FIRE ALARMS OF** [0]   
**OTHER PARTITIONS**  
 0=disable; 1=enable.  
 Must be set to "0" (disable) for partition 1.

**2\*23 DISPLAY BURG, PANIC and CO** [0]   
**ALARMS OF OTHER PARTITIONS**  
 0=disable; 1=enable.  
 Must be set to "0" (disable) for partition 1.

**2\*24 DISPLAY TROUBLES OF OTHER** [0]   
**PARTITIONS**  
 0=disable; 1=enable  
 Must be set to "0" (disable) for partition 1.

**4th Page Programming Fields (press \*94)**

**3\*00 DISPLAY TRBL INSTEAD OF CHECK** [0]   
 0=CHECK; 1=TRBL

**3\*01 EVENTS DISPLAY LOCK** [1]   
 0=scroll all alarms; 1=lock display of first fire alarm  
**NOTE:** Must be set to "1" for Commercial Fire Installations.

**3\*12 ZN TYPE 18 DELAY USE** [1]   
 0=disable; 1=enable  
**NOTE:** Must be set to "0" for Commercial Fire Installations.

**3\*13 FIRE SUPERVISORY RESPONSE TO OPEN/SHORT**  
 (Applies to Zone Type 18) [0]   
 0=Trouble on open/Supervisory on short  
 1=Supervisory on open/Supervisory on short  
**NOTE:** Must be set to "0" for Commercial Fire Installations.

**3\*14 WATERFLOW SILENCE OPTION** [0]   
 0=silence on code = off; 1=silence when waterflow restores  
**NOTE:** Must be set to "0" for Commercial Fire Installations.

**3\*16 DELAY FOR ZONE TYPE 17 & 18** [00]    
 Enter 00-15 times 2 seconds  
 Delay cannot exceed 90 seconds in UL installations.  
**NOTE:** Must be "00" for Commercial Fire installations.

**3\*17 ALTERNATE FUNCTION (TAMPER)** [0]   
**FOR ZONE 6** 0=disable; 1=enable

**3\*18 EXTENDED DELAY FOR TYPES 17 & 18** [0]   
 0=disable; 1=enable  
**NOTE:** Must be "0" for Commercial Fire installations.

**3\*19 AUX INPUT ALTERNATE FUNC ENABLE** [0]   
 0=pins 5 and 9 function as per filed 3\*20;  
 1=pins 5 and 9 function as RXD and DTR  
**NOTE:** Must be set to "0" for Commercial Fire Installations.

**3\*20 TRIGGER OUTPUT SELECTION** [0]   
 0=Communicator full connection & remote console sounder;  
 1=Communicator limited connection and keyswitch LEDs  
 2=Communicator fire only connection and 5140LED  
**NOTE:** Must be set to "0" for Commercial Fire Installations.

**3\*21 MAX NUMBER OF DIALER ATTEMPTS** [8]   
 1-8 (3, 4 or 5 for NFPA72 compliant systems when a secondary phone number is programmed (field \*34))

**3\*30 DIALER SELECTION** [1,0]    
 0=disable; 1=enable Main Backup  
**NOTE:** If 3\*30 is disabled (0, 0), the panel does not report at all via Communicator.

**3\*31 BACKUP DIALER TOUCHTONE/ROTARY** [0]   
 1=TouchTone; 0=Rotary

**3\*50 ZONE TYPE RESTORE ENABLES**     
**FOR ZONE TYPES 16-18**  
 1=enable; [0]=disable]  
 Restores must be set to "1" for Commercial Fire installations.

**3\*55 RESET ON SECOND OFF FOR BELL 1** [0]   
 0=disable; 1=enable  
**NOTE:** Must be set to "0" for Commercial Fire Installations.

**3\*56 RESET ON SECOND OFF FOR BELL 2** [0]   
 0=disable; 1=enable  
**NOTE:** Must be set to "0" for Commercial Fire Installations.

**3\*57** BELL 2 & AUX RELAY CONFIRM [0,0]

ARMING DING Bell 2 Aux

0=disable; 1=enable.

**NOTE:** If using a keyfob, when the button is pressed, either for arming or disarming, the bell will ding indicating that the button is working.

Must be "1" for Commercial Burglary installations.

**3\*59** ENABLE BELL 2 & AUX RELAY [0,0]

CHIME ANNUNCIATION Bell 2 Aux

0=disable; 1=enable

**NOTE:** Must be "0, 0" if Bell 2 or Aux. Relay is used for fire application.

**3\*60** BELL 2 & AUX RELAY TIMEOUT

Bell 2 Aux

Enter 00-15 times 2 minutes; 00=no timeout [00,00]

Minimum 16 minutes for Commercial Burglary installations.

**3\*61** AUX RELAY FUNCTION [1]

0=trouble/supervisory; 1=alarm, silenced by code = off;  
2=smoke detector reset; 3=battery save; 4=alarm, silenced by code = # = 67

**NOTE:** See Data Field Descriptions in the Installation and Setup Guide for specific information.

**3\*82** ENABLE BURG FEATURES ON PART 1 [1]

0=disable (disables AWAY, STAY, MAX, TEST, INSTANT and CHIME); 1=enable;

**NOTE:** Must be "0" for Commercial Fire installations.

**3\*85** ENABLE FIRE & SYSTEM ZONE BYPASS [1]

0=disable; 1=only installer can bypass;

2=only installer and master can bypass.

Applies to fire zone types 9, 16, 17, and 18 and system zones 970-977 and to partition 1 only.

# Partition-Specific Fields

(Duplicate this page for each partition in the installation.)

To program these fields,

1. Press \*91 to select a partition.
2. Enter a partition-specific field number (ex. \*09).
3. Make the required entry.
4. Repeat steps 1-3 for each partition in the system.

## PARTITION # \_\_\_\_\_ PROGRAM FIELDS

### 1st Page Fields

- \*09** ENTRY DELAY #1 [02]    
 00, 02-15 times 15 seconds  
 Maximum "03" for Commercial Burglary installations.
- \*10** EXIT DELAY #1 [03]    
 00, 03-15 times 15 seconds  
 Maximum "04" for Commercial Burglary installations.
- \*11** ENTRY DELAY #2 [06]    
 00, 02-15 times 15 seconds (must be longer than Entry Delay #1). Maximum "03" for Commercial Burglary installations.
- \*12** EXIT DELAY #2 [08]    
 00, 03-15 times 15 seconds (must be longer than Exit Delay #1). Maximum "04" for Commercial Burglary installations.
- \*13** BELL 1 TIMEOUT [03]    
 01-15 times 2 minutes. Must be set to a minimum 16 minutes for Commercial Burglary installations. Must be minimum 6 minutes for Commercial Fire installations.
- \*16** BELL 1 CONFIRMATION OF ARMING DING [0]   
 1=enable; 0=disable.  
**NOTE:** If using a keyfob, when the button is pressed, either for arming or disarming, the bell will ding indicating that the button is working.  
 Must be "1" for Commercial Burglary installations.
- \*22** KEYPAD PANIC ENABLES [001]     
 1=enable; 0=disable 995 996 999  
**NOTE:** Use for burglary panic types only. Do not use in partition 1 in Fire systems.
- \*23** MULTIPLE ALARMS [1]   
 1=enable; 0=disable.  
 Must be 1 for Commercial Burglary installations.
- \*29** QUICK ARM [1]   
 1=enable; 0=disable
- \*32** PRIM. SUBS. ACCT #      
 Enter 00-09; B-F (11-15) [15 15 15 15]
- \*38** PREVENT ZONE XXX BYPASS [000]     
 001-032; 000 if all zones can be bypassed
- \*39** ENABLE OPEN/CLOSE REPORT [1]   
 FOR INSTALLER CODE  
 1=enable; 0=disable
- \*84** SWINGER SUPPRESSION [00]    
 01-15 alarms;  
 Must be "00" (disabled) for Commercial Burglary installations.
- \*85** ENABLE DIALER REPORTS FOR PANICS & DURESS  
 1=enable; [0=disable]      
 995 996 999 Duress
- \*87** ENTRY WARNING [1]   
 1=continuous; 0=3 beeps
- \*88** BURG. ALARM COMM. DELAY [0]   
 1=30 seconds; 0=no delay.  
 Must be "0" for Commercial Burglary installations.
- \*90** SEC. SUBS. ACCT #      
 Enter 00-09; B-F (11-15) [15 15 15 15]

### 2nd Page Fields

- 1\*18** AFFECTS LOBBY [0]   
 Enter 1 if this partition affects the common lobby; enter 0 if it does not.  
 Must be set to "0" for Commercial Burglary and Commercial Fire installations.
- 1\*19** ARMS LOBBY [0]   
 Enter 1 if arming this partition attempts to arm lobby; enter 0 if it does not  
 Must be "0" for Commercial Burglary and Commercial Fire installations.
- 1\*26** PANIC BUTTON OR SPEEDKEY  
 [00, 00, 00, 00]      
 A B C D  
 Enter speedkey macro # (01-32) to use keys A-C for macro. Otherwise enter 00 to use as panic. For D key, enter macro # 01-32 or 00 to select macro when key is pressed.
- 1\*43** PERM. KEYPAD BACKLIGHT [0]   
 1=enable; 0=disable  
 When disabled, display lights when any key is pressed, and turns off after period of keypad inactivity.

**1\*45** EXIT DELAY SOUNDING [0]

1=enable; 0=disable Produces quick beeping during exit delay if enabled.

**NOTES:**

Must be set to "0" in partition 1 for fire systems. See page 31, "SOUND OPTION", prompt for disabling the entry/exit beeps on individual

**1\*47** CHIME ON BELL 1 [0]

1=enable; 0=disable

**1\*52** SEND CANCEL IF CODE + OFF [0]

1=no restriction; 0=within Bell Timeout period only.

**1\*76** CONTROL RELAY FOR PART. [00]

Relay will be pulsed for 2 seconds whenever code + [0] is pressed. Enter 00-96; 00=none. Must be "00" for Commercial Burglary and Commercial Fire installations.

**3rd Page Fields**

**2\*05** AUTO-ARM DELAY [15]

Enter the time between the end of the arming window and the start of auto-arming warning period, in values of 1-14 times 4 minutes 00=instant; [15=no auto arm at all]. When this delay expires, the Auto-Arm Warning Period begins.

**2\*06** AUTO-ARM WARNING PERIOD [15]

This is the time during which the user is warned to exit the premises prior to the auto-arming of the system (beeps every 15 seconds; "ALERT" displayed). Enter 01-15 minutes. 00=instant at end of arming delay.

**2\*07** AUTO-DISARM DELAY [15]

This is the time between the end of the disarming window and the start of auto-disarming. Enter 01-14 times 4 minutes; 00=instant at end of window; 15=no auto-disarm

**2\*08** ENABLE FORCE ARM FOR AUTO-ARM [0]

0=disable; 1=enable

**2\*09** OPEN/CLOSE REPORTS BY EXCEPTION [0]

1=enable; 0=disable. If enabled only openings and closings occurring outside the scheduled opening/closing windows trigger dialer reports. Opening reports will also be suppressed during the closing window, in order to prevent false reports when the user arms the system and then re-enters the premises to retrieve a forgotten item.

**2\*10** ALLOW DISARMING ONLY DURING [0]

**ARMING/DISARMING WINDOWS**

See system-wide field 2\*11 if enabling field 2\*10. This feature adds high security to the installation. 0=disable; 1=enable

**2\*18** ENABLE GOTO FOR THIS PARTITION [0]

1=Allow log-on from other partitions; 0=disable

**NOTE:** Must be disabled (0) for partition 1 in Commercial Fire installations.

**2\*20** ENABLE J2 TRIGGERS BY PARTITION [1]

0=disable for displayed partition; 1=enable for displayed partition

**2\*22** DISPLAY FIRE ALARMS OF [0]

**OTHER PARTITIONS**

0=disable; 1=enable

Must be set to "0" (disable) for partition 1.

**2\*23** DISPLAY BURG, PANIC AND CO ALARMS [0]

**OF OTHER PARTITIONS**

0=disable; 1=enable

Must be set to "0" (disable) for partition 1.

**2\*24** DISPLAY TROUBLES OF OTHER [0]

**PARTITIONS**

0=disable; 1=enable

Must be set to "0" (disable) for partition 1.

**4th Page Fields**

**3\*57** BELL 2 & AUX RELAY CONFIRM [0,0]

**ARMING DING**

0=disable; 1=enable.

**NOTE:** If using a keyfob, when the button is pressed, either for arming or disarming, the bell will ding indicating that the button is working.

Must be set to "1" for Commercial Burglary installations.

**3\*59** ENABLE BELL 2 & AUX RELAY [0, 0]

**CHIME ANNUNCIATION**

0=disable; 1=enable

**NOTE:** Must be "0, 0" if Bell 2 or Aux. Relay is used for fire application.

**3\*60** BELL 2 & AUX RELAY TIMEOUT

Enter 00-15 times 2 minutes; 00=no timeout [00, 00]

Minimum 16 minutes for Commercial Burglary installations.

**SUMMARY OF PROGRAMMING COMMANDS**

- **To enter program mode**, enter installer code + [8] + [0] + [0]
- **To set standard defaults**, press \*97
- **To change to next page of program fields**, press \*94
- **To return to previous set of fields**, press \*99
- **To erase account and phone number field entries**, press [\*] + field number + [\*]
- **To assign zone descriptors**, press #93 + follow menu prompts
- **To add custom words**, press #93 + follow menu prompts
- **To enter Installer's Message**, press #93 + follow menu prompts
- **To exit program mode**, enter \*99 OR \*98: \*99 allows re-access to programming mode by installer code. \*98 prevents re-access to programming mode by installer code.

## Programming With #93 Menu Mode

**NOTE: The following field should be preset before beginning: 2\*00 Number of Partitions. In addition, receivers should be programmed via Device programming.**

After programming all system related programming fields in the usual way, press #93 while still in programming mode to display the first choice of the menu driven programming functions. Press 0 (NO) or 1 (YES) in response to the displayed menu selection. Pressing 0 will display the next choice in sequence.

### #93 MENU MODE KEY COMMANDS

The following is a list of commands used while in the menu mode.

#93	Enters Menu mode
[*]	Serves as ENTER key. Press to have keypad accept entry.
[#]	Backs up to previous screen.
0	Press to answer NO
1	Press to answer YES
001-009	All data entries are either 2-digit or 3-digit entries.
000	Exits menu mode, back into field programming mode, when entered at the first question for each category.

Menu selections are as follows:

PROMPT	EXPLANATION
<div style="border: 1px solid black; padding: 5px;">                     ZONE PROG?                      1 = YES   0 = NO   0                 </div>	For programming the following: <ul style="list-style-type: none"> <li>• Zone Number</li> <li>• Zone Response Type</li> <li>• Partition Number for Zone</li> <li>• Dialer report code for zone</li> <li>• Input Device Type for zone (whether RF, polling loop, etc.)</li> <li>• Enrolling serial numbers of 5800 Series transmitters &amp; serial polling loop devices into the system.</li> <li>• Zone Attributes (e.g., Arm w/Fault, Silent, etc.)</li> </ul>
<div style="border: 1px solid black; padding: 5px;">                     EXPERT MODE?                      1 = YES   0 = NO   0                 </div>	Same as Zone Programming except: <ul style="list-style-type: none"> <li>• Done with a minimum number of keystrokes.</li> <li>• Can program wireless keys using pre-defined templates.</li> </ul> <p><b>NOTE:</b> Be aware some of the zone attributes cannot be programmed in the Expert Mode. These can only be done in Zone Programming.</p>
<div style="border: 1px solid black; padding: 5px;">                     REPORT CODE PROG?                      1 = YES   0 = NO   0                 </div>	For programming the following: <ul style="list-style-type: none"> <li>• Alarm report codes for zones</li> <li>• Restore &amp; supervisory codes</li> <li>• All other system report codes</li> </ul>
<div style="border: 1px solid black; padding: 5px;">                     ALPHA PROG?                      1 = YES   0 = NO   0                 </div>	For entering alpha descriptors for the following: <ul style="list-style-type: none"> <li>• Zone Descriptors</li> <li>• Default Screen</li> <li>• Custom Words</li> <li>• Partition Descriptors</li> </ul>
<div style="border: 1px solid black; padding: 5px;">                     DEVICE PROG?                      1 = YES   0 = NO   0                 </div>	For defining the following device characteristics for addressable devices, including keypads, RF receivers (5881ENHC, 5883H), output relay modules (4204/4204CF), and Communicators (7845i-ent). <ul style="list-style-type: none"> <li>• Device Address</li> <li>• Device Type</li> <li>• Keypad Options (incl. partition assignment)</li> <li>• RF House ID</li> <li>• Communicator Options (incl. programming communicators)</li> </ul>
<div style="border: 1px solid black; padding: 5px;">                     OUTPUT PGM?                      1 = YES   0 = NO   0                 </div>	For defining output relay functions.
<div style="border: 1px solid black; padding: 5px;">                     RLY VOICE DESCR?                      1 = YES   0 = NO   0                 </div>	<p><b>Not Used. Must be set to "0".</b></p>



PROMPT	EXPLANATION
CUSTOM INDEX? 1 = YES 0 = NO 0	Not Used. Must be set to "0".
ACCESS POINT PGM 1 = YES 0 = NO 0	Not Used. Must be set to "0".
ACCESS GRP PGM 1 = YES 0 = NO 0	Not Used. Must be set to "0".
EVENT/ACTION PGM 1 = YES 0 = NO 0	Not Used. Must be set to "0".

## Zone Programming



- All Fire zones should be assigned to partition 1.
- If using 5800 Series transmitters, do not the install batteries until you are ready to enroll them. After enrolling the transmitter, the battery need not be removed. This is to prevent enrolling the wrong serial number.

PROMPT	EXPLANATION
ZONE PROG? 1 = YES 0 = NO 0	Press 1 to enter ZONE PROGRAMMING mode. The following screens appear. Press [*] to display the next screen. Press # to display a previous screen.
SET TO CONFIRM? 1 = YES 0 = NO 0	This prompt appears once upon entering Zone Programming Mode. If "Yes," Confirmation prompts will be displayed after the device's Serial and Loop numbers have been entered later.
ENTER ZONE NO. 000 = QUIT 010 Zone 010 entered ↑	Enter the 3-digit zone number to be programmed, as follows: Protection Zones = 001–032 Relay Zones = 601–632 (use for relays on 4204CF modules only). ECP Device Supervisory Zones = 800–830 System Supervisory Zones = 988, 990, 992 (duress), 997 Keypad Panic Zones = 995 (Do not use in Fire Alarm applications), 996, 999 Press [*] to continue.
010 ZT P RC In L 00 1 10 00 1	This display appears, showing a summary of the zone's current programming. <b>ZT</b> = Zone Type, <b>P</b> = Partition, <b>RC</b> = Report Code, <b>In</b> = the input type of device, and <b>L</b> = the device's loop number to which the sensor is connected. Some devices can support more than one zone by means of individual loops (for example 5817CB, etc.). If the zone is not programmed, the display appears as shown here. If you are checking a zone's programming, and it is programmed satisfactorily, press [#] to back up one step and enter another zone number, if desired. Press [*] to continue.

PROMPT	EXPLANATION																										
<div style="border: 1px solid black; padding: 2px; margin-bottom: 5px;">010 ZONE TYPE PERIMETER 03</div> <p>Zone number 010 and Zone Type 03 entry shown † These are special zone types used with 5800 Series Wireless Pushbutton Units that result in arming the system in the STAY or AWAY mode, or disarming the system, depending on the selection made.</p>	<p>Each zone must be assigned a zone type, which defines the way in which the system responds to faults in that zone. Refer to the <i>Zone Type Definitions</i> section in the <i>VISTA-32FB Installation and Setup Guide</i> for detailed definitions of each zone type. Enter the zone type desired (or change it, if necessary). Available zone types are listed below.</p> <table border="0" style="width: 100%;"> <tr> <td style="width: 50%;">00 = Assign for Unused Zones</td> <td style="width: 50%;">14 = CO Detector Alarm</td> </tr> <tr> <td>01 = Entry/Exit #1, Burglary</td> <td>16 = Fire With Verification</td> </tr> <tr> <td>02 = Entry/Exit #2, Burglary</td> <td>17 = Waterflow</td> </tr> <tr> <td>03 = Perimeter, Burglary</td> <td>18 = Fire Supervisory</td> </tr> <tr> <td>04 = Interior Follower, Burglary</td> <td>19 = 24-Hour Trouble</td> </tr> <tr> <td>05 = Trouble Day/Alarm Night</td> <td>20 = Arm-STAY†</td> </tr> <tr> <td>06 = 24 Hr. Silent Alarm</td> <td>21 = Arm AWAY†</td> </tr> <tr> <td>07 = 24 Hr. Audible Alarm</td> <td>22 = Disarm†</td> </tr> <tr> <td>08 = 24 Hr. Auxiliary</td> <td>23 = No Alarm Response (e.g., relay activation)</td> </tr> <tr> <td>09 = Fire Without Verification</td> <td>27 = Access Point – Not Used</td> </tr> <tr> <td>10 = Interior Delay, Burglary</td> <td>28 = MLB Supervision (if VGM installed) – Not Used</td> </tr> <tr> <td>12 = Panel Link Supervision – Not Used</td> <td>29 = Momentary Exit (used with VistaKey module) - Not Used</td> </tr> <tr> <td>13 = Remote P/S</td> <td></td> </tr> </table> <p>Press [*] to continue.</p>	00 = Assign for Unused Zones	14 = CO Detector Alarm	01 = Entry/Exit #1, Burglary	16 = Fire With Verification	02 = Entry/Exit #2, Burglary	17 = Waterflow	03 = Perimeter, Burglary	18 = Fire Supervisory	04 = Interior Follower, Burglary	19 = 24-Hour Trouble	05 = Trouble Day/Alarm Night	20 = Arm-STAY†	06 = 24 Hr. Silent Alarm	21 = Arm AWAY†	07 = 24 Hr. Audible Alarm	22 = Disarm†	08 = 24 Hr. Auxiliary	23 = No Alarm Response (e.g., relay activation)	09 = Fire Without Verification	27 = Access Point – Not Used	10 = Interior Delay, Burglary	28 = MLB Supervision (if VGM installed) – Not Used	12 = Panel Link Supervision – Not Used	29 = Momentary Exit (used with VistaKey module) - Not Used	13 = Remote P/S	
00 = Assign for Unused Zones	14 = CO Detector Alarm																										
01 = Entry/Exit #1, Burglary	16 = Fire With Verification																										
02 = Entry/Exit #2, Burglary	17 = Waterflow																										
03 = Perimeter, Burglary	18 = Fire Supervisory																										
04 = Interior Follower, Burglary	19 = 24-Hour Trouble																										
05 = Trouble Day/Alarm Night	20 = Arm-STAY†																										
06 = 24 Hr. Silent Alarm	21 = Arm AWAY†																										
07 = 24 Hr. Audible Alarm	22 = Disarm†																										
08 = 24 Hr. Auxiliary	23 = No Alarm Response (e.g., relay activation)																										
09 = Fire Without Verification	27 = Access Point – Not Used																										
10 = Interior Delay, Burglary	28 = MLB Supervision (if VGM installed) – Not Used																										
12 = Panel Link Supervision – Not Used	29 = Momentary Exit (used with VistaKey module) - Not Used																										
13 = Remote P/S																											
<div style="border: 1px solid black; padding: 2px;">010 PARTITION 1</div>	<p>Enter the partition number (1–2) you are assigning this zone to. Press [*] to continue.</p>																										
<div style="border: 1px solid black; padding: 2px; margin-bottom: 5px;">010 REPORT CODE 1st 03 2nd 12 3C</div>	<p>Enter the report code. The report code consists of 2 hexadecimal digits, each in turn consisting of 2 numerical digits. For example, for a report code of "3C," enter <b>03</b> for "3" and <b>12</b> for "C." (Refer to the <i>System Communication</i> section in the <i>Installation and Setup Guide</i> for more information about report codes and reporting formats.) Press [*] to continue.</p>																										
<div style="border: 1px solid black; padding: 2px;">010 BELL/RLY SEL 0</div>	<p>Each zone can be assigned to activate either one or both Notification Appliance Circuits and/or the system's auxiliary relay. Enter one of the following assignments: 0=none; 1=bell 1; 2=bell 2; 3=bell 1 &amp; bell 2; 4=aux relay; 5=bell 1 &amp; aux relay; 6=bell 2 &amp; aux relay; 7=bell 1 &amp; bell 2 &amp; aux relay. Press [*] to continue.</p>																										
<div style="border: 1px solid black; padding: 2px; margin-bottom: 5px;">010 INPUT TYPE RF Xmitter 3</div> <p><b>Input types 4 &amp; 5 are valid for certain 5800 Series transmitters only. If using input type 02 with a door/window type transmitter, only loop 1 may be used.</b></p>	<p>Enter the input device type as follows:</p> <table border="0" style="width: 100%;"> <tr><td>00 = not used</td></tr> <tr><td>01 = hardwired</td></tr> <tr><td>02 = RF motion (RM type)</td></tr> <tr><td>03 = supervised RF transmitter (RF type)</td></tr> <tr><td>04 = unsupervised RF transmitter (UR type)</td></tr> <tr><td>05 = RF button-type transmitter (BR type)</td></tr> <tr><td>06 = serial number polling loop device (SL type)</td></tr> <tr><td>07 = DIP switch-type polling loop device</td></tr> <tr><td>08 = right loop of DIP switch type device</td></tr> <tr><td>09 = keypad input (code + #73)</td></tr> </table> <p>Right loops refer to the use of the right loop on a 4190WH Zone Expander Module and/or 4278EX PIR, which allow hardwired devices to be monitored by the polling loop. If you are programming hardwired or DIP switch polling loop devices, the summary display appears after completing this entry. <b>NOTE:</b> After programming, refer to the Installation and Setup Guide test section for testing of the RF devices. Press [*] to continue.</p>	00 = not used	01 = hardwired	02 = RF motion (RM type)	03 = supervised RF transmitter (RF type)	04 = unsupervised RF transmitter (UR type)	05 = RF button-type transmitter (BR type)	06 = serial number polling loop device (SL type)	07 = DIP switch-type polling loop device	08 = right loop of DIP switch type device	09 = keypad input (code + #73)																
00 = not used																											
01 = hardwired																											
02 = RF motion (RM type)																											
03 = supervised RF transmitter (RF type)																											
04 = unsupervised RF transmitter (UR type)																											
05 = RF button-type transmitter (BR type)																											
06 = serial number polling loop device (SL type)																											
07 = DIP switch-type polling loop device																											
08 = right loop of DIP switch type device																											
09 = keypad input (code + #73)																											

PROMPT	EXPLANATION
010 SMART CONTACT 1 = YES 0 = NO	<p>If input type 3 or 6 was selected, this prompt will be displayed. Enter <b>1</b> for devices that monitor maintenance signals (ex. 5193SD, 5193SDT) or can be used to limit fault signals in the disarmed state (ex. Quest 2260SN). Otherwise, enter <b>0</b>.</p> <p><b>NOTES:</b></p> <ol style="list-style-type: none"> <li>1. The Smart Contact option must <b>ONLY</b> be selected for devices that support the feature, otherwise unpredictable results may occur.</li> <li>2. If using the new 5193SD/SDT V-Plex smoke detectors (or older 5192SD/SDT with the maintenance DIP sw enabled) the "Smart" option must be selected in zone programming or when they enroll unpredictable results may occur if the smoke goes into a High Sens or Low Sens condition.</li> </ol>
010 V-PLEX RELAY? 1 = YES 0 = NO	<p><b>If you selected input type 6</b>, this prompt is displayed. Enter <b>1</b> if using a 4101SN Relay Module for this zone. Otherwise enter <b>0</b>.</p> <p>Press [*] to continue.</p>
010 CONS ECP ADDR (00-30) 01	<p><b>If you selected input type 09</b>, this prompt is displayed. Enter the ECP address of the keypad that is being used for entry/exit for this access point (<b>00-30</b>).</p> <p>Press [*] to continue.</p>
010 INPUT S/N: L AXXX-XXXX 1	<p><b>For Serial Number entry and Loop Number entry, do one of the following:</b></p> <ol style="list-style-type: none"> <li>a. Transmit two open and close (or close and open) sequences. For a button-type transmitter, press and release the button, wait approximately 4 seconds, then press and release the button a second time. OR</li> <li>b. Manually enter the 7-digit serial number printed on a label on the transmitter, using the Alpha keypad. Then press the [*] key, the cursor moves to the "L" position. You can edit the loop number, if necessary. When the loop number is acceptable, press [*]. OR</li> <li>c. Press key [C] to copy the last serial number enrolled (used when programming a transmitter with several input loops).</li> </ol> <p>Press [*] to accept.</p>
010 INPUT S/N: L A022-4064 1	<p>The cursor will then move to the Loop column (L) with the previously entered/transmitted serial number displayed.</p> <p>Enter the loop number (refer to 5800 Series Transmitters Loop Designations below).</p> <p><b>To Delete an Existing Serial Number</b>, enter "0" in the loop number field. The serial number will change to "0"s.</p> <p>If "0" was entered in error, simply re-enter the loop number or press [#], and the serial number will return to the display.</p> <p>Press [*] to accept.</p>
010 INPUT S/N: L A022-4064 1	<p>The system will then check for a duplicate serial/loop number combination.</p> <p>If a duplicate serial/loop number combination is found, the keypad will emit a single long beep, and display the serial number along with a "?" for the loop number, allowing you to re-enter the correct loop number.</p> <p>If the serial/loop number combination is not a duplicate in the system, a display appears showing the serial number and loop number entry.</p> <p>Press [*] to continue.</p>

## 5800 Series Transmitters Loop Designations

PROMPT	EXPLANATION
XMIT TO CONFIRM PRESS *TO SKIP	<b>Confirmation Option:</b> This prompt only appears if you answered "Yes" at the first prompt. The system enters a confirmation mode so that the operation of the actual programmed input can be confirmed. Activate the loop input or button that corresponds to this zone. At any time during this step, you may press the [*] key on the keypad to save the serial and loop number combination without confirming.
Entd    A022-4063    1 Rcvd    A022-4064	<b>If the serial number transmitted <u>does not</u> match the serial number entered</b> , a display similar to the one at the left appears. If the loop number does not match, it is also displayed. If so, activate the loop input or button on the transmitter once again. If a match is not obtained (i.e., summary display does not appear), press the [#] key twice and then enter or transmit the correct serial number.
010 ZT P RC In L 03 1 3C RF 1s	If the serial number transmitted <u>does</u> match the serial number entered, the system beeps 3 times and a summary display appears, showing that zone's programming. Note that an "s" indicates that a transmitter's serial number has been enrolled. Press [*] to accept the zone information.
ENTER ZONE NO. 000 = QUIT                      011	The system now returns to the "ENTER ZONE NO." prompt for the next zone. When all zones have been programmed, enter "000" to quit.

**After you have enrolled each wireless device, remove ONE of the serial number labels from that device and affix it in the appropriate column on the worksheets provided later in this *Programming Guide*; then enter the other information (zone number, zone type, etc.) relevant to that device.**



When you have finished programming all zones, test each using the system's Test Mode. Do not use the Transmitter ID Sniffer Mode. The system checks only for transmission of one zone on a particular transmitter, NOT the zones assigned to each additional loop, and also does not verify polling loop type zones.

## Expert Mode Zone Programming

Expert mode allows you to program zones using the minimum number of screens and keystrokes.

Enter the Programming mode with **[Installer Code] + 8 0 0**

Before programming your zones, do the following:

1. Program field **2\*00: Number of Partitions**.
2. Enable your RF Receiver in *Device Programming* menu mode.

To program your zones, press \*93 to display the "ZONE PROG?" prompt. Enter "0" (NO) to each prompt until the "EXPERT MODE?" prompt appears.

PROMPT	EXPLANATION
<pre>EXPERT MODE? 1 = YES  0 = NO    0</pre>	Press 1 to enter Expert mode.
<pre>SET TO CONFIRM? 0 = NO  1 = YES    0</pre>	This prompt appears once upon entering Expert Mode. If you select "Yes," Confirmation prompts will be displayed after the device's Serial and Loop numbers have been entered later.
<pre>Zn  ZT  P  RC  In  L 001 03  1  10  HW  -</pre>	A summary display appears, showing zone 1's current programming or default values.
<pre>Zn  ZT  P  RC  In  L 010 03  1  10  RF  1s</pre>	Enter the desired 3-digit zone number and press [*]. <b>NOTE:</b> If you want to exit the Expert mode, enter "000" + [*]. If an "s" appears after the loop number, it indicates that the transmitter's serial number has been enrolled. Use the [D] key to enter and duplicate wireless keys (see "Entering Wireless Keys" later)
<pre>Zn  ZT  P  RC  In  L 010 03  1  10  RF  -</pre>	Enter all zone information except for Loop number, or press "C" to copy the zone information on this screen from the last saved zone (including Loop). ZT = Zone Type P = Partition RC = Report Code In = Input Device Type L = Loop number to which the sensor is connected. <b>NOTE: Pressing the [C] copies the zone information from the last saved zone, which includes the input type. Verify this information is correct for this zone.</b> <b>On this screen:</b> <ul style="list-style-type: none"> <li>• Use the [A] key to move to the right.</li> <li>• Use the [B] key to move to left and to back up to "ZT" field.</li> </ul> Press [*] to accept the existing or newly-entered zone information.
<pre>ZN  B  M  V  A  C  E  AD 010 2  1  1  0  1  1  01</pre>	Enter the remainder of the zone's information, or press the [C] key to copy the zone attributes on this screen from the last saved zone. B = Bell/Relay Assignment M = Maintenance (only used if "In" = 3 or 6) V = Do Not Use. Must be set to "0". AC = Access Point (only used if In = 6) E = Do Not Use. Must be set to "0". AD = Address (only used if "In" = 9) If "In" = 9, enter the Device Address <b>NOTE: Pressing the [C] copies the zone attributes from the last saved zone. Verify the attributes for this zone are correct.</b> <b>On this screen:</b> <ul style="list-style-type: none"> <li>• Use the [A] key to move to the right.</li> <li>• Use the [B] key to move to left and to back up to "V" field.</li> </ul> Press [*] to accept existing information.

PROMPT	EXPLANATION												
<table border="1"> <tr> <td>010 INPUT S/N:</td> <td>L</td> </tr> <tr> <td>A XXX-XXXX</td> <td>-</td> </tr> </table>	010 INPUT S/N:	L	A XXX-XXXX	-	<p>If you entered RM, RF, BR, UR or SL for the Input Type, this screen displays. Otherwise the summary screen for the next zone displays.</p> <p>Enter the 7-digit serial number, using one of the following methods:</p> <ol style="list-style-type: none"> <li>Transmit two open and close (or close and open) sequences. For a button-type transmitter, press and release the button, wait approximately 4 seconds, then press and release the button a second time. OR</li> <li>Manually enter the 7-digit serial number printed on a label on the transmitter, using the alpha keypad. Then press the [*] key, the cursor will move to the "L" position. You can edit the loop number, if necessary. When the loop number is acceptable, press [*]. OR</li> <li>Press key [C] to copy the last serial number enrolled (used when programming a transmitter with several input loops).</li> </ol> <p>Remember, you can use the [A] key to move to the right or the [B] key to move to the left. You can also use the [#] key to back up without saving.</p>								
010 INPUT S/N:	L												
A XXX-XXXX	-												
<table border="1"> <tr> <td>010 INPUT S/N:</td> <td>L</td> </tr> <tr> <td>A022-4064</td> <td>1</td> </tr> </table>	010 INPUT S/N:	L	A022-4064	1	<p>Press [*] to accept the serial number and advance to the "L" position (if method "a" or "c" was used), then enter the loop number.</p> <p>If necessary, press the [#] key to back up without saving, and re-enter or edit the serial number before pressing [*] to save</p> <p>The system checks for a duplicate. If a duplicate serial/loop number combination is found, the keypad will emit a single long beep, and display the serial number along with a "?" for the loop number, allowing you to re-enter the correct loop number.</p>								
010 INPUT S/N:	L												
A022-4064	1												
<table border="1"> <tr> <td>010 INPUT S/N:</td> <td>L</td> </tr> <tr> <td>A000-0000</td> <td>1</td> </tr> </table>	010 INPUT S/N:	L	A000-0000	1	<p><b>To Delete an Existing Serial Number</b>, enter "0" in the loop number field. The serial number will change to "0"s.</p> <p>If "0" was entered in error, simply re-enter the loop number or press [#], and the serial number will return to the display.</p>								
010 INPUT S/N:	L												
A000-0000	1												
<table border="1"> <tr> <td>XMIT TO CONFIRM</td> <td></td> </tr> <tr> <td>PRESS *TO SKIP</td> <td></td> </tr> </table>	XMIT TO CONFIRM		PRESS *TO SKIP		<p>The prompt to confirm appears. This prompt only appears if you answered "Yes" at the "SET TO CONFIRM?" prompt.</p> <p>The system enters a confirmation mode so that the operation of the actual programmed input can be confirmed. Activate the loop input or button that corresponds to this zone. At any time during this step, you may press the [*] key on the keypad to save the serial and loop number combination without confirming.</p>								
XMIT TO CONFIRM													
PRESS *TO SKIP													
<table border="1"> <tr> <td>Entd</td> <td>A022-4063</td> <td>1</td> </tr> <tr> <td>Rcvd</td> <td>A022-4064</td> <td>1</td> </tr> </table>	Entd	A022-4063	1	Rcvd	A022-4064	1	<p><b>If the serial number transmitted <u>does not</u> match the serial number entered</b>, a display similar to the one at the left appears. If the loop number does not match, it also is displayed.</p> <p>If so, activate the loop input or button on the transmitter once again. If a match is not obtained (i.e., summary display for the next zone does not appear), press the [#] key twice and then enter or transmit the correct serial number.</p> <p>Activate the button on the wireless key again after re-entering the serial number.</p>						
Entd	A022-4063	1											
Rcvd	A022-4064	1											
<table border="1"> <tr> <td>Zn</td> <td>ZT</td> <td>P</td> <td>RC</td> <td>In</td> <td>L</td> </tr> <tr> <td>011</td> <td>00</td> <td>1</td> <td>10</td> <td>00</td> <td>1</td> </tr> </table>	Zn	ZT	P	RC	In	L	011	00	1	10	00	1	<p><b>If the serial number transmitted <u>matches</u> the serial number entered</b>, the system beeps 3 times and advances to the summary display for the next zone's programming.</p> <p>After all the zones have been programmed, enter <b>000</b> for the zone number to quit.</p>
Zn	ZT	P	RC	In	L								
011	00	1	10	00	1								

**After you have enrolled each wireless device, remove ONE of the serial number labels from that device and affix it in the appropriate column on the worksheets provided later in this *Programming Guide*; then enter the other information (zone number, zone type, etc.) relevant to that device.**

## Report Code Programming

All report codes are entered using #93 Menu Mode Programming, either through Report Code Programming, or through Zone Programming while entering other zone information. In the VISTA-32FB, reports are divided into six categories. These categories represent the main menu options in Report Code Programming. Reports and the categories in which they are found are as follows:

ALARM CODES	RESTR, SUPV. CODES (for groups of 16 zones)	SYSTEM GROUP #1
Zone Alarm Reports	Alarm Restore Trouble Trouble Restore Bypass Bypass Restore	Closing (arm AWAY) Opening (disarm) System Low Battery Low Battery Restore AC Loss AC Restore Periodic Test Power Cancel Program Tamper
SYSTEM GROUP #2	SYSTEM GROUP #3	SYSTEM GROUP #4
Arm STAY Time Set, Log Reset Dialer Queue Overflow Exit Error by Zone Exit Error by User Recent Close	Early Open Early Close Late Open Late Close Failed to Open Failed to Close Auto-Arm Failed Schedule Change	Fire Walk-Test Start Fire Walk-Test End Off-Normal

The programming sequence that follows assumes that you will be entering all reports for the system at one time. In actuality, you may skip from one main menu option to another by pressing 0 (N) at each main menu option. Main menu options are highlighted in bold text. To enter report codes, do the following:

Enter Program Mode: **[Installer Code] + 8 0 0**. Then press **#93**. Enter 0 (N) at each main menu option until the *Report Code Programming* option is displayed.

PROMPT	EXPLANATION
REPORT CODE PROG 1 = YES 0 = NO 0	Press 1 (Y) to enter to <i>Report Code Programming</i> .
<b>Zone Alarm Reports</b>	
PROMPT	EXPLANATION
ALARM, ID DIGIT? 1 = YES 0 = NO 0	Press <b>[1]</b> (Y) to enter Alarm Report Codes for zones. Press <b>[0]</b> (N) to skip to the next main menu option.
ENTER ZONE NO. 000 = QUIT 001	Enter the zone number for which you are entering the report code. Press [*] to continue.
001 REPORT CODE 1st 00 2nd 00 00	Enter the first digit of the Alarm report code (double-digit entry) and press [*]. Enter the 2nd digit of the Alarm Report code. Press [*] to continue.
ENTER ZONE NO. 000 = QUIT 001	Enter the zone number for which you are entering the report code. When all zone Alarm Codes have been programmed, enter 000 to Quit. Press [*] to continue.
QUIT REPORT MENU 1 = YES 0 = NO 0	If you have completely finished entering report codes, press <b>[1]</b> (Y) to quit <i>Report Code Programming</i> . If you wish to enter other system report codes, enter 0 (N). Press [*] to continue.

## Restore/Supervisory Codes

PROMPT	EXPLANATION
RESTR, SUPV. CODE 1 = YES 0 = NO 0	Press <b>[1]</b> (Y) to enter Restore and Supervisory Codes for zones.
ENTER ZN FOR GRP 000 = QUIT 001	Enter one zone for each group of 16 zones (001-016, 017-032, etc.).
ALARM RESTORE GRP 001-016 00	Enter the first digit of the Alarm Restore Report Code for this group of zones (double-digit entry). The second digit (for two-digit reporting formats) is automatically the ID (second) digit of the Alarm Report Code for each zone (if programmed). Press <b>[*]</b> to continue.
TROUBLE GRP 001-016 00	Enter the first digit of the Trouble Report Code for this group of zones (double-digit entry). The second digit (for two-digit reporting formats) is automatically the ID (second) digit of the Alarm Report Code for each zone (if programmed). Press <b>[*]</b> to continue.
TROUBLE RESTORE GRP 001-016 00	Enter the first digit of the trouble restore code (single-digit entry) and press <b>[*]</b> . The second digit (for two-digit reporting formats) is automatically the ID (second) digit of the alarm report code for each zone (if programmed). Press <b>[*]</b> to continue.
BYPASS GRP 001-016 00	Enter the first digit of the Bypass Report Code (double-digit entry) and press <b>[*]</b> . The second digit (for two-digit reporting formats) is automatically the ID (second) digit of the Alarm Report Code for each zone (if programmed). Press <b>[*]</b> to continue.
BYPASS RESTORE GRP 001-016 00	Enter the first digit of the Bypass Restore Report Code (double-digit entry) and press <b>[*]</b> . The second digit (for two-digit reporting formats) is automatically the ID (second) digit of the Alarm Report Code for each zone (if programmed). Press <b>[*]</b> to continue.
ENTER ZN FOR GRP 000 = QUIT 017	Enter one zone for each group of 16 zones. When you are finished entering Restore and Supervisory Codes for all zone groups, enter <b>000</b> . Press <b>[*]</b> to continue.
QUIT REPORT MENU 1 = YES 0 = NO 0	If you have completely finished entering report codes, press <b>[1]</b> (Y) to quit <i>Report Code Programming</i> . If you wish to enter other system report codes, enter <b>0</b> (N). Press <b>[*]</b> to continue.

## System Group #1 Codes

PROMPT	EXPLANATION
SYSTEM GROUP #1? 1 = YES 0 = NO 0	To enter System Group #1 codes, press <b>1</b> (Y).
CLOSE 1st 00 2nd 00	Enter the first digit of the Closing (Arm-AWAY) report. Press <b>[*]</b> . Enter the second digit of the report. If the user number is desired as the second digit, enter <b>01</b> (not necessary for Contact ID or High Speed formats). Press <b>[*]</b> to continue.



PROMPT	EXPLANATION
	<p>Enter the rest of the codes in the same manner. Other report codes in System Group #1 are:</p> <ul style="list-style-type: none"> <li>• Opening (Disarm) Also, enable this if you desire Callback Requested reports (the panel answers a phone call from the downloader).</li> <li>• System Low Battery</li> <li>• Low Battery Restore</li> <li>• AC Loss</li> <li>• AC Restore</li> <li>• Periodic Test</li> <li>• Power</li> <li>• Cancel</li> <li>• Program Tamper</li> </ul> <p>Once you have entered these report codes, the system prompts you with the Quit menu.</p>

<p>QUIT REPORT MENU 1 = YES 0 = NO 0</p>	<p>If you have completely finished entering report codes, press <b>1</b> (Y) to quit <i>Report Code Programming</i>. If you wish to enter other system report codes, enter <b>0</b> (N). Press [*] to continue.</p>
--	---

### System Group #2 Codes

PROMPT	EXPLANATION
<p>SYSTEM GROUP #2 ? 1 = YES 0 = NO 0</p>	<p>To enter System Group #2 codes, press <b>[1]</b> (Y).</p>
<p>STAY 1st 00 2nd 00</p>	<p>Enter the first digit of the Arm-STAY report. Press [*]. Enter the second digit of the report. If the user number is desired as the second digit, enter <b>01</b> (not necessary for Contact ID or High Speed formats). Press [*] to continue.</p>
	<p>Enter the rest of the codes in the same manner. Other codes in System Group #2 are:</p> <ul style="list-style-type: none"> <li>• Time Set, Log Reset</li> <li>• Dialer Queue Overflow</li> <li>• Exit Error by Zone</li> <li>• Exit Error by User</li> <li>• Recent Close</li> </ul> <p>Once you have entered these report codes, the system prompts you with the Quit menu.</p>

<p>QUIT REPORT MENU 1 = YES 0 = NO 0</p>	<p>If you have completely finished entering report codes, press <b>[1]</b> (Y) to quit <i>Report Code Programming</i>. If you wish to enter other system report codes, enter <b>0</b> (N). Press [*] to continue.</p>
--	---

### System Group #3 Codes

PROMPT	EXPLANATION
<p>SYSTEM GROUP #3 ? 1 = YES 0 = NO 0</p>	<p>To enter System Group #3 codes, press <b>[1]</b> (Y).</p>
<p>EARLY OPEN 1st 00 2nd 00</p>	<p>Enter the first digit of the Early Opening Report Code. Press [*]. Enter the second digit of the report code. If the user number is desired as the second digit, enter <b>01</b> (not necessary for Contact ID or High Speed formats). Press [*] to continue.</p>

PROMPT	EXPLANATION
	<p>Enter the rest of the codes in the same manner. Other codes in System Group #3 are:</p> <ul style="list-style-type: none"> <li>• Early Close</li> <li>• Late Open</li> <li>• Late Close</li> <li>• Failed to Open</li> <li>• Failed to Close</li> <li>• Auto-Arm Failed</li> <li>• Schedule Change</li> </ul> <p>Once you have entered these report codes, the system prompts you with the Quit menu.</p>

<p>QUIT REPORT MENU 1 = YES 0 = NO 0</p>	<p>If you have completely finished entering report codes, press <b>[1]</b> (Y) to quit <i>Report Code Programming</i>. If you wish to enter other system report codes, enter <b>0</b> (N) Press <b>[*]</b> to continue.</p>
--	---

**System Group #4 Codes**

PROMPT	EXPLANATION
<p>SYSTEM GROUP #4 ? 1 = YES 0 = NO 0</p>	<p>To enter System Group #4 codes, press <b>[1]</b> (YES).</p>
<p>WALK TEST START 1st 00 2nd 00</p>	<p>Enter the first digit of the Fire Walk Test Start Report Code. Press <b>[*]</b>. Enter the second digit of the report code. Press <b>[*]</b> to continue.</p>
	<p>Enter the rest of the codes in the same manner. Other codes in System Group #4 are:</p> <ul style="list-style-type: none"> <li>• Fire Walk-Test End.</li> <li>• Off-Normal.</li> </ul> <p>Once you have entered these report codes, the system prompts you with the Quit menu.</p>

<p>QUIT MENU MODE? 1 = YES 0 = NO 0</p>	<p>Enter <b>1</b> to exit back to normal Programming mode. Enter <b>0</b> to stay in Menu mode.</p>
---	---

## Alpha Descriptors Programming

---

You can program a user-friendly English language description/location for all protection zones, relays, keypad panics, polling loop short, and RF receiver supervision troubles.

Each description can be composed of a combination of words (up to 3) that are selected from a vocabulary of 244 words stored in memory, and any word can have an "s" or " 's " added to it.

**NOTE:** Due to the use of 3-digit zone numbers, the first word of the descriptor is limited to 6 characters if you want it to fit on the top line of the display.

In addition, up to 60 installer-defined words can be added to those already in memory. Thus, when an alarm or trouble occurs in a zone, an appropriate description for the location of that zone will be displayed at the keypad.

A custom installer's message can be programmed for each partition which is displayed when the system is "Ready" (e.g., THE PETERSONS').

1. To program alpha descriptors, enter Programming mode, then press **#93** to display "ZONE PROG?"
2. Press **[0]** (NO) twice to display "ALPHA PROG?".
3. Press **[1]** to enter *Alpha Programming*.

There are 6 submenu selections that will be displayed one at a time.

Press **[1]** to select the mode desired.

Press **[0]** to display the next mode available. The alpha menu selections are:

<b>ZONE DESCRIP?</b>	For entering zone descriptors.
<b>DEFAULT SCREEN?</b>	For creating custom message; displayed when system is ready.
<b>CUSTOM WORD?</b>	For creating custom words for use in descriptors.
<b>PART DESCRIP?</b>	For creating 4-character partition names.
<b>EXIT EDIT MODE?</b>	Press <b>[1]</b> to exit back to #93 Menu Mode.

4. Refer to the sections that follow for procedures for adding alpha descriptors.

### Zone Descriptors

1. **Select ZONE DESCRIPTOR mode.**

The keypad keys perform the following functions:

- [3] Scrolls both alphabet and actual words in ascending alphabetical order.
- [1] Scrolls both alphabet and actual words in descending alphabetical order.
- [2] Adds or removes an "s" or " 's " to a vocabulary word.
- [6] Switches between alphabet and actual word list; used to accept entries.
- [8] Saves the zone description in the system's memory.
- [#] [#] plus zone number displays the description for that zone.

2. **Enter the zone number to which you want to assign a descriptor.**

For example, key **[\*] 001** to begin entering the description for Zone 1, (key **[\*] 002** for Zone 2, **[\*] 003** for Zone 3, etc.). The following is displayed: \* ZN 001 A.

Note that the first letter of the alphabet appears after the zone number, and that the zone number is automatically included with the description.

3. **Enter the descriptor for that zone.**

Use one of two methods as follows:

(Assume, for example, that the desired description for Zone 1 is BACK DOOR.)

- a) Press **[#]** followed by the 3-digit number of the first word from the fixed dictionary shown later in this section (e.g., **[0][1][5]** for BACK).

Press **[6]** in order to accept the word and proceed, or press **[8]** to store the complete descriptor and exit;

or

- b) Select the first letter of the desired description (note that "A" is already displayed). Use the **[3]** key to advance through the alphabet and the **[1]** key to go backward.

Press **[3]** key repeatedly until "B" appears (press **[1]** to go backwards if you happen to pass it), then press **[6]** to display the first available word beginning with "B".

Press **[3]** repeatedly to advance through the available words until the word "BACK" is displayed.



---

To add an "s" or " 's," if you need to, press **2**. The first depression adds an "s," the second depression adds an " 's," the third depression displays no character (to erase the character), the fourth depression adds an "s," etc.

---

4. **Accept the word.**

To accept the word, press [6], which switches back to the alphabet list for the next word, or press [8] to store the complete descriptor and then exit.

5. **Select the next word.**

For selection of the next word (DOOR), repeat step 3a (word #063) or 3b, but selecting the word "DOOR."  
To accept the word, press [6], which again switches back to alphabet list.

6. **Store the descriptor.**

When all desired words have been entered, press [8] to store the description in memory.  
To review the zone descriptors, key [#] plus zone number (e.g., #001).  
To edit zone descriptors, key [\*] plus zone number (e.g., \*001)

7. **Exit Zone Description Mode: enter 000.**

**Default Screen (Custom Message Display)**

Normally, when the system is in the disarmed state, the following display is present on the keypad.

```
****DISARMED****  
READY TO ARM
```

Part or the entire above message can be modified to create a custom installer message for each partition. For example, "\*\*\*\*DISARMED\*\*\*\*" on the first line or "READY TO ARM" on the second line could be replaced by the installation company name or phone number for service.

**NOTE:** There are only 16 character spaces on each of the two lines.

To create a custom display message, proceed as follows:

1. **Select Default Screen mode.**

The keypad asks for the partition number for this message.  
Enter the partition number. Press [\*] to accept entry.  
The following display appears:

```
****DISARMED****  
READY TO ARM
```

A cursor is present at the extreme left of the first line (over the first "star"). Press [6] to move the cursor to the right and [4] to move the cursor to the left. Press [7] to insert spaces or erase existing characters.

2. **Create the message.**

For example, to replace "READY TO ARM" with the message "SERVICE 424-0177," proceed as follows:

Press [6] to move the cursor to the right, and continue until the cursor is positioned over the first location on the second line.

Press [3] to advance through the alphabet to the first desired character (in this case, "S"). Press [1] to go backward, when necessary. When the desired character is reached, press [6].

The cursor then moves to the next position, ready for entry of the next character (in this example, "E"). When the cursor reaches a position over an existing character, press [3] or [1] to advance or back up from that character in the alphabet.

Proceed in this manner until all characters in the message have been entered.

3. **Save the message.**

Store the new display message in memory by pressing [8].

4. **The system asks for a new partition number.**

Enter 0 to quit or 1-2 for a new partition number.

**Custom Words**

Up to 60 installer-defined words can be added to the built-in vocabulary. Each of the 60 "words" can actually consist of several words, but bear in mind that a maximum of 10 characters can be used for each word string.

1. **Select CUSTOM WORD Mode.**

The keys perform the following functions:

- [3] Advances through alphabet in ascending order.
- [1] Advances through alphabet in descending order.
- [6] Selects desired letter; moves the cursor 1 space to the right.
- [4] Moves the cursor one space to the left.
- [7] Inserts a space at the cursor location, erasing any character at that location.
- [8] Saves the new word in the system's memory.
- [\*] Returns to Description Entry Mode.

2. **Enter the custom word number (01-60) you want to create.**

For example, if you are creating the first word (or word string), enter 01; when creating the second word, enter 02, and so on. A cursor now appears at the beginning of the second line.

**3. Type the word using one of two methods as follows:**

a) Press [#], followed by the 2-digit entry for the first letter you would like to display (e.g., **65** for "A").  
When the desired character appears, press **[6]** to select it. The cursor will then move to the right, in position for the next character. Press [#] plus the 2-digit entry for the next letter of the word.

**or**

b) Press **3** to advance through the list of symbols, numbers, and letters.  
Press **1** to move back through the list.

When you have reached the desired character, press **[6]** to select it. The cursor then moves to the right, in position for the next character.

**4. Repeat step 3 to create the desired custom word (or words).**

Press **[4]** to move the cursor to the left if necessary.

Press **[7]** to enter a blank (or to erase an existing character).

Each word or word string cannot exceed 10 characters.

**5. Save the word by pressing [8].**

This returns you to the "CUSTOM WORD?" display. The custom word (or string of words) is automatically added to the built-in vocabulary at the end of the group of words beginning with the same letter.

Custom words are retrieved as word numbers 255 to 314 for words 1 to 60, respectively, when using method 3a to enter alpha descriptors.

When using method 3b to enter alpha descriptors, each word appears at the end of the group of words that begin with the same letter as it does.

**6. Repeat steps 2 through 6 to create up to a maximum of 60 custom words (or word strings).**

**7. Exit Custom Word Mode by entering 00 at the "CUSTOM WORD" prompt.**

**Partition Descriptors**

**1. Select "Part DESCRIPT." Mode.**

The system asks for the partition number desired. Enter the number as a single-key entry **1-2**.

**2. Follow the same procedure as for custom words.**

**NOTE:** The partition descriptors are limited to 4 characters (e.g., WHSE for warehouse).

# Alpha Descriptor Vocabulary

(For entering alpha descriptors. To select a word, press [#] followed by the word's 3-digit number.)

**NOTE: This vocabulary is not to be used for relay voice descriptors.** See the *Relay Voice Descriptors* section when programming relay voice descriptors.

- |                  |                   |               |                   |   |
|------------------|-------------------|---------------|-------------------|---|
| 000 (Word Space) | • 052 DAUGHTERS   | • 103 HALL    | 152 PAINTING      | 204 TAMPER                                    |
| • 001 AIR        | 053 DELAYED       | • 104 HEAT    | • 153 PANIC       | 205 TAPE                                      |
| • 002 ALARM      | • 054 DEN         | 105 HIGH      | 154 PASSIVE       | 206 TELCO                                     |
| 003 ALCOVE       | 055 DESK          | 106 HOLDUP    | • 155 PATIO       | 207 TELEPHONE                                 |
| 004 ALLEY        | • 056 DETECTOR    | 107 HOUSE     | 156 PERIMETER     | 208 TELLER                                    |
| 005 AMBUSH       | 057 DIALER 1      | 108 INFRARED  | • 157 PHONE       | • 209 TEMPERATURE                             |
| 006 ANTENNA      | 058 DIALER 2      | 109 INSIDE    | 158 PHOTO         | 210 THERMOSTAT                                |
| • 007 AREA       | • 059 DINING      | • 109 INSIDE  | 159 POINT         | • 211 TOOL                                    |
| • 008 APARTMENT  | 060 DISCRIMINATOR | 110 INTERIOR  | 160 POLICE        | 212 TRANSMITTER                               |
| 009 ART          | 061 DISPLAY       | 111 INTRUSION | 161 POOL          | 213 TRAP                                      |
| • 010 ATTIC      | 062 DOCK          | 112 JEWELRY   | • 162 POWER       | 214 TRIGGERS                                  |
| 011 AUDIO        | • 063 DOOR        | • 113 KITCHEN | 163 QUAD          | 215 ULTRA                                     |
| 012 AUX          | 064 DORMER        | • 114 LAUNDRY | 164 COMMUNICATOR  | • 216 UP                                      |
| 013 AUXILIARY    | • 065 DOWN        | • 115 LEFT    | • 165 REAR        | • 217 UPPER                                   |
| • 014 BABY       | • 066 DOWNSTAIRS  | 116 LEVEL     | 166 RECREATION    | • 218 UPSTAIRS                                |
| • 015 BACK       | 067 DRAWER        | • 117 LIBRARY | 167 REFRIG        | • 219 UTILITY                                 |
| • 016 BAR        | • 068 DRIVEWAY    | • 118 LIGHT   | 168 REFRIGERATION | 220 VALVE                                     |
| 017 BARN         | 069 DRUG          | 119 LINE      | 169 RELAY 1       | 221 VAULT                                     |
| • 018 BASEMENT   | • 070 DUCT        | 120 LIQUOR    | 170 RF            | 222 VIBRATION                                 |
| • 019 BATHROOM   | • 071 EARTH       | • 121 LIVING  | • 171 RIGHT       | 223 VOLTAGE                                   |
| • 020 BED        | 072 EAST          | • 122 LOADING | • 172 ROOM        | 224 WALL                                      |
| • 021 BEDROOM    | 073 ELECTRIC      | 123 LOCK      | 173 ROOF          | 225 WAREHOUSE                                 |
| 022 BELL         | 074 EMERGENCY     | 124 LOOP      | 174 SAFE          | 226 WASH                                      |
| 023 BELL 1       | 075 ENTRY         | 125 LORRA     | 175 SCREEN        | • 227 WEST                                    |
| 024 BELL 2       | • 076 EQUIPMENT   | 126 LOW       | 176 SENSOR        | • 228 WINDOW                                  |
| • 025 BLOWER     | 077 EXECUTIVE     | • 127 LOWER   | • 177 SERVICE     | 229 WINE                                      |
| • 026 BOILER     | • 078 EXIT        | • 128 MACHINE | • 178 SHED        | • 230 WING                                    |
| 027 BOTTOM       | 079 EXTERIOR      | 129 MAGNETIC  | 179 SHOCK         | 231 WORK                                      |
| 028 BOX          | • 080 FACTORY     | 130 MAIDS     | • 180 SHOP        | 232 XMITTER                                   |
| 029 BREAK        | 081 FAILURE       | 131 MAIN      | 181 SHORT         | 233 YARD                                      |
| • 030 BUILDING   | 082 FAMILY        | • 132 MASTER  | 182 SHOW          | 234 ZN-1                                      |
| 031 BURNER       | • 083 FATHERS     | 133 MAT       | • 183 SIDE        | • 235 ZONE                                    |
| 032 CABINET      | • 084 FENCE       | • 134 MEDICAL | 184 SKYLIGHT      | • 236 0                                       |
| • 033 CALL       | 085 FILE          | 135 MEDICINE  | 185 SLIDING       | • 237 1                                       |
| 034 CAMERA       | • 086 FIRE        | 136 MICROWAVE | • 186 SMOKE       | • 238 1ST                                     |
| 035 CAR          | • 087 FLOOR       | 137 MONEY     | 187 SONIC         | • 239 2                                       |
| 036 CASE         | 088 FLOW          | 138 MONITOR   | • 188 SONS        | • 240 2ND                                     |
| 037 CASH         | 089 FOIL          | • 139 MOTHERS | • 189 SOUTH       | • 241 3                                       |
| 038 CCTV         | • 090 FOYER       | • 140 MOTION  | 190 SPRINKLER     | • 242 3RD                                     |
| 039 CEILING      | 091 FREEZER       | 141 MOTOR     | • 192 STATION     | • 243 4                                       |
| 040 CELLAR       | • 092 FRONT       | 142 MUD       | 191 STAMP         | • 244 4TH                                     |
| • 041 CENTRAL    | 093 FUR           | • 143 NORTH   | • 195 STORAGE     | • 245 5                                       |
| 042 CIRCUIT      | 094 FURNACE       | 144 NURSERY   | 196 STORY         | • 246 5TH                                     |
| 043 CLIP         | 095 GALLERY       | • 145 OFFICE  | 197 STRESS        | • 247 6                                       |
| • 044 CLOSED     | • 096 GARAGE      | 146 OIL       | 198 STRIKE        | • 248 6TH                                     |
| 045 COIN         | • 097 GAS         | • 147 OPEN    | 199 SUMP          | • 249 7                                       |
| 046 COLD         | 098 GATE          | 148 OPENING   | 200 SUPERVISED    | • 250 7TH                                     |
| 047 COATROOM     | • 099 GLASS       | • 149 OUTSIDE | 201 SUPERVISION   | • 251 8                                       |
| 048 COLLECTION   | 100 GROUND        | 150 OVERFLOW  | 202 SWIMMING      | • 252 8TH                                     |
| 049 COMBUSTION   | 101 GUEST         | 151 OVERHEAD  | 203 SWITCH        | • 253 9                                       |
| • 050 COMPUTER   | 102 GUN           |               |                   | • 254 9TH                                     |
| 051 CONTACT      |                   |               |                   | 255 Custom Word 1<br>to<br>314 Custom Word 60 |

## CHARACTER (ASCII) CHART

(For Adding Custom Words)

32 (space)	42 *	52 4	62 >	72 H	82 R
33 !	43 +	53 5	63 ?	73 I	83 S
34 "	44 ,	54 6	64 @	74 J	84 T
35 #	45 -	55 7	65 A	75 K	85 U
36 \$	46 .	56 8	66 B	76 L	86 V
37 %	47 /	57 9	67 C	77 M	87 W
38 &	48 0	58 :	68 D	78 N	88 X
39 '	49 1	59 ;	69 E	79 O	89 Y
40 (	50 2	60 <	70 F	80 P	90 Z
41 )	51 3	61 =	71 G		

**NOTE:** This factory-provided vocabulary of words is subject to change.

## Device Programming

This menu is used to program keypads, receivers, and relay modules, etc.



Device Address **00** is always set as an alpha keypad assigned to Partition 1 with no sounder suppression options, and these settings cannot be changed.

From Data Field Programming mode, press **#93** to display "ZONE PROG?" Press **[0]** repeatedly to display "DEVICE PROG?"

PROMPT	EXPLANATION								
<div style="border: 1px solid black; padding: 5px;">                     DEVICE PROG?                      1=YES 0=NO      0                 </div>	Press <b>[1]</b> to enter <i>Device Programming</i> .								
<div style="border: 1px solid black; padding: 5px;">                     DEVICE ADDRESS                      01-30, 00=QUIT      01                 </div>	The device address identifies the device to the control. Enter the 2-digit device address number to match the device's physical address setting ( <b>01-30</b> ). Press <b>[*]</b> to accept entry.								
<div style="border: 1px solid black; padding: 5px;">                     DEVICE TYPE      00                 </div>	Select the type of addressable device as follows: <table style="width: 100%; border: none;"> <tr> <td style="width: 50%;"><b>00</b> = device not used</td> <td style="width: 50%;"><b>05</b> = Not used</td> </tr> <tr> <td><b>01</b> = alpha keypad (6160/6160CR-2)</td> <td><b>06</b> = communicator</td> </tr> <tr> <td><b>03</b> = RF receiver (5881ENHC, 5883H)</td> <td><b>09</b> = Not used</td> </tr> <tr> <td><b>04</b> = output relay module (4204)</td> <td><b>10</b> = Not used</td> </tr> </table> Press <b>[*]</b> to accept entry.	<b>00</b> = device not used	<b>05</b> = Not used	<b>01</b> = alpha keypad (6160/6160CR-2)	<b>06</b> = communicator	<b>03</b> = RF receiver (5881ENHC, 5883H)	<b>09</b> = Not used	<b>04</b> = output relay module (4204)	<b>10</b> = Not used
<b>00</b> = device not used	<b>05</b> = Not used								
<b>01</b> = alpha keypad (6160/6160CR-2)	<b>06</b> = communicator								
<b>03</b> = RF receiver (5881ENHC, 5883H)	<b>09</b> = Not used								
<b>04</b> = output relay module (4204)	<b>10</b> = Not used								

### Alpha Keypad

PROMPT	EXPLANATION				
<div style="border: 1px solid black; padding: 5px;">                     01 CONSOLE PART.      1                 </div>	If you selected device type 01 (alpha keypad), this prompt appears. Enter the addressable device's default partition number (1 to maximum number of partitions programmed for system in field 2*00). This is the primary partition for the device. Enter 3 to make this keypad a "Master" keypad for the system. Press <b>[*]</b> to accept entry.				
<div style="border: 1px solid black; padding: 5px;">                     01 SOUND OPTION      00                 </div>	If you entered device type 01 (alpha keypad), this prompt appears. Keypads can be individually programmed to suppress arm/disarm beeps, entry/exit beeps and chime mode beeps. This helps prevent unwanted sounds from disturbing users in other areas of the premises. Enter a number <b>00-03</b> for the keypad sounding suppression options desired for the keypad as follows: <table style="width: 100%; border: none;"> <tr> <td><b>00</b> = no suppression</td> </tr> <tr> <td><b>01</b> = suppress arm/disarm &amp; entry/exit beeps</td> </tr> <tr> <td><b>02</b> = suppress chime mode beeps only</td> </tr> <tr> <td><b>03</b> = suppress arm/disarm, entry/exit <b>and</b> chime mode beeps</td> </tr> </table> Press <b>[*]</b> to accept entry.	<b>00</b> = no suppression	<b>01</b> = suppress arm/disarm & entry/exit beeps	<b>02</b> = suppress chime mode beeps only	<b>03</b> = suppress arm/disarm, entry/exit <b>and</b> chime mode beeps
<b>00</b> = no suppression					
<b>01</b> = suppress arm/disarm & entry/exit beeps					
<b>02</b> = suppress chime mode beeps only					
<b>03</b> = suppress arm/disarm, entry/exit <b>and</b> chime mode beeps					
<div style="border: 1px solid black; padding: 5px;">                     01 KEYPAD GLBL?      0                 </div>	If you entered device type 01 (alpha keypad), this prompt appears. Each keypad can give users with access to multiple partitions the ability to arm and disarm those partitions from it. To enable this keypad for global arming/disarming, enter <b>1</b> . To prevent the ability to use this keypad for global arming/disarming, enter <b>0</b> . Press <b>[*]</b> to accept entry.				

### RF Expander

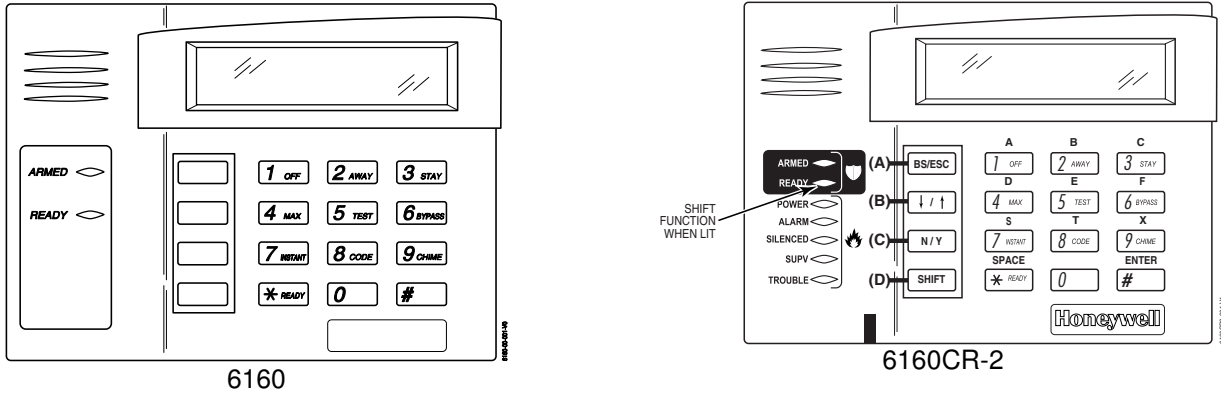
PROMPT	EXPLANATION
<div style="border: 1px solid black; padding: 5px;">                     01 RF EXPANDER                      HOUSE ID      00                 </div>	If you selected device type 03 (RF receiver), this prompt appears. Enter the 2-digit House ID ( <b>00-31</b> ). Press <b>[*]</b> to accept entry.

## Output Relay Module

PROMPT	EXPLANATION
01 SUPERVISED CF? 0	<p>If you selected device type 04 (relay module), this prompt appears. Enter <b>1</b> if the unit is a 4204CF. If not, enter <b>0</b>. If you enter 1, only Relay 1 (Output A) and Relay 3 (Output B) on each module may be programmed for functions.</p> <p><b>NOTE:</b> For Commercial Fire installations, only one notification appliance module may be used, and only one notification appliance output (A or B) may be used on that module.</p> <p>Press [*] to accept entry.</p>

## Communicator

If you selected device type 6, the 6160 and 6160CR-2 Keypad functions similarly to the 7720P Programming Tool. See *Figure 1* for the functions of the keys on the 6160CR-2.



NOTE: The 6160CR-2 must be used in Commercial Fire installations

Figure 1: 6160CR-2 Key Functions for Programming the Communicator

Each key has two possible functions: a normal function and a SHIFT function. To perform a normal key function, simply press the desired key. To perform a SHIFT key function, press SHIFT key, then press desired function key.

### Normal and SHIFT key Functions:


Key	Normal Key Function	SHIFT Key Function
BS/ESC	[BS]: Press to delete entry Also, can reset EEPROM defaults *	[ESC]: Press to quit Program Mode
↓/↑	[↓]: Scroll down programming	[↑]: Scroll up programming
N/Y	[N]: Press for "NO" answer	[Y]: Press SHIFT-Y for "YES" answer
SHIF T	Press before pressing a SHIFT key function. Will light READY LED. LED goes out once a key is pressed. Press again for each SHIFT function desired.	
1/A	[1]: For entering the number 1	[A]: Used for entering C.S. ID number
2/B	[2]: For entering the number 2	[B]: Used for entering C.S. ID number
3/C	[3]: For entering the number 3	[C]: Used for entering C.S. ID number
4/D	[4]: For entering the number 4	[D]: Used for entering C.S. ID number
5/E	[5]: For entering the number 5	[E]: Used for entering C.S. ID number
6/F	[6]: For entering the number 6	[F]: Used for C.S. ID & FAST Mode
7/S	[7]: For entering the number 7	[S]: Press to display diagnostic status
8/T	[8]: For entering the number 8	[T]: Press to send TEST messages
9/X	[9]: For entering the number 9	[X]: Press to reset the 7845i-ent
*/SPACE	[*]: Not used with 7845i-ent	[SPACE]: Not used with 7845i-ent
0	[0]: For entering the number 0	No SHIFT function
#/ENTER	[#/ENTER]: Press to accept entries	No SHIFT function

\* Active only when the "REVIEW?" prompt is displayed.



The 6160/6160CR-2 Keypad displays the following prompts, which are sent by the Communicator to the control.

**NOTE: These prompts are for the 7845i-ent Communicator only. If you are using a different communicator, refer to the communicator's instructions for the correct prompts.**

PROMPT	EXPLANATION
<div style="border: 1px solid black; padding: 5px;">                     DEVICE ADDRESS                 </div>	Enter the device address of the Communicator. The default address is 3.
<div style="border: 1px solid black; padding: 5px;">                     ID #                      (1234)                 </div>	Enter the 4-digit customer account number, <b>0001-9999</b> . This ID number will appear in the messages generated by the Communicator. Messages generated by the panel and transmitted by the Communicator will contain the ID number programmed into the panel. The Communicator and the panel should have the same ID number, if possible.
	If a different 4-digit customer account number is used in the Communicator that is programmed into the alarm control, the Communicator will transmit Communicator-specific messages (power-on reset, AC fail, etc.) using the Communicator customer number, and alarm messages using the control panel's customer number. If these numbers are different, you will be billed for two AlarmNet Communicator accounts.

PROMPT	EXPLANATION
<div style="border: 1px solid black; padding: 5px;">                     ODD [Y/N]                      (N)                 </div>	Enter <b>Y</b> for odd system flag; <b>N</b> for even system flag.
<div style="border: 1px solid black; padding: 5px;">                     Alarmnet (Y/N)                      (Y)                 </div>	Enter <b>Y</b> if this is an AlarmNet installation. Enter <b>N</b> if this is a private system and skip to Question 7.
<div style="border: 1px solid black; padding: 5px;">                     CS ID                      (11)                 </div>	Enter the primary central station's system ID number <b>1-7F</b> (will not be displayed for private system users).
<div style="border: 1px solid black; padding: 5px;">                     BAT PRESENT [Y/N]                      (N)                 </div>	Enter <b>Y</b> if optional battery will be used. <b>Must be Y for UL installations (a battery must be installed).</b>
<div style="border: 1px solid black; padding: 5px;">                     USE RADIO # [Y/N]                      (N)                 </div>	If you selected <b>Y</b> , the Communicator ID number replaces the panel Subscriber ID in panel-generated messages. If you selected <b>N</b> , the Communicator sends panel-generated messages with the panel Subscriber ID number.
<div style="border: 1px solid black; padding: 5px;">                     2<sup>ND</sup> CS ID                      (12)                 </div>	<b>This must be programmed with a value, even if it is the same as the primary central station.</b> The alarm panel has the option of sending a selected message to the second central station.
<div style="border: 1px solid black; padding: 5px;">                     REVIEW (Y/N)                      (N)                 </div>	Enter <b>Y</b> to review the programming options and to ensure that the correct responses have been made. Parameters can be changed during review. Enter <b>N</b> to end programming session.

## Output Programming

---

The system supports up to 96 outputs. Outputs can be used to perform many different functions and actions. Each output must be programmed to begin one of four types of ACTIONS at a designated START event, and end that ACTION at a designated STOP event. The options used to start and stop these devices are described below, followed by the actual screen prompts and available entries.

**NOTE: If you are using outputs on the polling loop (e.g., 4101SN) no more than 20 of the polling loop outputs may be programmed for the same START or STOP condition. Also, if you are using ZONE # for the START of a polling loop output and want that output to stop when the same zone restores, the STOP programming MUST BE BLANK.**

**If you are using Zone Type 17 (Waterflow) or 18 (Fire Supervisory) to trigger an output, you must program an Event for the START (alarm, trouble, etc.). All other Zone Type/System Operations do not require an Event.**

The letter(s) in parentheses after each function described below, such as (A) after ACTION, are those that appear in the various summary displays of programmed data during programming.

**ACTION (A)** The "ACTION" of the device is how the device will respond when it is activated by the "START" programming. You may want the device to activate momentarily, to pulse on and off continuously, or to remain activated until some other event occurs to stop it. There are five different action choices:

- ACTIVATE for 2 SECONDS and then reset. If selected, it is not necessary to program a stop parameter.
- ACTIVATE and REMAIN ACTIVATED until stopped by some other event.
- PULSE ON and OFF until stopped by some other event.
- NO RESPONSE when the device is not used.
- TOGGLE on and off alternately with each activation of event. **Do not program a stop parameter as this may cause unpredictable results.**

**START (STT)** The "START" programming determines when and under what conditions the device is activated. The following START options are available:

- 1) **EVENT (EV)** is the condition (alarm, fault, trouble) that must occur to a zone or group of zones (zone list) in order to activate the device. These conditions apply **only** when a zone list is used. The different choices for "EVENT" are listed below and in "Programming Relays" later in this section.
  - ALARM Action begins upon any alarm in an assigned zone in the zone list.
  - FAULT Action begins upon any opening of an assigned zone in the zone list.
  - TROUBLE Action begins upon any trouble condition in an assigned zone in the zone list.
  - NOT USED Action is not dependent upon one of the above events.

**ZONE LIST (ZL)** is a group of zones to which the "EVENT" applies in order to activate a particular device. Note that there are a total of 15 zone lists that can be programmed; when the selected EVENT (alarm, fault or trouble) occurs in **any** zone in the selected "Start" ZONE LIST (01-15), activation of the selected device will START.

- 2) **ZONE #** A specific zone going into alarm, fault, trouble, or restore (Event programming) can be used to start the relay action. Enter the 3-digit zone number (000-032).
- 3) **ZONE TYPE/SYSTEM OPERATION (ZT)**. If all zones to be used to start the device have the same response type, and there are no other zones of this type that are **not** to activate this device, then "ZONE TYPE" may be used instead of a "ZONE LIST" and "EVENT" to activate the device.

If a system operation, such as "DISARMING" or "ANY FIRE ALARM," is to activate the device, enter the appropriate choice under the "ZONE TYPE" option.

**The "ZONE TYPE/SYSTEM OPERATION" option functions independently of the "EVENT/ZONE LIST" combination.**

If a specific "ZONE TYPE" is chosen, any zone of that response type going into alarm, trouble, or fault will cause the device to activate as selected in "ACTION." If the same "ZONE TYPE" is also chosen for the STOP programming, any zone of that type that *restores* will de-activate the device.

If a "SYSTEM OPERATION" is chosen, that operation will cause the device to activate as selected in "ACTION." The different choices for "ZONE TYPE" and "SYSTEM OPERATION" are listed in "Programming Relays" later in this section, and on the Programming Form.

- 4) **PARTITION NO. (P)**. The device's "Start" ZONE TYPE/SYSTEM OPERATION may be limited to an occurrence on one partition (1-2), or any partition (0).

**STOP (STP):** The "STOP" programming determines when and under what conditions the device is de-activated. The following options are available:

- 1). **RESTORE ZONE LIST (ZL).** If a "ZONE LIST" is used as the "Stop" event, the device de-activates when **all** the zones in that list restore from a previous fault, trouble, or alarm condition. This occurs regardless of what is programmed to "START" the device; therefore, a "RESTORE ZONE LIST" is normally only used when a "ZONE LIST" is used to start the device.
- 2). **ZONE TYPE/SYSTEM OPERATION (ZT).** Instead of using a "RESTORE ZONE LIST," you can select a specific zone (response) type or system operation action to de-activate the device.  
 If you choose a specific "ZONE TYPE," any zone of that response type that restores from a previous alarm, trouble, or fault condition will cause the device to de-activate.  
 If you choose a "SYSTEM OPERATION," that operation causes the device to de-activate. The different choices for "ZONE TYPE" and "SYSTEM OPERATION" are listed in "Programming Relays" later in this section, and in the Programming Form.
- 3) **PARTITION NO. (P).** The device's "Stop" Zone Type/System Operation may be limited to an occurrence on one partition (1-2), or on any partition (0).

**The "ZONE TYPE/SYSTEM OPERATION" option functions independently of the "RESTORE/ZONE LIST" combination.**

**Output Devices Programming**

From Data Field Programming Mode, press **#93** to display the "ZONE PROG?" prompt. Press **[0]** (NO) to each menu option until the "OUTPUT PGM?" prompt appears. Press **[1]** (YES).

While in this mode, press **[\*]** to advance to next screen. Press **[#]** to back up to the previous screen.

PROMPT	EXPLANATION
ENTER RELAY # (00=QUIT) 01	Enter the relay (output device) identification number <b>01-96</b> . This is a reference number only, used for identification purposes. The actual module address and relay number on the module are programmed in the last two prompts. Press <b>[*]</b> to continue.
02 A EV ZL ZT P STT 0 0 00 00 0	Press <b>[*]</b> to continue.
02 A ZL ZT P STOP 0 00 00 0	The keypad displays a summary STOP screen. Press <b>[*]</b> to continue.
02 RELAY ACTION NO RESPONSE 0	The Relay Action is the way in which the relay will respond when activated by the "start" event. Enter the desired action for this relay as follows: <b>0</b> =not used; <b>1</b> =close for 2 secs.; <b>2</b> =stay closed; <b>3</b> =pulse on/off; <b>4</b> = toggle on and off alternately <b>NOTE:</b> For options 1 and 4, do not program a "Stop" parameter.
02 START EVENT NOT USED 0	An output may be activated by an Event/Zone List combination, <b>and/or</b> by a Zone Type/System Operation. For an Event/Zone List combination, enter the event code as follows: <b>0</b> =not used; <b>1</b> =alarm; <b>2</b> =fault; <b>3</b> =trouble <b>NOTE: An Event is required for Zone List, Zone Number and Zone Types 17 and 18.</b> If you are not using a Zone List, Zone Number, or Zone Types 17 or 18 to activate the relay, enter <b>0</b> . Press <b>[*]</b> to continue.
02 START: ZN LIST 00	A zone list is a set of zones that can be used to initiate the start or stop relay action. If a zone list is being used to start this relay action, enter the zone list number, <b>1-15</b> . If a zone list is not being used, enter <b>0</b> . Press <b>[*]</b> to continue.
02 START: ZONE # 000	A specific zone can be used <b>instead</b> of or <b>in addition</b> to an Event/Zone List or Zone Type/System Operation combination to start the relay action. Enter the 3-digit zone number. Press <b>[*]</b> to continue.
02 START: ZN TYPE NO RESPONSE 00	A Zone Type/System Operation can be used <b>instead</b> of or <b>in addition</b> to an Event/Zone List combination or a specific zone to start the relay action. If a Zone Type/System Operation is being used, enter the 2-digit code as listed in the table that follows. Press <b>[*]</b> to continue.

### Choices for Start/Stop Zone Types and System Operations:

00 = No Response (Not Used)	22 = Disarming (Code + Off)	43 = Communication failure
01 = Entry/Exit #1	23 = No Alarm Response	44 = RF Low Battery
02 = Entry/exit #2	27 = Access Point (allows more than one relay to be controlled by activation if access point request) - Not Used	45 = Polling Loop Failure
03 = Perimeter	28 = MLB Supervision - Not Used	47 = Console Failure
04 = Interior Follower	29 = Momentary Exit - Not Used	51 = RF Receiver Failure
05 = Trouble Day/Alarm Night	30 = On Second Code + Off	52 = Kissoff
06 = 24-Hr. Silent	31 = End of Exit Time	54 = Smoke Detector Reset
07 = 24-Hr. Audible	32 = Start of Entry Time	55 = Disarm + 1 Minute
08 = 24-Hr. Auxiliary	33 = Any Burglary Alarm	56 = XX Minutes (enter XX in field 1*74) *
09 = Fire Alarm or Trouble	34 = Code + [#] + 71 Key Entry	57 = YY Seconds (enter YY in field 1*75) *
10 = Interior W/Delay	35 = Code + [#] + 72 Key Entry	58 = Duress
12 = PLM Supervision - Not Used	36 = At Bell 1 Timeout **	
13 = Remote P/S	37 = 2x Bell 1 Timeout **	60 = Audio Alarm Verification (must be selected for both START and STOP operation)
14 = CO Detector Alarm	38 = Chime	61 = Code + [#] + 67
16 = Fire With Verification	39 = Fire Alarm	62 = Bell 2 Timeout
17 = Waterflow*****	40 = Bypassing	63 = Auxiliary Relay Timeout
18 = Fire Supervisory	41 = AC Power Fail	
19 = 24-Hour Trouble	42 = System Battery Low	
20 = Arming-STAY***		
21 = Arming-AWAY*****		

\* Stop condition only

\*\* Or at disarming, whichever occurs earlier

\*\*\* The output also activates when the partition is armed in the INSTANT mode

\*\*\*\* The output also activates when the partition is armed in the MAXIMUM mode

\*\*\*\*\* Use an event of fault or alarm as the START option



If you are using options 56 and/or 57 (usually as the STOP Zone Type), you must program data fields 1\*74 and 1\*75 for the respective relay timeouts for minutes and seconds.



Do not use a zone programmed with an RF Button (Input Type BR) to STOP a relay. The system will not deactivate the relay.

PROMPT	EXPLANATION
02 STOP: ZN LIST 00	If a zone list is being used to stop this relay action, enter the zone list number, <b>1-15</b> . The <b>restore</b> of a zone on the zone list stops the relay. If a zone list is not being used, enter <b>0</b> . Press [*] to continue.
02 STOP: ZN TYPE NO RESPONSE 00	If a Zone Type/System Operation is being used to stop the relay action, enter the 2-digit code listed in the Choices for Start/Stop System Operation chart. NOTE: If a 4204CF is being used, the stop action for a NAC must be programmed as zone type 62, Bell 2 Timeout. Only one relay of the 4204CF may be used for this function. Press [*] to continue.
02 STOP: PARTN ANY PARTITION 0	This is the partition to which the stop condition will be limited. Enter <b>0</b> for any partition. Enter <b>1-2</b> for specific partition number. Press [*] to continue.
02 RELAY GROUP 00	Relays may be grouped for common activation by time-driven events (commands <b>06-10</b> ). Enter <b>00</b> (no group) or <b>01-15</b> for a specific group number. Press [*] to continue.
02 FIRE BELL 1=YES 0=NO 0	Enter <b>1</b> only if this output is to be used to activate a fire alarm sounder. Press [*] to continue.
02 RESTRICTION 1=YES 0=NO 0	The system may have some devices that are not intended to be under end user control, such as relays activating fire doors or machinery. <b>NOTE:</b> #70 must be set to yes for Commercial Fire installations. Enter <b>1</b> if the end user will be restricted from accessing this relay group. Press [*] to continue.

PROMPT	EXPLANATION
02 RELAY TYPE V-PLEX                    0	Enter <b>0</b> for V-Plex (polling loop) devices. Enter <b>1</b> for (ECP) relay modules (4204/4204CF). Press [*] to continue.
02 V-PLEX ZONE # 000	For polling loop trigger outputs (4101SN), enter the protection zone number (001-032) linked to each output, if used. Be sure to enroll the module's serial number (see Zone Programming). Press [*] to continue.
02 ECP ADDRESS 00	If you selected <b>1</b> (4204/4204CF), enter the actual module's address ( <b>01-15</b> ) as set by its DIP switches. Up to 8 4204/4204CF modules can be installed in a system. Press [*] to continue.
02 MODULE RELAY# 0	For 4204 Relay Outputs, enter the specific relay number on that module ( <b>1-4</b> ). <b>For 4204CF outputs, enter only module relay number 1 (Output A) or relay number 3 (Output B).</b> These are the only two programmable relays on the 4204CF Module. Press [*] to continue. The keypad will display the Start and Stop summary screens again. Press [*] to continue.

When all relays have been programmed, enter **00** at the "ENTER RELAY NO." prompt.

If you are defining a zone list, continue to the next section. If not, enter **00 + [\*]** at the next two prompts. You will then be asked "Quit Menu Mode?" Enter **1** for "Yes," **0** for "No." Then enter **\*99** to exit programming completely.

If supervision of the 4204CF Relay Output is desired, enter a response type for that output's corresponding supervisory zone. This is equal to 600 + [Relay ID No.]. For example, if you are programming Relay ID No. 1, the relay's supervisory zone 601. Program this zone with response type 05 (Day/Night) in *Zone Programming*.

### Zone List Programming

After all relays have been programmed, upon entering **00** at the "ENTER RELAY NO." prompt, you are asked to enter a zone list. If a zone list number was used to start or stop a relay, you must define the zones belonging to that list as follows:

PROMPT	EXPLANATION
ENTER Zn LIST ? 00=QUIT                    00	Enter the zone list number <b>01-15</b> . Enter <b>00</b> to quit.
01 ADD ZONE # 00=QUIT                    00	Using 3-digit entries enter each zone to be included in this zone list. Press [*] after you enter each zone number. When you have entered all zones, enter <b>000</b> . Press [*] to continue.
01 Del Zn LIST ? 1=YES 0=NO                0	Enter <b>0</b> to save this zone list. Enter <b>1</b> to delete it.
01 DEL ZONES ? 1=YES 0=NO                0	Enter <b>1</b> to delete one or more zones in that zone list. Enter <b>0</b> if no changes are necessary. If you enter 1, the following screen appears; otherwise, the "Enter Zone LIST" prompt reappears.
01 Zn to DELETE ? 00=QUIT                    01	Enter each zone number to be deleted from the zone list, pressing [*] after each number.
VIEW Zn LIST ? 00=QUIT                    00	This display appears if you pressed <b>00</b> at the "Enter Zone LIST" prompt. Enter the zone list number that you wish to view. Press [*] to continue.
01 ASSIGNED ZONE 00=QUIT                    00	Press [*] to scroll through all zones in that list. Enter <b>000 + [*]</b> to quit. Press <b>[1]</b> to exit Menu Mode. Press <b>*99</b> to exit Program Mode.

## Relay Voice Descriptors

Each voice descriptor can consist of up to 3 words selected from the Relay Voice Descriptors and Custom Word Substitutes Vocabulary list (later in this section).



The index numbers from this vocabulary list are to be used for relay voice descriptors only. For normal system voice annunciation (e.g., alarms, troubles, status), use the highlighted words in the alpha vocabulary list in the *Alpha Programming* part of this guide.

To enter relay voice descriptors, do the following:

1. From Data Field Programming mode, press **#93** to display the "ZONE PROG?" prompt.
2. Press **[0]** (NO) to each menu option until the "RLY VOICE DESCR?" prompt is displayed. Follow the instructions below. While in this mode, press **[\*]** to advance to next screen. Press **[#]** to back up to previous screen.

PROMPT	EXPLANATION
RLY VOICE DESCR? 1=YES 0=NO 0	Press <b>[1]</b> to program voice descriptors for relays.
ENTER RELAY NO. 00=QUIT 01	Enter the 2-digit relay number ( <b>01-32</b> ) for the relay desired, or enter <b>00</b> to quit Relay Voice Descriptor Programming Mode. Press <b>[*]</b>
01 ENTER DESC d1	From the Relay Voice Descriptors and Custom Word Substitutes Vocabulary list, enter the 3-digit index number for the first word of the relay descriptor phrase. Press <b>[*]</b> to accept entry.
01 ENTER DESC d2	From the Relay Voice Descriptors and Custom Word Substitutes Vocabulary list, enter the 3-digit index number for the second word of the relay descriptor phrase. If second word is not desired, press <b>[000]</b> . Press <b>[*]</b> to accept entry.
01 ENTER DESC d3	From the Relay Voice Descriptors and Custom Word Substitutes Vocabulary list, enter the 3-digit index number for the third word of the relay descriptor phrase. If third word is not desired, press <b>[000]</b> . Press <b>[*]</b> to accept entry. The "ENTER RELAY NO." prompt appears. Enter the next relay number to be programmed. When you have programmed all output devices, enter <b>00</b> to quit. Enter <b>*99</b> to exit Program Mode.

## Relay Voice Descriptors and Custom Word Substitutes Vocabulary

Word	Index	Word	Index	Word	Index	Word	Index	Word	Index
Air.....	116	Device.....	060	Gas.....	138	Off.....	011	Smoke.....	024
Alarm.....	255	Dim.....	163	Glass.....	139	Office.....	147	South.....	155
And.....	067	Dining.....	031	Hall.....	050	On.....	058	Stairs.....	006
Apartment.....	117	Door.....	016	Heat.....	010	One.....	070	Station.....	156
Appliances.....	161	Down.....	008	Inside.....	209	Open.....	148	Storage.....	157
Area.....	118	Downstairs.....	184	Kitchen.....	022	Outside.....	210	Sun.....	154
Attic.....	119	Driveway.....	130	Laundry.....	140	Panic.....	013	System.....	062
Back.....	121	Duct.....	131	Left.....	027	Partition.....	090	Temperature.....	158
Bar.....	122	East.....	132	Light.....	019	Patio.....	149	Third.....	159
Basement.....	021	Eight.....	077	Living.....	030	Phone.....	061	Three.....	072
Bathroom.....	051	Eighth.....	221	Loading.....	142	Power.....	063	Tool.....	213
Battery.....	053	Equipment.....	133	Lower.....	094	Pump.....	166	Two.....	071
Bedroom.....	015	Exit.....	004	Machine.....	143	Rear.....	088	Up.....	025
Blower.....	123	Factory.....	134	Master.....	144	Right.....	028	Upper.....	187
Boiler.....	124	Fence.....	135	Medical.....	014	Room.....	018	Upstairs.....	183
Bright.....	162	Fifth.....	218	Motion.....	145	's.....	007	Utility.....	185
Building.....	125	Fire.....	040	Nine.....	078	Second.....	056	West.....	215
Burglary.....	039	First.....	136	Ninth.....	222	Service.....	150	Window.....	017
Central.....	089	Five.....	074	No.....	165	Seven.....	076	Wing.....	216
Chime.....	054	Floor.....	029	North.....	146	Seventh.....	220	Zero.....	069
Closed.....	126	Four.....	073	Not.....	012	Shed.....	151	Zone.....	002
Computer.....	127	Fourth.....	217			Shop.....	152		
Console.....	066	Foyer.....	137			Side.....	153		
Den.....	052	Front.....	087			Six.....	075		
Detector.....	128	Garage.....	023			Sixth.....	219		

# System Layout Worksheets

Before programming any security system, you should first define the installation. To help you lay out a partitioned system, use the following worksheets. This will further simplify the programming process.

## PARTITIONS

Partition #	Descriptor (4-char max)	Prim. Sub. #	Sec. Sub. #	Alpha Default Message (32-character maximum)
Partition 1				
Partition 2				
Keyswitch Arming Partition Assignment (1-2):				
Wireless Keypad Partition Assignment (1-2):				
Use Partition Descriptor (yes/no)?				
Common Lobby Partition Assignment (1-2):				

## COMMUNICATION OPTIONS BY PARTITION

Option	Part. 1	Part. 2
Swinger Suppression Count 00-15; 00=no suppression		
Cancel Report After Disarm		
Dialer Reports for Panic (* + 1)		
Dialer Reports for Panic (# + 3)		
Dialer Reports for Panic (* + #)		
Dialer Reports for Duress		
Burglary Alarm Communications Delay (16 sec.)		

## SYSTEM DEFINITIONS BY PARTITION (enter values or yes/no)

Option	Part. 1	Part. 2
Entry Delay #1 (00, 30-225 seconds):		
Exit Delay #1 (00, 45-225 seconds):		
Entry Delay #2 (00, 30-225 seconds):		
Exit Delay #2 (00, 45-225 seconds):		
Quick Arming		
Multiple Alarms per Arming		
Console Panic for Zone 995 (* + 1)		
Console Panic for Zone 996 (# + 3)		
Console Panic for Zone 999 (* + #)		
Allow Sign-on (GOTO function)		
Non-Bypassable Zone (001-032)		
Bell 1 Sounder Duration (2 min. increments)		
Bell 2 & Aux Relay Sounder Duration for (2 min. incr.)		
Console Annunciation During Entry (3 beeps or continuous)		
Console Annunciation During Exit		
Bell 1 Confirmation of Arming Ding		
Bell 2 & Aux Relay 1 Confirmation of Arming Ding		
Chime on Bell 1		
Chime on Bell 2 & Aux Relay		
Access Control Relay (field 1*76)		
Affects Lobby (check partitions that apply)		
Arms Lobby (check partitions that apply)		
Display Fire Alarms of Other Partitions		
Display Burg & Panic Alarms of Other Partitions		
Display Troubles of Other Partitions		

## PRINTER OPTIONS

12- or 24-hour Time format	
Printer On-Line (yes/no)	
1200 or 300 baud Printer Baud Rate	

## EVENT LOG TYPES

Option	No	Yes
Alarm		
Trouble		
Bypass		
Open/Close		
System		
Test		



**DEVICES (keypads, 4204, rf receivers, communicator)**

Addr	Type	Part	Sound Opt	Supv CF?	House ID	Kypd Gibal		Panel ID
00.								
01.								
02.								
03.								
04.								
05.								
06.								
07.								
08.								
09.								
10.								
11.								
12.								
13.								
14.								
15.								
16.								
17.								
18.								
19.								
20.								
21.								
22.								
23.								
24.								
25.								
26.								
27.								
28.								
29.								
30.								

**Device Types:**

- 00 = Device Not Used
- 01 = Alpha Console
- 03 = RF Receiver
- 04 = Output Relay Module
- 05 = Not Used
- 06 = Communicator
- 09 = Not Used
- 10 = Not Used

**Console Sounder Options:**

- 0 = No Suppression
- 1 = Suppress Arm/Disarm and Entry/Exit Beeps
- 2 = Suppress Chime Mode Beeps Only
- 3 = Suppress Arm/Disarm, Entry/Exit and Chime Mode Beeps

**Defaults:**

Addresses 00 = Alpha Keypad; No Suppression

**ACCESS CODES and USER DEFINITIONS FOR PARTITIONS 1 and 2**

4-digit Security Code	Access Group 0; 1-8	3-Digit User #	Auth. Level	Partition 1				Partition 2						
				Open/Close	Group Bypass	RF Key	Global Arm	3-Digit User #	Auth. Level	Open/Close	Group Bypass	RF Key	Global Arm	

Authority Levels: 1=Master (arm, disarm, bypass, and/or modify lower level users)    6=Duress code (arm, disarm, triggers silent panic alarm)  
 2=Manager (arm, disarm, bypass, and/or modify lower level users)  
 3=Operator A (arm, disarm, bypass)  
 4=Operator B (arm, disarm)  
 5=Operator C (arm, disarm only if system was armed with this code)

**Defaults:**

User	4-Digits	Alpha
User 1 (Installer)	5140	INSTLR

**ZONE DEFINITION FOR ZONES 01-25**

Zone No.	Zone Type	Part 1-2	Input Type	Arm w/Fault	Vent Zone	STAY Mode	Auto-STAY	Silent	Bypass Group	Access Point	Panel ID #	Tamper	Serial # / Loop	Bell/Relay Activation	Rpt. Code	Zone Information & Alpha Descriptor (3 words max.)
1																
2																
3																
4																
5																
6																
7																
8																
9																
10																
11																
12																
13																
14																
15																
16																
17																
18																
19																
20																
21																
22																
23																
24																
25																

**ZONE DEFINITION FOR ZONES 26-32**

Zone No.	Zone Type	Part 1-2	Input Type	Arm w/Fault	Vent Zone	STAY Mode	Auto-STAY	Silent	Bypass Group	Access Point	Panel ID #	Tamper	Serial # / Loop	Bell/Relay Activation	Rpt. Code	Zone Information & Alpha Descriptor (3 words max.)	
26																	
27																	
28																	
29																	
30																	
31																	
32																	

**ZONE DEFINITIONS FOR KEYPAD PANIC ZONES 995, 996, and 999**

Zone No.	Zone Type	Enter yes/no for each partition-field *22		Bell/Relay Activation	Report Code	Zone Information and Alpha Descriptor (3 words max.)
		1	2			
995 (see note below)						
996						
999						

**NOTE:** Do Not Use Zone No. 995 in a Fire Alarm application.

**ZONE DEFINITIONS FOR SYSTEM ZONES; 970 – 975, 988, 990 and 997**

Zone No.	Zone Type	Bell/Relay Activation	Report Code	Zone Information and Alpha Descriptor (three words max.)
970				
971				
972				
973				
974				
975				
988				
990				
997				

**ZONE DEFINITIONS FOR RELAY SUPERVISORY ZONES 601-632**

<b>Zone No.</b>	<b>Zone Type</b>	<b>Report Code</b>	<b>Zone Information and Alpha Descriptor (3 words max.)</b>	<b>Zone No.</b>	<b>Zone Type</b>	<b>Report Code</b>	<b>Zone Information and Alpha Descriptor (3 words max.)</b>
601				617			
602				618			
603				619			
604				620			
605				621			
606				622			
607				623			
608				624			
609				625			
610				626			
611				627			
612				628			
613				629			
614				630			
615				631			
616				632			

**NOTE: Only the relays on 4204CF modules may be supervised. If supervision is programmed for other types of Output Devices, unpredictable results may occur.**

**ZONE DEFINITIONS FOR SUPERVISORY OF ECP DEVICE ZONES 800-830**

Zone No.	Zone Type	Report Code	Zone Information and Alpha Descriptor (3 words max.)	Zone No.	Zone Type	Report Code	Zone Information and Alpha Descriptor (3 words max.)
800				816			
801				817			
802				818			
803				819			
804				820			
805				821			
806				822			
807				823			
808				824			
809				825			
810				826			
811				827			
812				828			
813				829			
814				830			
815							

<b>Zone Types</b>			
00=zone not used	07=24-hour audible	16=fire w/verification	22=disarm
01=entry/exit 1	08=24-hour auxiliary	17=waterflow	23=no alarm response
02=entry/exit 2	09=supervised fire	18=supervisory	27=Not Used
03=perimeter	10=interior (delay)	19=24-hour trouble	28=Not Used
04=interior (follower)	12=Not Used	20=arm stay	29=Not Used
05=day/night burglary	13=remote P/S	21=arm away	
06=24-hour silent	14=CO detector alarm		

<b>Input Types</b>		<b>Bells/Auxiliary Relay Activation</b>	
00=not used	07=DIP switch-type polling loop	0=none	4=auxiliary relay
01=hardwired	08=right loop dip switch poll loop	1=bell 1	5=bell 1 and auxiliary relay
02=RF motion transmitter	09=keypad input	2=bell2	6=bell 2 and auxiliary relay
03=supervised RF transmitter	10=Not Used	3=bells 1 and 2	7=bells 1 and 2 and auxiliary relay
04=unsupervised RF transmitter	11=Not Used		
05=RF button transmitter	12=Not Used		
06=serial number polling loop	13=Not Used		

# Output Devices Worksheets

Applicable only if relays (4204/4204CF) or V-Plex are used.

**Output Devices** – Programmed in the #93 Menu Mode in the Output Programming Section. Fill in the required data on the worksheet below and follow the procedure in the installation and setup guide as you enter the data during the displays and prompts that appear in sequence.

- NOTES:**
1. For 4204/4204CF, the Device Programming section must be programmed for the device address. Set the DIP switches on the device for that address.
  2. For V-Plex, devices must be programmed in the Zone Programming section
  3. If you are using outputs on V-Plex (e.g., 4101SN) no more than 20 of the V-Plex outputs may be programmed for the same START or STOP condition. Also, if you are using ZONE # for the START of a V-Plex output and want that output to stop when the same zone restores, the STOP programming **MUST BE BLANK**.

OUTPUT DEV #	A	S T A R T				S T O P			Relay Group	Restrict	0=V-Plex 1=4204/ 4204CF	V-Plex Zone # or Dev Add 4204/4204CF	Relay # for 4204/ 4204CF
		EV/ZL	Zone	ZT / P		ZL	ZT / P						
1													
2													
3													
4													
5													
6													
7													
8													
9													
10													
11													
12													
13													
14													
15													
16													
17													
18													
19													
20													

**OUTPUT DEVICES WORKSHEET (cont'd)**

OUTPUT DEV #	A	S T A R T			S T O P			Relay Group	Restrict	0=V-Plex 1=4204/ 4204CF	V-Plex Zone # or Dev Add 4204/4204CF	Relay # for 4204/ 4204CF
		EV/ZL	Zone	ZT / P	ZL	ZT / P						
21												
22												
23												
24												
25												
26												
27												
28												
29												
30												
31												
32												
33												
34												
35												
36												
37												
38												
39												
40												
41												
42												
43												
44												
45												



**OUTPUT DEVICES WORKSHEET (cont'd)**

OUTPUT DEV #	A	S T A R T			S T O P			Relay Group	Restrict	0=V-Plex 1=4204/ 4204CF	V-Plex Zone # or Dev Add 4204/4204CF	Relay # for 4204/ 4204CF
		EV/ZL	Zone	ZT / P	ZL	ZT / P						
46												
47												
48												
49												
50												
51												
52												
53												
54												
55												
56												
57												
58												
59												
60												
61												
62												
63												
64												
65												
66												
67												
68												
69												
70												

**OUTPUT DEVICES WORKSHEET (cont'd)**

OUTPUT DEV #	A	S T A R T			S T O P			Relay Group	Restrict	0=V-Plex 1=4204/ 4204CF	V-Plex Zone # or Dev Add 4204/4204CF	Relay # for 4204/ 4204CF
		EV/ZL	Zone	ZT / P	ZL	ZT / P						
71												
72												
73												
74												
75												
76												
77												
78												
79												
80												
81												
82												
83												
84												
85												
86												
87												
88												
89												
90												
91												
92												
93												
94												
95												
96												

**A = DEVICE ACTION**

0 = No Response; 1 = Close for 2 sec; 2 = Close and stay closed; 3 = Pulse on and off; 4 = Toggle alternately between START and STOP events

**EV = EVENT**

0 = Not used; 1 = Alarm; 2 = Fault; 3 = Trouble; 4 = Restore

**ZL = ZONE LIST**

01-15, 00 = Not Used

"START" ZONE LIST: Upon alarm, fault, trouble or restore of ANY zone in this list, device action will START.

"STOP" ZONE LIST: Upon restore of ALL zones on this list, device action will STOP. It need not be same list as used for START.

**ZT = ZONE TYPE/SYSTEM OPERATION**

**Choices for Zone Type/System Operation are:**

00 = No Response (Not Used)	21 = Arming-AWAY****	41 = AC Power Fail
01 = Entry/Exit #1	22 = Disarming (Code + Off)	42 = System Battery Low
02 = Entry/exit #2	23 = No Alarm Response	43 = Communication Failure
03 = Perimeter	27 = Access Point (allows more than one relay to be controlled by activation if access point request) - Not Used	44 = RF Low Battery
04 = Interior Follower	28 = MLB Supervision - Not Used	45 = Polling Loop Failure
05 = Trouble Day/Alarm Night	29 = Momentary Exit - Not Used	47 = Console Failure
06 = 24-Hr. Silent	30 = On Second Code + Off	51 = RF Receiver Failure
07 = 24-Hr. Audible	31 = End of Exit Time	52 = Kissoff
08 = 24-Hr. Auxiliary	32 = Start of Entry Time	54 = Fire Zone Reset
09 = Fire Alarm or Trouble	33 = Any Burglary Alarm	55 = Disarm + 1 Minute
10 = Interior W/Delay		56 = XX Minutes (enter XX in field 1*74) *
12 = PLM Supervision - Not Used		57 = YY Seconds (enter YY in field 1*75) *
13 = Remote P/S	34 = Code + [#] + 71	58 = Duress
14 = CO Detector Alarm	35 = Code + [#] + 72	60 = Audio Alarm Verification (must be selected for both START and STOP operation)
16 = Fire With Verification	36 = At Bell Timeout **	61 = Code + [#] + 67
17 = Waterflow*****	37 = 2 Times Bell Timeout **	62 = Bell 2 Timeout
18 = Fire Supervisory	38 = Chime	63 = Auxiliary Relay Timeout
19 = 24-Hour Trouble	39 = Fire Alarm	
20 = Arming-STAY***	40 = Bypassing	

\* Stop condition only

\*\* Or at disarming, whichever occurs earlier

\*\*\* The output also activates when the partition is armed in the INSTANT mode

\*\*\*\* The output also activates when the partition is armed in the MAXIMUM mode

\*\*\*\*\* Use an event of fault or alarm as the START option

**P = PARTITION No.** 1-2, 0 = Any

**ZONE LISTS FOR OUTPUT DEVICES** – Programmed in the #93 Menu Mode in the Output Programming Section. Fill in the required data on the worksheet below and follow the procedure shown earlier in this *Programming Guide* as you enter the data during the displays and prompts that appear in sequence. Up to 15 zone lists may be created

**NOTE:** Record desired zone numbers below. More or fewer boxes than shown may be needed, as any list may include *any* or *all* of system's zone numbers.

**Zone List 1:** Started or stopped by zone numbers (enter 000 to end entries).

<input type="text"/>	<input type="text"/>	<input type="text"/>	<input type="text"/>	<input type="text"/>	<input type="text"/>	<input type="text"/>
<input type="text"/>	<input type="text"/>	<input type="text"/>	<input type="text"/>	<input type="text"/>	<input type="text"/>	<input type="text"/>

**Zone List 2:** Started or stopped by zone numbers (enter 000 to end entries).

<input type="text"/>	<input type="text"/>	<input type="text"/>	<input type="text"/>	<input type="text"/>	<input type="text"/>	<input type="text"/>
<input type="text"/>	<input type="text"/>	<input type="text"/>	<input type="text"/>	<input type="text"/>	<input type="text"/>	<input type="text"/>

**Zone List 3:** Started or stopped by zone numbers (enter 000 to end entries).

<input type="text"/>	<input type="text"/>	<input type="text"/>	<input type="text"/>	<input type="text"/>	<input type="text"/>	<input type="text"/>
<input type="text"/>	<input type="text"/>	<input type="text"/>	<input type="text"/>	<input type="text"/>	<input type="text"/>	<input type="text"/>

**Zone List 4:** Started or stopped by zone numbers (enter 000 to end entries).

<input type="text"/>	<input type="text"/>	<input type="text"/>	<input type="text"/>	<input type="text"/>	<input type="text"/>	<input type="text"/>
<input type="text"/>	<input type="text"/>	<input type="text"/>	<input type="text"/>	<input type="text"/>	<input type="text"/>	<input type="text"/>

**Zone List 5:** Started or stopped by zone numbers (enter 000 to end entries).


**Zone List 6:** Started or stopped by zone numbers (enter 000 to end entries).


**Zone List 7:** Started or stopped by zone numbers (enter 000 to end entries).


**Zone List 8:** Started or stopped by zone numbers (enter 000 to end entries).


**Zone List 9:** Started or stopped by zone numbers (enter 000 to end entries).


**Zone List 10:** Started or stopped by zone numbers (enter 000 to end entries).


**Zone List 11:** Started or stopped by zone numbers (enter 000 to end entries).


**Zone List 12:** Started or stopped by zone numbers (enter 000 to end entries).


**Zone List 13:** Started or stopped by zone numbers (enter 000 to end entries).


**Zone List 14:** Started or stopped by zone numbers (enter 000 to end entries).


**Zone List 15:** Started or stopped by zone numbers (enter 000 to end entries).


## Scheduling Menu Prompts

To program schedules, enter Scheduling program mode by pressing **[User Code] + # + 80** to display the first choice of the menu driven programming functions. **NOTE:** Only users with an Installer or Master level user code may enter the #80 mode. Press **0** (NO) or **1** (YES) in response to the displayed menu selection. Pressing **0** will display the next choice in sequence. Menu selections are as follows:

PROMPT	EXPLANATION
<div style="border: 1px solid black; padding: 2px;">                     Time Window ?                      1 = YES 0 = NO 0                 </div>	For defining up to 20 time windows each with a start and a stop time programmed by entering the hours and minutes.
<div style="border: 1px solid black; padding: 2px;">                     O/C Schedules ?                      1 = YES 0 = NO 0                 </div>	For defining the daily open and close schedules for the 2 partitions. Each partition can be programmed with an opening and closing window for each day of the week and holidays.
<div style="border: 1px solid black; padding: 2px;">                     Holidays ?                      1 = YES 0 = NO 0                 </div>	For defining up to 16 holidays for which partitions they apply.
<div style="border: 1px solid black; padding: 2px;">                     Timed Events ?                      1 = YES 0 = NO 0                 </div>	For defining up to 20 time driven events with the following parameters: <ul style="list-style-type: none"> <li>• Time window</li> <li>• Action desired</li> <li>• Action specifier</li> <li>• Activation time</li> <li>• Days of the week</li> </ul>
<div style="border: 1px solid black; padding: 2px;">                     Access Sched. ?                      1 = YES 0 = NO 0                 </div>	For defining the limitation of access schedules for the user codes. Each schedule can be programmed with two windows for each day of the week and holidays

### #80 and #81 MENU MODE KEY COMMANDS

The following is a list of commands used while in the Menu mode.

#80 or #81	Enters Menu mode.
[*]	Serves as ENTER key. Press to have keypad accept entry.
[#]	Backs up to previous screen.
0	Press to answer NO.
1	Press to answer YES.
01-09	All data entries are either 2-digit entries.
00	Exits Menu mode, returns to normal operation mode when entered at the first question for each category.

## Scheduling Worksheets

**Time Windows Definitions Worksheet.** The system provides 20 time windows that are defined with start and stop times. They are programmed in the #80 Menu Mode. Fill in the required data on the worksheet below and follow the procedure in the installation and setup guide as you enter the data during the displays and prompts that appear in sequence.

Time Window Number	Start Time (HH:MM)	Stop Time (HH:MM)
1		
2		
3		
4		
5		
6		
7		
8		
9		
10		
11		
12		
13		
14		
15		
16		
17		
18		
19		
20		

(Keep this worksheet handy, as you will be asked for a given time window number later in this section.)



Because the time windows are shared among both partitions, it is important to make sure that changing a time window does not adversely affect desired actions in the other partition.

**Daily Open/Close Schedule Worksheet:** Using the time windows previously defined, fill in the required data on the worksheet below and follow the procedure in the installation and setup guide as you enter the data during the displays and prompts that appear in sequence.

Part	Mon		Tues		Wed		Thur		Fri		Sat		Sun		Hol	
	Op	Cl	Op	Cl	Op	Cl	Op	Cl	Op	Cl	Op	Cl	Op	Cl	Op	Cl
1																
2																

**Holiday Schedule Worksheet:** The system provides up to 16 holidays that can be assigned for the system. Each holiday can be assigned to any combination of partitions. Fill in the required data on the worksheet below and follow the procedure in the installation and setup guide as you enter the data during the displays and prompts that appear in sequence.

HOL	Partition		
	Month/Day	1	2
1	/		
2	/		
3	/		
4	/		
5	/		
6	/		
7	/		
8	/		
9	/		
10	/		
11	/		
12	/		
13	/		
14	/		
15	/		
16	/		

**Time-Driven Event Worksheet:** The system provides up to 20 time-driven events that can be programmed for the system. Fill in the required data on the worksheet below and follow the procedure in the installation and setup guide as you enter the data during the displays and prompts that appear in sequence.

Sched Num.	Time Window	Day(s)										Action Desired	Action Specifier	Activation Time
		M	T	W	T	F	S	S	H					
1														
2														
3														
4														
5														
6														
7														
8														
9														
10														
11														
12														
13														
14														
15														
16														
17														
18														
19														
20														

**Automatic Refresh:** The system automatically updates the status of all Time-Driven Events upon any of the following occurrences:

- Changing of the time or date via #63 mode
- Exiting #80 Scheduling Menu mode
- Exiting Program mode
- After a disconnect from the downloader
- On a power-up
- At Daylight Saving Time adjustment.

Below is a list of the "Action" codes (desired actions) used when programming time-driven events. Note that these codes are independent of the "relay codes" programmed during the #93 Menu Mode—Output Programming mode. **If using Time-Driven Events, the following menu items must first be programmed using #93 Menu Mode - Output Programming:**

Enter Relay No. (reference identification number)	Zone No. (V-Plex)
Relay Group (if applicable)	ECP Address (4204/4204CF)
Restriction	Relay No. (4204/4204CF)
Relay Type (V-Plex or 4204/4204CF)	

**Relay commands:**

Action Specifier for commands 01-05 is Relay No.; Action Specifier for commands 06-10 is Relay Group No.

- |  |  |
|--|--|
| 01 = Relay On                                  | 02 = Relay Off                                 |
| 03 = Relay Close for 2 seconds                 | 04 = Relay Close XX minutes (field 1*74)       |
| 05 = Relay Close YY seconds (field 1*75)       | 06 = Relay Group On                            |
| 07 = Relay Group Off                           | 08 = Relay Group Close for 2 seconds           |
| 09 = Relay Group Close XX minutes (field 1*74) | 10 = Relay Group Close YY seconds (field 1*75) |

**Arm/Disarm commands:**

Action Specifier for commands 20-24 is Partition(s). Activation times 1 (Beginning), 2 (End), 3 (During), 5 (Random Start), 6 (Random End), 7 (Random During) are the only valid choices for auto-arming and disarming functions.

- |   |   |
|---|---|
| 20 = Arm-Stay                                 | 21 = Arm Away                                 |
| 22 = Disarm                                   | 23 = Force Arm Stay (Auto-bypass faulted zns) |
| 24 = Force Arm Away (Auto-bypass faulted zns) |   |

**Bypass commands:**

Action Specifier for commands 30-31 is Zone List #, Activation times 1 (Beginning), 2 (End), 3 (During) are the only valid choices for bypass commands.

- |                              |                                |
|------------------------------|--------------------------------|
| 30 = Auto bypass - Zone list | 31 = Auto unbypass - Zone list |
|------------------------------|--------------------------------|

**Open/Close Windows:**

Action Specifier for commands 40-41 is Partition(s), for 42 is Access Group and for 50 no specifier is programmed.

Activation time 3 (During) is the only valid choices for these commands.

- |   |                            |                           |
|---|----------------------------|---------------------------|
| 40 = Enable Opening Window  | 41 = Enable Closing Window | 42 = Enable Access Window |
| 50 = Off-Normal Reminder (Starts local keypad beeping if off-normal condition exists) |                            |                           |



**Activation time:**

Refers to when the action is to take place relative to the time window.

- 1 = Beginning of time window
- 2 = End of time window
- 3 = During time window active period only (On at beginning of window, off at end).

**Limitation of Access Worksheet** The system provides up to 8 Access Schedules that can be programmed for the system. Fill in the required data on the worksheet below and follow the procedure in the installation and set guide as you enter the data during the displays and prompts that appear in sequence.

Acc Sch	Mon		Tues		Wed		Thurs		Fri		Sat		Sun		Hol	
	W1	W2	W1	W2	W1	W2	W1	W2	W1	W2	W1	W2	W1	W2	W1	W2
1																
2																
3																
4																
5																
6																
7																
8																

**Temporary Schedule #81 Menu Mode.** The system provides a Temporary Schedule for each partition. Enter the temporary scheduling mode by pressing [Installer Code] + [#] + [81]. Fill in the required data on the worksheet below and follow the procedure in the installation and setup guide as you enter the data during the displays and prompts that appear in sequence.

Partition/Windows		Mon	Tue	Wed	Thu	Fri	Sat	Sun
1	<b>Disarm Window</b>							
	Start Time HH:MM							
	Stop Time HH:MM							
	<b>Arm Window</b>							
	Start Time HH:MM							
	Stop Time HH:MM							
2	<b>Disarm Window</b>							
	Start Time HH:MM							
	Stop Time HH:MM							
	<b>Arm Window</b>							
	Start Time HH:MM							
	Stop Time HH:MM							

# NOTES

# NOTES

# NOTES

# NOTES

# NOTES

# COMMERCIAL PROTECTED PREMISE CONTROL UNIT

FOR DRY, INDOOR USE ONLY

## WARNING:

This unit includes a Fire Alarm Verification feature that will result in a delay of the System Alarm Signal from the indicated Fire Alarm circuits. The total delay (Control Unit plus Smoke Detectors) shall not exceed 60 seconds. No other Smoke Detector shall be connected to these circuits unless approved by the local authority having jurisdiction.

Circuit (Zone)	Control Unit Delay, Seconds	Smoke Detector Model	Delay, Seconds
Zone 1	8 Seconds		
Zone 2	8 Seconds		
Aux Relay	8 Seconds		
Polling Loop	8 Seconds		

THE DELAY TIME MARKED ON THE INSTALLED DETECTOR(S) IS TO BE USED.

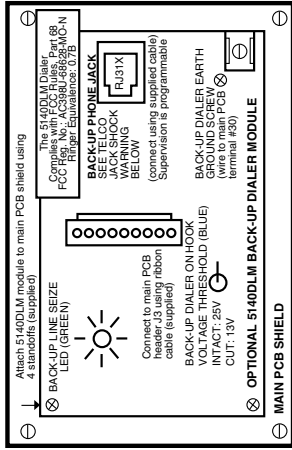
This equipment should be installed in accordance with the National Fire Protection Association's Standard 72 (National Fire Protection Assoc., Batterymarch Park, Quincy, MA, 02169). Printed information describing proper installation, operation, testing, maintenance and repair service is to be provided with this equipment.

NOTE: As shipped, Vista-32FB is suitable for UL Commercial Fire Installations. Cabinet supports up to 14AH Batteries. Use Vista-ULKIT Cabinet Kit to house up to 34-AH Batteries. Also use this kit along with 1431 Transformer for UL Listed Commercial Burglary Installations.

# TEST BURGLARY SYSTEM WEEKLY

## TYPES OF FIRE SIGNALING SERVICE:

Manual fire alarm, automatic fire alarm, sprinkler supervisory and waterflow alarm. UL Listed local control (non-coded). UL Listed central station and remote station protected premises unit when used with 5140DLM back-up dialer module. Installation limits under jurisdiction of local authority.



## J2 VOLTAGE TRIGGERS

- See manual for use and programming (default functions shown)
- OUT 4 (SILENT PANIC/DURESS)
- OUT 5 (SILENT BURGLARY/ADDITIONAL PANIC)
- OUT 6 (SUPERVISORY)
- OUT 7 (REMOTE KEYPAD SOUNDER)
- OUT 1 (OPEN/CLOSE)
- IN 1 (NO LOOP)
- IN 2 (NO LOOP)
- RATINGS: OUT 1, 5, 7, 9: 1A TO GROUND HIGH: 10-14VDC, 20mA MAX OTHER OUTS: LOW: 1K TO GROUND HIGH: 10-14VDC, 10mA MAX

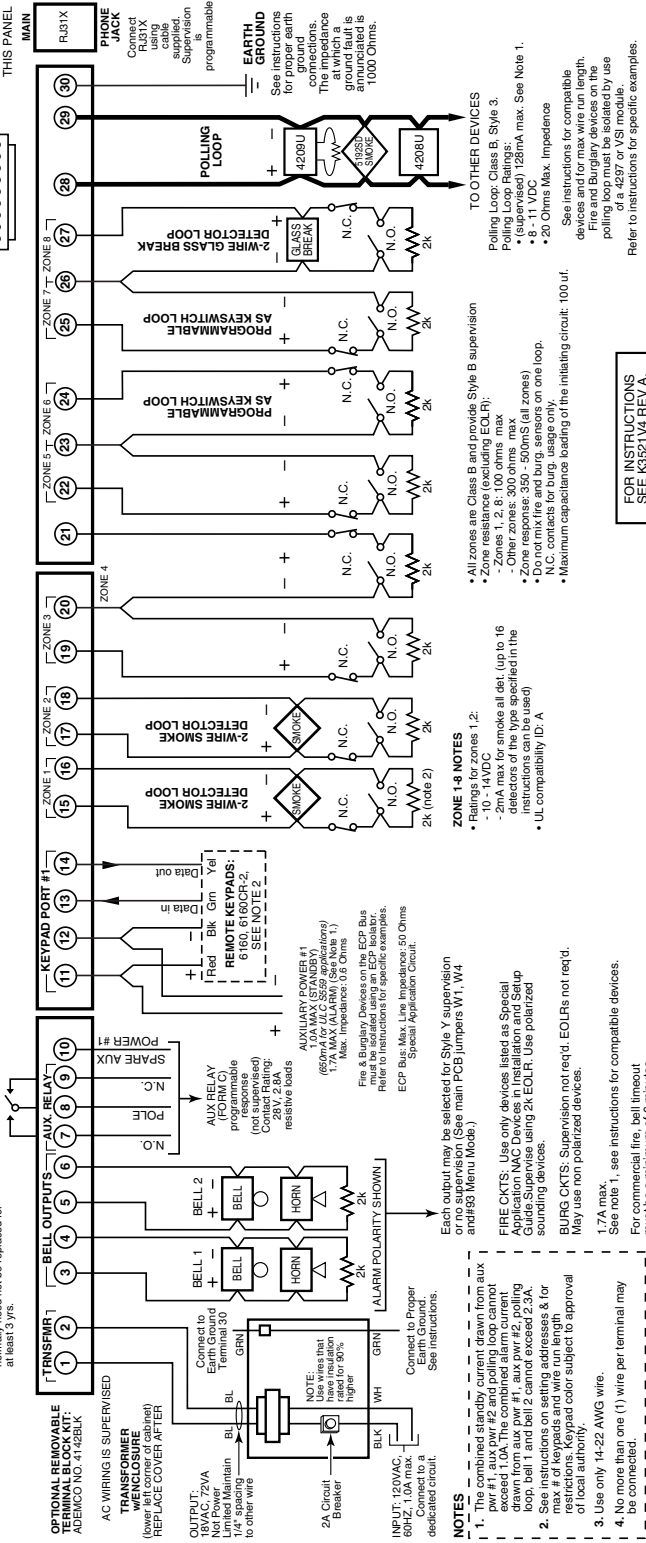
## VOLTAGE TRIGGERS



NOTE: J2 Voltage Triggers are for burglary use only. Do not use for fire or alarm tripping applications. NOTE: Trigger Wiring must be run in conduit within 20ft of the Control Panel.



## KEYPAD PORT #2



# ADEMCO VISTA-32FB SUMMARY OF CONNECTIONS

The Main Dialer Complies with FCC Rules, Part 68  
 FCC Reg. No.: AC398U-68192-AL-E  
 Ringer Equivalence: 0.7B

V32FB-SOCV5

# Honeywell

**2 Corporate Center Drive, Suite 100**  
**P.O. Box 9040, Melville, NY 11747**  
Copyright © 2009 Honeywell International Inc.

[www.honeywell.com/security](http://www.honeywell.com/security)



**K3840V5 10/09 Rev B**