



April 8, 2005

DN-3756 • G-154

CRT-2 Keyboard and Monitor

Section: Peripheral Devices

GENERAL

The CRT-2 Terminal provides an extremely practical and attractive method of displaying system events and activity reports for the AM2020, AFP1010, NFS-640, AFC-600, AFP-400, AFP-300, and AFP-200 intelligent fire alarm control systems, or the intelligent network annunciators INA or NCA for **NOTI-FIRE-NET™**. The CRT-2 keyboard may be used to program the AM2020/AFP1010 system, change the status (on or off) of controlled outputs, or to acknowledge, silence, and reset the control panel.

With the NFS-640, AFP-400, AFP-300, and AFP-200, the CRT-2 can control and view events, point and history reports, control the system (acknowledge, signal silence, and reset), and change important system operating parameters, such as: Enable/Disable of addressable points, change alarm and pre-alarm sensitivities, clear verification counters, clear history, and set the pre-alarm action level. With the NCA (Network Control Annunciator), the CRT-2 can perform Acknowledge, Silence, and Reset.

FEATURES

- Auto-sensing power supply.
- NOTIFIER keyboard layout.
- Up to 25 CRTs per system.
- The CRT-2 complies with the Swedish magnetic emission and x-radiation guidelines MPR 1990:10.

CRT-2 OPERATION

The CRT-2 in the "All Systems Normal" mode indicates the custom 40-character message that is displayed on the control panel with a time and date indication. When an alarm or trouble is received by the control, the CRT-2 moves the "All Systems Normal" message up on the screen display and new custom messages are displayed at the bottom of the screen with a time-and-date indication. An optional (programmed by the control panel) terminal status line may be displayed at the far bottom of the screen. This line indicates a count on each of the following events: new alarms, total alarms, new troubles, and total troubles.

The keyboard and monitor are two separate parts joined by a telephone-style coiled cord. The monitor provides an auxiliary port which may be used to connect one or more additional monitors connected in "daisy-chain" fashion. Up to 25 CRTs may be connected in this fashion.

The CRT-2 keyboard may be disconnected and held in a secure place during unattended periods. The first CRT-2 may be located up to 50 feet (15.24 m) from the control panel. The CRT-2 is connected electrically to the serial interface via the EIA port on the CRT-2 using cable specified in the control panel *Installation Instruction Manual*.



MEA
261-93-E
17-96-E
447-99-E
317-01-E



California
State Fire
Marshal
7165-0028:141
7165-0028:164
7165-0028:181
7165-0028: 214
7170-0028: 153
7170-0028: 182
7170-0028: 216



U.S. Coast Guard
161.002/23/3 (AFP-200)
161.002/27/3 (AM2020)



IMPORTANT NOTE: Provision for battery backup of primary power is NOT provided. If CRT-2 operation is required during failure of primary power, then a separate Uninterruptable Power Supply (UPS) is required.

SPECIFICATIONS

Display Screen

- 14-inch (35.56 cm), flat-screen CRT.
- White phosphor.
- Fully overscanned video.
- Tilt and swivel adjustments.

Display Format

- 26 lines, 80 columns.

TPI-232/Standard EIA-232 Interfaces

- Separate EIA-232 Transmit and Receive LEDs.
- EIA-232 protocol: 2400 baud, 7/8 data bits, 1 stop bit, even/no parity.

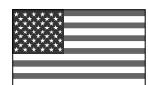
NOTI-FIRE-NET™ is a trademark of NOTIFIER, 1994.

NOTIFIER® is a Honeywell company.

This document is not intended to be used for installation purposes. We try to keep our product information up-to-date and accurate. We cannot cover all specific applications or anticipate all requirements. All specifications are subject to change without notice. For more information, contact **NOTIFIER**. Phone: (203) 484-7161 FAX: (203) 484-7118



12 Clintonville Road, Northford, Connecticut 06472



Made in the U.S.A.

Ergonomics

- 14" (35.56 cm) flat face, reduced glare, high-resolution screen.
- Page white phosphor.
- Conveniently located contrast, brightness and power controls.
- Fully adjustable tilt and swivel.

Display Features

- 26 lines.
- 80 columns.
- Smooth scrolling.

Emulation

- NOTIFIER CRT-2.

Keyboard

- NOTIFIER 107-key keyboard with programmed function keys.

Communications

- Serial EIA-232 ports.
- Parallel printer port: Centronics® parallel cable compatible. Information displayed on the terminal may be manually directed to this port for printing on a standard printer equipped with a parallel interface.

Environmental

Operating temperature range: 50° to 104°F (10° to 40°C).

Operating altitude range: 0 to 20,000 ft. (0 to 6,600 m).

Storage temperature range: 32°F to 95°F (0°C to 50°C).

Humidity range: 10 – 95% RH, non-condensing.

Power requirements: voltage 115/230 VAC; frequency 50/60 Hz; current 0.5/0.2 A.

Physical Dimensions

	Display Unit	NOTIFIER Keyboard
Length	13.0" (33.020 cm)	19.0" (48.260 cm)
Width	12.5" (31.750 cm)	7.4" (18.796 cm)
Height	13.4" (34.036 cm)	2.0" (5.080 cm)
Weight	16.9 lbs. (7.666 kg)	3.7 lbs. (1.678 kg)
Shipping Weight for both items shipped together: 22.0 lbs. (10 kg)		

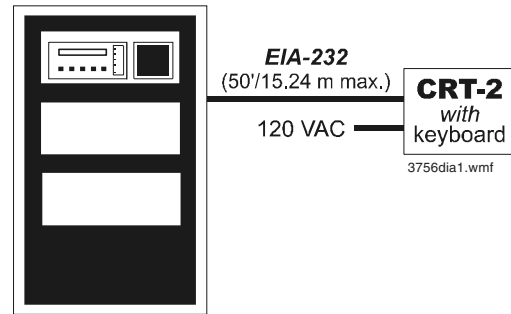
3756dim1.tbl

PRODUCT LINE INFORMATION

CRT-2 Keyboard and monitor.
120 – 240 VAC, 50/60 Hz.

TPI-232 EIA-232 modem board, UL listed. *Other components of the TPI-232 modem assembly described in data sheet DN-5728.*

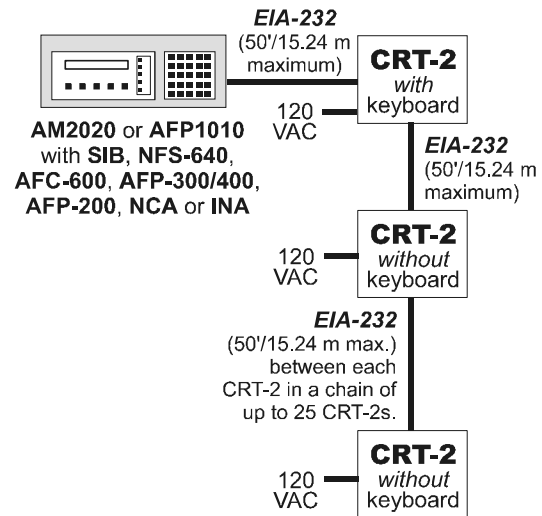
Control Panel to Single CRT-2



3756dia1.wmf

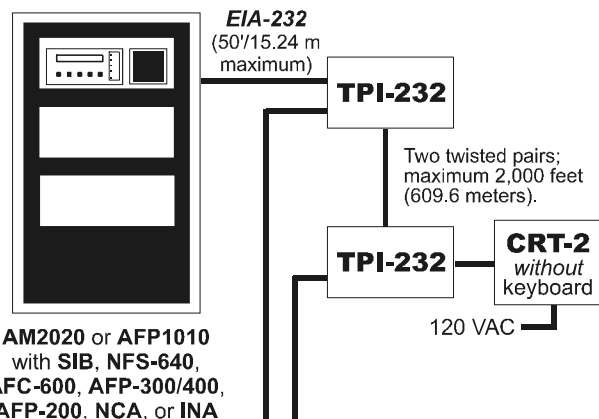
AM2020 or AFP1010 with SIB,
NFS-640, AFC-600, AFP-300/400,
AFP-200, NCA, or INA

Control Panel to Multiple CRT-2s



3756dia2.wmf

Control Panel to CRT-2 via TPI-232 Modems



AM2020 or AFP1010
with SIB, NFS-640,
AFC-600, AFP-300/400,
AFP-200, NCA, or INA

8.25 to 32 VDC
or 120 VAC with TPI-ACDC

3756dia3.wmf